

Oakland City Planning Commission

Case File Nos. PLN18027 / PLN18185

STAFF REPORT

May 16, 2018

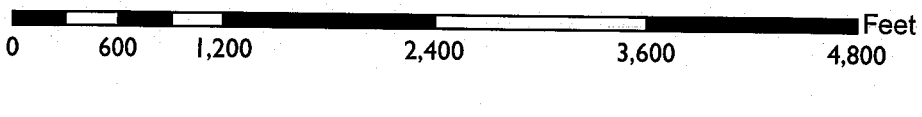
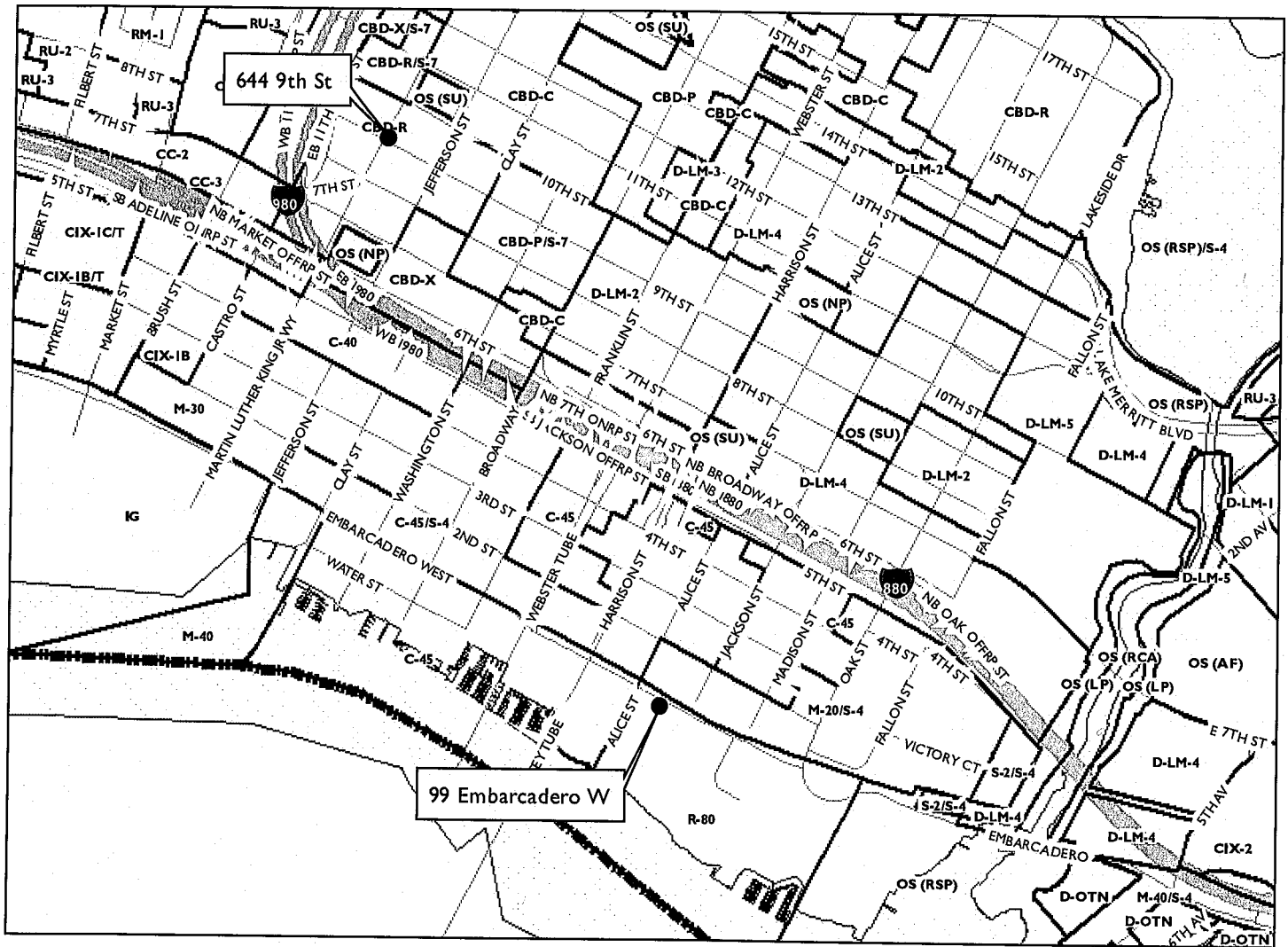
Locations:	City street light pole in public right-of-way (sidewalk) adjacent to: 1) Case no. PLN18027; 644 9 th St, along Martin Luther King Jr Wy (APN: 002 002501500); Zoning: CBD-R Central Business District Residential; General Plan: Central Business District; Submitted: 1/12/18 2) Case no. PLN18185; 99 Embarcadero West (APN: 018 042500240); Zoning: R-80 High Rise Apartment Residential Zone; Estuary Plan: Waterfront Mixed Use; Submitted: 4/23/18 Council District: 3 <i>(see reverse for map)</i>
Proposal:	To consider requests for two (2) applications to install new "small cell site" Monopole Telecommunications Facilities on existing City street light poles by attaching an antenna and equipment to the pole.
Applicant / Phone Number:	James Singleton for Mobilitie / (650) 814-0564
Owner:	City of Oakland
Planning Permits Required:	Major Conditional Use Permit and Regular Design Review with additional findings for Monopole Telecommunications Facility in a Residential Zone; Minor Variance for monopole not meeting 1:1 height / setback requirement to residential property line
Environmental Determination:	Exempt, Section 15301 of the State CEQA Guidelines: Existing Facilities; Exempt, Section 15302: Replacement or Reconstruction; Exempt, Section 15303: New Construction of Small Structures; Section 15183: Projects Consistent with a Community Plan, General Plan or Zoning
Historic Status:	Non-historic properties
Action to be Taken:	Approve with Conditions
Finality of Decision:	<i>Appealable to City Council</i>
For Further Information:	Contact case planner Aubrey Rose AICP at (510) 238-2071 or by email at arose@oaklandnet.com

EXECUTIVE SUMMARY

The applicant requests Planning Commission approval to establish two (2) small cell wireless telecommunication facility sites on existing City street light poles located on the public rights-of-way (sidewalk) in residential neighborhoods. The project involves attaching an antenna within a shroud to the top of the pole and equipment mounted to the side of the pole, as described in the submitted plans, to enhance wireless services in those areas.

Regular Design Review and a Major Conditional Use Permit decided by the Planning Commission, each with additional findings, are required for the installation of a new Monopole Telecommunications Facility in a residential zone. Additionally, a Minor Variance is required for a Monopole directly adjacent to a residential property line. The proposed project, antenna and associated equipment, would be similar to other facilities around the City. The proposed telecommunication facilities are, therefore, at appropriate locations, and, would not significantly increase negative visual impacts to adjacent neighboring residential

CITY OF OAKLAND PLANNING COMMISSION



Case Files: PLN18027, PLN18185
 Applicant: James Singleton for Mobilitie
 Addresses: 644 9th St, 99 Embarcadero W
 Zones: CBD-R, R-80

properties. The project, therefore, meets all the required findings for approval of these two (2) small cell sites.

TELECOMMUNICATIONS BACKGROUND

Limitations on Local Government Zoning Authority under the Telecommunications Act of 1996

Section 704 of the Telecommunications Act of 1996 (TCA) provides federal standards for the siting of "Personal Wireless Services Facilities." "Personal Wireless Services" include all commercial mobile services (including personal communications services (PCS), cellular radio mobile services, and paging); unlicensed wireless services; and common carrier wireless exchange access services. Under Section 704, local zoning authority over personal wireless services is preserved such that the FCC is prevented from preempting local land use decisions; however, local government zoning decisions are still restricted by several provisions of federal law. Specifically:

- Under Section 253 of the TCA, no state or local regulation or other legal requirement can prohibit or have the effect of prohibiting the ability of any entity to provide any interstate or intrastate telecommunications service.
- Further, Section 704 of the TCA imposes limitations on what local and state governments can do. Section 704 prohibits any state and local government action which unreasonably discriminates among personal wireless providers. Local governments must ensure that its wireless ordinance does not contain requirements in the form of regulatory terms or fees which may have the "effect" of prohibiting the placement, construction, or modification of personal wireless services.
- Section 704 also preempts any local zoning regulation purporting to regulate the placement, construction and modification of personal wireless service facilities on the basis, either directly or indirectly, on the environmental effects of radio frequency emissions (RF) of such facilities, which otherwise comply with Federal Communications Commission (FCC) standards in this regard. (See 47 U.S.C. Section 332(c)(7)(B)(iv) (1996)). This means that local authorities may not regulate the siting or construction of personal wireless facilities based on RF standards that are more stringent than those promulgated by the FCC.
- Section 704 mandates that local governments act upon personal wireless service facility siting applications to place, construct, or modify a facility within a reasonable time (See 47 U.S.C.332(c)(7)(B)(ii) and FCC Shot Clock ruling setting forth "reasonable time" standards for applications deemed complete).
- Section 704 also mandates that the FCC provide technical support to local governments in order to encourage them to make property, rights-of-way, and easements under their jurisdiction available

for the placement of new spectrum-based telecommunications services. This proceeding is currently at the comment stage.

For more information on the FCC's jurisdiction in this area, consult the following:

Competition & Infrastructure Policy Division (CIPD) of the Wireless Telecommunications Bureau, main division number: (202) 418-1310. <https://www.fcc.gov/general/competition-infrastructure-policy-division-wireless-telecommunications-bureau>

PROPERTY DESCRIPTION

Both sites consist of metal Cobra head-style City street light poles measuring 26'-3" in height. They are located in the sidewalk towards the curb, and are near corners at street intersections. Following are site-specific descriptions:

1) Case no. PLN18027; 644 9th Street, along Martin Luther King Jr Way: the pole is situated along the side of a two-story residence with side yard and fence; the intersection consists of residences, with Old Oakland to the east;

2) Case no. PLN18185; 99 Embarcadero West: the pole is situated along the side of The Landing at Jack London Square residential complex consisting of four-story building with ground floor parking, towards a promenade running between buildings; across the street is a railroad right-of-way, with Jack London Square to the west.

PROJECT DESCRIPTION

Both sites are proposed for:

- Installation by top-mounting one panel antenna within a shroud above the street light to extend to 30'-9" in height;
- Installation of side-mounted equipment below the street light at 16'-6" to 19'-5" in height;
- Paint and texturize the proposed antennas and associated equipment to better-match the appearance of the pole.

No portion of the telecommunication facilities would be located at grade. The proposed antenna and associated equipment would not be accessible to the public.

SIMILAR CASES

Records show that the Planning Commission has approved numerous Monopole Telecommunications Facilities requiring Design Review and Conditional Use Permits including several Variances throughout the City since 2016.

GENERAL PLAN ANALYSIS

Site #1 is located in the Central Business District area under the General Plan's Land Use and Transportation Element (LUTE). This classification is intended to *"to encourage, support, and enhance the downtown areas as a high density mixed use urban center of regional importance and a primary hub for business, communications, office, government, high technology, retail, entertainment, and transportation in Northern California."* Site # 2 is in the Waterfront Mixed Use District under the Estuary Plan. The intent of the area

is to: *“Allow for a mixture of uses the complement the waterfront setting, and maintains and enhances views and public access to the waterfront.”* The proposed telecommunication facilities would be mounted on existing City street light poles within the public right-of-way. The proposed unmanned wireless telecommunication facility would not adversely affect the characteristics of the neighborhood.

ZONING ANALYSIS

The proposed telecommunication facilities are located within the CBD-R Central Business District Residential and R-80 High Rise Apartment Residential Zones, respectively. Monopole Telecommunications Facilities on City light poles require a Conditional Use Permit and a Regular Design Review with additional findings; these permits are decided by the Planning Commission for sites located within residential zones. Additionally, Monopoles must be set back from property lines a distance equal to or greater than their height; this standard is not met by the proposals, and a Minor Variance is, therefore, also required for the projects.

New wireless telecommunications facilities may also be subject to a Site Alternatives Analysis, Site Design Alternatives Analysis, and are subject to a satisfactory radio-frequency (RF) emissions report. Staff analyzes the proposals in consideration of these requirements in the ‘Key Issues and Impacts’ section of this report. Additionally, attachment to City infrastructure requires review by the City’s Real Estate Department, Public Works Agency’s Electrical Division, and Information Technology Department. Given customers increasing reliance upon cellular service for phone and Wi-Fi, the proposal for a Monopole Telecommunications Facility that is not adjacent to a primary living space or historic structure conforms to this intent.

ENVIRONMENTAL DETERMINATION

The California Environmental Quality Act (CEQA) Guidelines list the projects that qualify as categorical exemptions from environmental review. The proposed project is categorically exempt from the environmental review requirements pursuant to Section 15301, minor additions and alterations to an existing City street light pole; Section 15302, replacement or reconstruction of existing utility systems and/or facilities; Section 15303, new construction or conversion of small structures, and Section 15183, projects consistent with the General Plan or Zoning.

KEY ISSUES AND IMPACTS

The proposal to establish a Monopole Telecommunications Facility is subject to the following Planning Code development standards, which are followed by staff’s analysis in relation to this application:

17.128.080 Monopole Telecommunications Facilities.

A. General Development Standards for Monopole Telecommunications Facilities.

1. Applicant and owner shall allow other future wireless communications companies including public and quasi-public agencies using similar technology to collocate antenna equipment and facilities on the monopole unless specific technical or other constraints, subject to independent verification, at the applicant's expense, at the discretion of the City of Oakland Zoning Manager, prohibit said collocation. Applicant and other wireless carriers shall provide a mechanism for the construction and maintenance of shared facilities and infrastructure and shall provide for equitable

sharing of cost in accordance with industry standards. Construction of future facilities shall not interrupt or interfere with the continuous operation of applicant's facilities.

The proposal involves use of an existing City of Oakland metal street light pole that would remain available for future collocation purposes, as practicable.

2. The equipment shelter or cabinet must be concealed from public view or made compatible with the architecture of the surrounding structures or placed underground. The shelter or cabinet must be regularly maintained.

Recommended conditions of approval require painting and texturing the antenna and equipment to match the appearance of the metal pole. There is no equipment shelter or cabinet proposed; however, minimal equipment would be closely mounted onto the side of the metal pole.

3. When a monopole is in a Residential Zone or adjacent to a residential use, it must be set back from the nearest residential lot line a distance at least equal to its total height.

This standard is not met by either proposal, and a Minor Variance is, therefore, required for each; the existing 26'-3" tall City light poles proposed for 30'-9" are not set back at least 30'-9" from nearest residential lot lines. Necessary criteria for approval can be met, as new appurtenances should not be viewed from the residence and no new poles are involved, as described in Attachment A to this report.

4. In all zones other than the D-CE-5, D-CE-6, IG, CIX-2, and IO Zones, the maximum height of Monopole Telecommunications Facilities and connecting appurtenances may be increased from the otherwise required maximum height to forty-five (45) feet upon the granting of a Conditional Use Permit (see Chapter 17.134 for the Conditional Use Permit Procedure).

This requirement does not apply; the subject property is not located in any of the described zoning districts. Nonetheless, the facility would not exceed the height of 30'-9".

5. In the D-CE-5, D-CE-6, CIX-2, and IO Zones, the maximum height of Monopole Telecommunications Facilities and connecting appurtenances may be increased from the otherwise required maximum height to eighty (80) feet upon the granting of a Conditional Use Permit (see Chapter 17.134 for the Conditional Use Permit Procedure).

This requirement does not apply; the subject property is not located in any of the described zoning districts. Nonetheless, the facility would not exceed the height of 30'-9".

6. In the IG Zone, the maximum height of Monopole Telecommunications Facilities and connecting appurtenances may reach a height of forty-five (45) feet. These facilities may reach a height of

eighty (80) feet upon the granting of Regular Design Review approval (see Chapter 17.136 for the Design Review Procedure).

This requirement does not apply; the subject property is not located in the described zoning district. Nonetheless, the facility would not exceed the height of 30'-9".

7. The applicant shall submit written documentation demonstrating that the emissions from the proposed project are within the limits set by the Federal Communications Commission.

This standard is met by the proposal; a satisfactory emissions report has been submitted and is attached to this report (Attachments C & D).

8. Antennas may not extend more than fifteen (15) feet above their supporting structure.

The proposed antenna would project less than fifteen feet above the City light pole.

17.128.110 Site location preferences.

New wireless facilities shall generally be located on the following properties or facilities in order of preference:

- A. Co-located on an existing structure or facility with existing wireless antennas.**
- B. City-owned properties or other public or quasi-public facilities.**
- C. Existing commercial or industrial structures in Nonresidential Zones (excluding all HBX Zones and the D-CE-3 and D-CE-4 Zones).**
- D. Existing commercial or industrial structures in Residential Zones, HBX Zones, or the DCE-3 or D-CE-4 Zones.**
- E. Other Nonresidential uses in Residential Zones, HBX Zones, or the D-CE-3 or D-CE-4 Zones.**
- F. Residential uses in Nonresidential Zones (excluding all HBX Zones and the D-CE-3 and D-CE-4 Zones).**
- G. Residential uses in Residential Zones, HBX Zones, or the D-CE-3 or D-CE-4 Zones.**

Facilities locating on an A, B or C ranked preference do not require a site alternatives analysis.

Facilities proposing to locate on a D through G ranked preference, inclusive, must submit a site alternatives analysis as part of the required application materials. A site alternatives analysis shall, at a minimum, consist of:

- a. The identification of all A, B and C ranked preference sites within one thousand (1,000) feet of the proposed location. If more than three (3) sites in each preference order exist, the three such closest to the proposed location shall be required.**
- b. Written evidence indicating why each such identified alternative cannot be used. Such evidence shall be in sufficient detail that independent verification, at the applicant's expense, could be obtained if required by the City of Oakland Zoning Manager. Evidence should indicate if the reason an alternative was**

rejected was technical (e.g. incorrect height, interference from existing RF sources, inability to cover required area) or for other concerns (e.g. refusal to lease, inability to provide utilities).

A site alternatives analysis is not required because the proposal conforms to 'B' as it would be located on a public facility (City light pole). Nonetheless, the applicant has submitted an analysis which is attached to this report (Attachments C & D).

17.128.120 Site design preferences.

New wireless facilities shall generally be designed in the following order of preference:

- A. Building or structure mounted antennas completely concealed from view.
- B. Building or structure mounted antennas set back from roof edge, not visible from public right-of way.
- C. Building or structure mounted antennas below roof line (facade mount, pole mount) visible from public right-of-way, painted to match existing structure.
- D. Building or structure mounted antennas above roof line visible from public right-of-way.
- E. Monopoles.
- F. Towers.

Facilities designed to meet an A or B ranked preference do not require a site design alternatives analysis. Facilities designed to meet a C through F ranked preference, inclusive, must submit a site design alternatives analysis as part of the required application materials. A site design alternatives analysis shall, at a minimum, consist of: a. Written evidence indicating why each such higher preference design alternative cannot be used. Such evidence shall be in sufficient detail that independent verification could be obtained if required by the City of Oakland Zoning Manager. Evidence should indicate if the reason an alternative was rejected was technical (e.g. incorrect height, interference from existing RF sources, inability to cover required area) or for other concerns (e.g. inability to provide utilities, construction or structural impediments).

The proposal most closely conforms to 'E' (monopole) and the applicant has submitted a satisfactory site design alternatives analysis (Attachments C & D).

17.128.130 Radio frequency emissions standards.

The applicant for all wireless facilities, including requests for modifications to existing facilities, shall submit the following verifications:

- a. With the initial application, a RF emissions report, prepared by a licensed professional engineer or other expert, indicating that the proposed site will operate within the current acceptable thresholds as established by the Federal government or any such agency who may be subsequently authorized to establish such standards.
- b. Prior to commencement of construction, a RF emissions report indicating the baseline RF emissions condition at the proposed site.
- c. Prior to final building permit sign off, an RF emissions report indicating that the site is actually operating within the acceptable thresholds as established by the Federal government or any such agency who may be subsequently authorized to establish such standards.

A satisfactory report is attached to this report (Attachments C & D).

Analysis

The proposed site design would not be situated on an historic or decorative pole or structure, would not create a view obstruction, and would not negatively impact a view from a primary living space such as a living room or bedroom window. Furthermore, the proposal does not involve installation of new poles. Staff, therefore, finds the proposal to provide an essential service with a least-intrusive possible design.

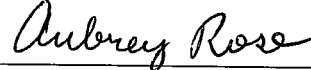
Draft conditions of approval stipulate that the components be painted and textured to match the metal pole in appearance for camouflaging.

In conclusion, staff recommends approval subject to recommended Conditions of Approval.

RECOMMENDATIONS:

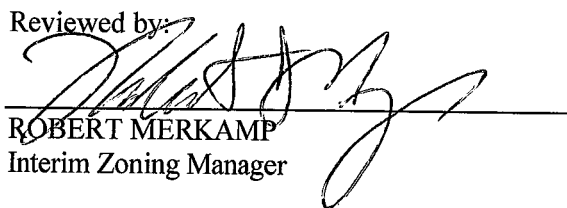
1. Affirm staff's environmental determination.
2. Approve the Major Conditional Use Permit, Regular Design Review and Minor Variance subject to the attached Findings and Conditions of Approval.

Prepared by:



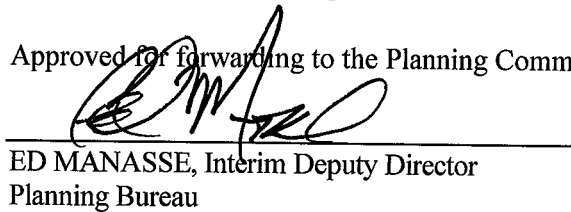
AUBREY ROSE, AICP
Planner III

Reviewed by:



ROBERT MERKAMP
Interim Zoning Manager

Approved for forwarding to the Planning Commission:



ED MANASSE, Interim Deputy Director
Planning Bureau

ATTACHMENTS:

- A. Findings
- B. Conditions of Approval
- C. Case no. PLN18027; 644 9th Street, along M L King Jr Way: Plans / Photo-Simulations / Site Analyses / RF Report / Proof of Posting
- D. Case no. PLN18185; 99 Embarcadero West: Plans / Photo-Simulations / Site Analyses / RF Report / Proof of Posting

ATTACHMENT A: FINDINGS

This proposal meets the required findings under General Use Permit Criteria (OMC Sec. 17.134.050), Conditional Use Permit Criteria for Monopole Facilities (OMC Sec. 17.136.040 (A)), Regular Design Review Criteria for Nonresidential Facilities (OMC Sec. 17.136.050(B)), Design Review Criteria for Monopole Telecommunications Facilities (OMC Sec. 17.128.070(B)), and Variance Procedure/Findings Required (OMC Sec. 17.148.050), as set forth below. Required findings are shown in **bold type**; explanations as to why these findings can be made are in normal type.

GENERAL USE PERMIT CRITERIA (OMC SEC. 17.134.050):

A. That the location, size, design, and operating characteristics of the proposed development will be compatible with and will not adversely affect the livability or appropriate development of abutting properties and the surrounding neighborhood, with consideration to be given to harmony in scale, bulk, coverage, and density; to the availability of civic facilities and utilities; to harmful effect, if any, upon desirable neighborhood character; to the generation of traffic and the capacity of surrounding streets; and to any other relevant impact of the development.

The proposal is to establish a Monopole Telecommunications Facility in a residential area by attaching to an existing City light pole. Attachment to an existing structure with smallest possible components painted and texturized to match the pole will be the least intrusive design. The project will enhance existing service for merchants, shoppers, residents, and visitors in the area.

B. That the location, design, and site planning of the proposed development will provide a convenient and functional living, working, shopping, or civic environment, and will be as attractive as the nature of the use and its location and setting warrant.

Attachment to an existing structure with smallest possible components painted and texturized to match the pole will be the least intrusive design.

C. That the proposed development will enhance the successful operation of the surrounding area in its basic community functions, or will provide an essential service to the community or region.

The project will enhance existing service for merchants, shoppers, residents, and visitors in the area.

D. That the proposal conforms to all applicable design review criteria set forth in the design review procedure at Section 17.136.070.

The proposal conforms to Design Review findings which are included in that section of this attachment of Findings for Approval.

E. That the proposal conforms in all significant respects with the Oakland Comprehensive Plan and with any other applicable plan or development control map which has been adopted by the City Council.

Site #1 is located in the Central Business District area under the General Plan's Land Use and Transportation Element (LUTE). This classification is intended to "to encourage, support, and enhance the downtown areas as a high density mixed use urban center of regional importance and a primary hub for business, communications, office, government, high technology, retail, entertainment, and transportation in Northern California." Site # 2 is in the Waterfront Mixed Use District under the Estuary Plan. The intent of the area is to: "Allow for a mixture of uses the complement the waterfront setting, and maintains and enhances views

and public access to the waterfront.” The proposed telecommunication facilities would be mounted on existing City street light poles within the City of Oakland public right-of-way. The proposed unmanned wireless telecommunication facility would not adversely affect the characteristics of the neighborhood.

**CONDITIONAL USE PERMIT CRITERIA FOR MONOPOLE FACILITIES (OMC
SEC. 17.128.070(C))**

1. The project must meet the special design review criteria listed in subsection B of this section.

The proposal conforms to Design Review findings which are included in a following section of this attachment.

2. Monopoles should not be located any closer than one thousand five hundred (1,500) feet from existing monopoles unless technologically required or visually preferable.

Use of this pole precludes placement of a new pole with facility viewable from an upper story residence and is therefore “visually preferable.”

3. The proposed project must not disrupt the overall community character.

Attachment to an existing structure with smallest possible components painted and texturized to match the pole will be the least intrusive design. The project will enhance existing service for merchants, shoppers, residents, and visitors in the area.

4. If a major conditional use permit is required, the Planning Director or the Planning Commission may request independent expert review regarding site location, collocation and facility configuration. Any party may request that the Planning Commission consider making such request for independent expert review.

a. If there is any objection to the appointment of an independent expert engineer, the applicant must notify the Planning Director within ten (10) days of the Commission request. The Commission will hear arguments regarding the need for the independent expert and the applicant's objection to having one appointed. The Commission will rule as to whether an independent expert should be appointed.

b. Should the Commission appoint an independent expert, the Commission will direct the Planning Director to pick an expert from a panel of licensed engineers, a list of which will be compiled, updated and maintained by the Planning Department.

c. No expert on the panel will be allowed to review any materials or investigate any application without first signing an agreement under penalty of perjury that the expert will keep confidential any and all information learned during the investigation of the application. No personnel currently employed by a telecommunication company are eligible for inclusion on the list.

d. An applicant may elect to keep confidential any proprietary information during the expert's investigation. However, if an applicant does so elect to keep confidential various items of

proprietary information, that applicant may not introduce the confidential proprietary information for the first time before the Commission in support of the application.

e. The Commission shall require that the independent expert prepare the report in a timely fashion so that it will be available to the public prior to any public hearing on the application.

f. Should the Commission appoint an independent expert, the expert's fees will be paid by the applicant through the application fee, imposed by the City.

A Major Conditional Use Permit is required, and the Planning Director or Planning Commission may, therefore, require independent expert review in addition to that which is attached to this report.

REGULAR DESIGN REVIEW CRITERIA FOR NON-RESIDENTIAL FACILITIES (OMC SEC. 17.136.050(B))

1. That the proposed design will create a building or set of buildings that are well related to the surrounding area in their setting, scale, bulk, height, materials, and textures:

Attachment to an existing structure with smallest possible components painted and texturized to match the pole will be the least intrusive design.

2. That the proposed design will protect, preserve, or enhance desirable neighborhood characteristics;

The proposal will not create a view obstruction, will not be directly adjacent to a primary living space such as a living room or bedroom window, and will not be located on an historic or decorative structure.

3. The project will provide a necessary function without negatively impacting surrounding opens pace and hillside residential properties.

The proposal will enhance essential services in an urbanized neighborhood.

4. That the proposed design will be sensitive to the topography and landscape.

The proposal will not be ground mounted.

5. That, if situated on a hill, the design and massing of the proposed building relates to the grade of the hill.

This finding is inapplicable because the site is level.

6. That the proposed design conforms in all significant respects with the Oakland General Plan and with any applicable design review guidelines or criteria, district plan, or development control map

which have been adopted by the Planning Commission or City Council.

This finding is met by this proposal as described in a previous section of this attachment.

**DESIGN REVIEW CRITERIA FOR MONOPOLE TELECOMMUNICATIONS FACILITIES
(OMC SEC. 17.128.070(B))**

1. Collocation is to be encouraged when it will decrease visual impact and collocation is to be discouraged when it will increase negative visual impact.

The project does not involve collocation as it involves the establishment of a new telecommunications facility; however, the project should not preclude any future proposals for location at the site.

2. Monopoles should not be sited to create visual clutter or negatively affect specific views.

The Monopole Facility is sited on existing infrastructure where it will not create clutter or negatively affect specific views. The view of the City street light from the adjacent story residence should remain of the pole below the antenna and above the equipment.

3. Monopoles shall be screened from the public view wherever possible.

The Monopole Facility will be camouflaged and texturized to match the appearance of the existing light pole that will host it. The view of the City street light from the adjacent story residence should remain of the pole below the antenna and above the equipment.

4. The equipment shelter or cabinet must be concealed from public view or made compatible with the architecture of the surrounding structures or placed underground. The shelter or cabinet must be regularly maintained.

Recommended conditions of approval require painting and texturing the antenna and equipment to match the appearance of the metal pole. There is no equipment shelter or cabinet proposed, however minimal equipment would be closely mounted on the side of the metal pole.

5. Site location and development shall preserve the preexisting character of the surrounding buildings and land uses and the zone district as much as possible. Wireless communication towers shall be integrated through location and design to blend in with the existing characteristics of the site to the extent practical. Existing on-site vegetation shall be preserved or improved, and

disturbance of the existing topography shall be minimized, unless such disturbance would result in less visual impact of the site to the surrounding area.

The proposed Monopole Facility will be placed in an existing non-decorative City light pole. This enables the preservation of character in the area and will not pose a negative visual impact as the proposal will be camouflaged to match the pole. There is no adjacent vegetation or topography.

6. That all reasonable means of reducing public access to the antennas and equipment has been made, including, but not limited to, placement in or on buildings or structures, fencing, anti-climbing measures and anti-tampering devices.

The minimal clearance to the facility will measure approximately sixteen-feet in height.

VARIANCE PROCEDURE/FINDINGS REQUIRED (OMC SEC. 17.148.050)

1. That strict compliance with the specified regulation would result in practical difficulty or unnecessary hardship inconsistent with the purposes of the zoning regulations, due to unique physical or topographic circumstances or conditions of design; or, as an alternative in the case of a minor variance, that such strict compliance would preclude an effective design solution improving livability, operational efficiency, or appearance.

The project requires a Minor Variance: the proposal does not meet the following requirement

When a monopole is in a Residential Zone or adjacent to a residential use, it must be set back from the nearest residential lot line a distance at least equal to its total height. (OMC Sec. 17.128.0809(A)(3))

The 26'-3" tall pole will be extended to 30'-9" by attachment of an antenna at top. Strict compliance would preclude an effective design solution improving livability, operational efficiency, or appearance. The intent of the ordinance is to avoid the installation of a looming structure adjacent to a home and to avoid clutter. A code conforming alternative in this case might consist of a new structure measuring less than fifteen-feet in height including the attached telecommunications facility. The proposal will use an existing facility to enhance essential services with the least-intrusive design.

2. That strict compliance with the regulations would deprive the applicant of privileges enjoyed by owners of similarly zoned property; or, as an alternative in the case of a minor variance, that such strict compliance would preclude an effective design solution fulfilling the basic intent of the applicable regulation.

The intent of the ordinance is to avoid the installation of a looming structure adjacent to a home and to avoid clutter. A code conforming alternative in this case might consist of a new structure measuring less

than fifteen-feet in height including the attached telecommunications facility. A code-conforming facility would add clutter and might create more obstruction to the view from an upper story residential unit.

3. That the variance, if granted, will not adversely affect the character, livability, or appropriate development of abutting properties or the surrounding area, and will not be detrimental to the public welfare or contrary to adopted plans or development policy.

The variance will eliminate the need to install an additional new pole.

4. That the variance will not constitute a grant of special privilege inconsistent with limitations imposed on similarly zoned properties or inconsistent with the purposes of the zoning regulations.

Other telecommunications facilities have been granted a similar variance.

5. That the elements of the proposal requiring the variance (e.g., elements such as buildings, walls, fences, driveways, garages and carports, etc.) conform with the regular design review criteria set forth in the design review procedure at Section 17.136.050

This finding is met by this proposal as described in a previous section of this attachment.

6. That the proposal conforms in all significant respects with the Oakland General Plan and with any other applicable guidelines or criteria, district plan, or development control map which have been adopted by the Planning Commission or City Council.

This finding is met by this proposal as described in a previous section of this attachment.

7. For proposals involving one (1) or two (2) residential dwelling units on a lot: That, if the variance would relax a regulation governing maximum height, minimum yards, maximum lot coverage or maximum floor area ratio, the proposal also conforms with at least one of the following additional criteria:

a. The proposal when viewed in its entirety will not adversely impact abutting residences to the side, rear, or directly across the street with respect to solar access, view blockage and privacy to a degree greater than that which would be possible if the residence were built according to the applicable regulation and, for height variances, the proposal provides detailing, articulation or other design treatments that mitigate any bulk created by the additional height; or

b. Over sixty percent (60%) of the lots in the immediate vicinity are already developed and the proposal does not exceed the corresponding as-built condition on these lots and, for height variances, the proposal provides detailing, articulation or other design treatments that mitigate any bulk created by the additional height. The immediate context shall consist of the five (5) closest lots on each side of the project site plus the ten (10) closest lots on the opposite side of the street (see illustration I-4b); however, the Director of City Planning may make an alternative determination of

immediate context based on specific site conditions. Such determination shall be in writing and included as part of any decision on any variance.

This finding is non-applicable to the project; the proposal does not involve a house or duplex.

Attachment B: Conditions of Approval

1. Approved Use

The project shall be constructed and operated in accordance with the authorized use as described in the approved application materials, **staff report** and the approved plans **dated June 12 & 13, 2017 and submitted January 12 & April 23, 2018**, as amended by the following conditions of approval and mitigation measures, if applicable (“Conditions of Approval” or “Conditions”).

Two (2) approvals to install new “small cell site” Monopole Telecommunications Facilities on existing City street light poles in the public right-of-way (sidewalk) by attaching an antenna within a shroud to the top of the pole and equipment mounted to the side of the pole adjacent to:

- 1) Case no. PLN18027; 644 9th Street, along Martin Luther King Jr Way
- 2) Case no. PLN18185; 99 Embarcadero West

2. Effective Date, Expiration, Extensions and Extinguishment

This Approval shall become effective immediately, unless the Approval is appealable, in which case the Approval shall become effective in ten calendar days unless an appeal is filed. Unless a different termination date is prescribed, this Approval shall expire **two calendar years** from the Approval date, or from the date of the final decision in the event of an appeal, unless within such period all necessary permits for construction or alteration have been issued, or the authorized activities have commenced in the case of a permit not involving construction or alteration. Upon written request and payment of appropriate fees submitted no later than the expiration date of this Approval, the Director of City Planning or designee may grant a one-year extension of this date, with additional extensions subject to approval by the approving body. Expiration of any necessary building permit or other construction-related permit for this project may invalidate this Approval if said Approval has also expired. If litigation is filed challenging this Approval, or its implementation, then the time period stated above for obtaining necessary permits for construction or alteration and/or commencement of authorized activities is automatically extended for the duration of the litigation.

3. Compliance with Other Requirements

The project applicant shall comply with all other applicable federal, state, regional, and local laws/codes, requirements, regulations, and guidelines, including but not limited to those imposed by the City’s Bureau of Building, Fire Marshal, and Public Works Department. Compliance with other applicable requirements may require changes to the approved use and/or plans. These changes shall be processed in accordance with the procedures contained in Condition #4.

4. Minor and Major Changes

- a. Minor changes to the approved project, plans, Conditions, facilities, or use may be approved administratively by the Director of City Planning.
- b. Major changes to the approved project, plans, Conditions, facilities, or use shall be reviewed by the Director of City Planning to determine whether such changes require submittal and approval of a revision to the Approval by the original approving body or a new independent permit/approval. Major revisions shall be reviewed in accordance with the procedures required

for the original permit/approval. A new independent permit/approval shall be reviewed in accordance with the procedures required for the new permit/approval.

5. Compliance with Conditions of Approval

- a. The project applicant and property owner, including successors, (collectively referred to hereafter as the “project applicant” or “applicant”) shall be responsible for compliance with all the Conditions of Approval and any recommendations contained in any submitted and approved technical report at his/her sole cost and expense, subject to review and approval by the City of Oakland.
- b. The City of Oakland reserves the right at any time during construction to require certification by a licensed professional at the project applicant’s expense that the as-built project conforms to all applicable requirements, including but not limited to, approved maximum heights and minimum setbacks. Failure to construct the project in accordance with the Approval may result in remedial reconstruction, permit revocation, permit modification, stop work, permit suspension, or other corrective action.
- c. Violation of any term, Condition, or project description relating to the Approval is unlawful, prohibited, and a violation of the Oakland Municipal Code. The City of Oakland reserves the right to initiate civil and/or criminal enforcement and/or abatement proceedings, or after notice and public hearing, to revoke the Approval or alter these Conditions if it is found that there is violation of any of the Conditions or the provisions of the Planning Code or Municipal Code, or the project operates as or causes a public nuisance. This provision is not intended to, nor does it, limit in any manner whatsoever the ability of the City to take appropriate enforcement actions. The project applicant shall be responsible for paying fees in accordance with the City’s Master Fee Schedule for inspections conducted by the City or a City-designated third-party to investigate alleged violations of the Approval or Conditions.

6. Signed Copy of the Approval/Conditions

A copy of the Approval letter and Conditions shall be signed by the project applicant, attached to each set of permit plans submitted to the appropriate City agency for the project, and made available for review at the project job site at all times.

7. Blight/Nuisances

The project site shall be kept in a blight/nuisance-free condition. Any existing blight or nuisance shall be abated within 60 days of approval, unless an earlier date is specified elsewhere.

8. Indemnification

- a. To the maximum extent permitted by law, the project applicant shall defend (with counsel acceptable to the City), indemnify, and hold harmless the City of Oakland, the Oakland City Council, the Oakland Redevelopment Successor Agency, the Oakland City Planning Commission, and their respective agents, officers, employees, and volunteers (hereafter collectively called “City”) from any liability, damages, claim, judgment, loss (direct or indirect), action, causes of action, or proceeding (including legal costs, attorneys’ fees, expert witness or consultant fees, City Attorney or staff time, expenses or costs) (collectively called “Action”) against the City to attack, set aside, void or annul this Approval or implementation of this Approval. The City may elect, in its sole discretion, to participate in the defense of said Action and the project applicant shall reimburse the City for its reasonable legal costs and attorneys’ fees.
- b. Within ten (10) calendar days of the filing of any Action as specified in subsection (a) above, the project applicant shall execute a Joint Defense Letter of Agreement with the City,

acceptable to the Office of the City Attorney, which memorializes the above obligations. These obligations and the Joint Defense Letter of Agreement shall survive termination, extinguishment, or invalidation of the Approval. Failure to timely execute the Letter of Agreement does not relieve the project applicant of any of the obligations contained in this Condition or other requirements or Conditions of Approval that may be imposed by the City.

9. Severability

The Approval would not have been granted but for the applicability and validity of each and every one of the specified Conditions, and if one or more of such Conditions is found to be invalid by a court of competent jurisdiction this Approval would not have been granted without requiring other valid Conditions consistent with achieving the same purpose and intent of such Approval.

10. Job Site Plans

Ongoing throughout demolition, grading, and/or construction

At least one (1) copy of the stamped approved plans, along with the Approval Letter and Conditions of Approval, shall be available for review at the job site at all times.

11. Special Inspector/Inspections, Independent Technical Review, Project Coordination and Monitoring

The project applicant may be required to cover the full costs of independent third-party technical review and City monitoring and inspection, including without limitation, special inspector(s)/inspection(s) during times of extensive or specialized plan-check review or construction, and inspections of potential violations of the Conditions of Approval. The project applicant shall establish a deposit with the Bureau of Building, if directed by the Building Official, Director of City Planning, or designee, prior to the issuance of a construction-related permit and on an ongoing as-needed basis.

12. Public Improvements

The project applicant shall obtain all necessary permits/approvals, such as encroachment permits, obstruction permits, curb/gutter/sidewalk permits, and public improvement (“p-job”) permits from the City for work in the public right-of-way, including but not limited to, streets, curbs, gutters, sidewalks, utilities, and fire hydrants. Prior to any work in the public right-of-way, the applicant shall submit plans for review and approval by the Bureau of Planning, the Bureau of Building, and other City departments as required. Public improvements shall be designed and installed to the satisfaction of the City.

13. Construction Days/Hours

Requirement: The project applicant shall comply with the following restrictions concerning construction days and hours:

- a. Construction activities are limited to between 7:00 a.m. and 7:00 p.m. Monday through Friday, except that pier drilling and/or other extreme noise generating activities greater than 90 dBA shall be limited to between 8:00 a.m. and 4:00 p.m.
- b. Construction activities are limited to between 9:00 a.m. and 5:00 p.m. on Saturday. In residential zones and within 300 feet of a residential zone, construction activities are allowed from 9:00 a.m.

to 5:00 p.m. only within the interior of the building with the doors and windows closed. No pier drilling or other extreme noise generating activities greater than 90 dBA are allowed on Saturday.

c. No construction is allowed on Sunday or federal holidays.

Construction activities include, but are not limited to, truck idling, moving equipment (including trucks, elevators, etc.) or materials, deliveries, and construction meetings held on-site in a non-enclosed area.

Any construction activity proposed outside of the above days and hours for special activities (such as concrete pouring which may require more continuous amounts of time) shall be evaluated on a case-by-case basis by the City, with criteria including the urgency/emergency nature of the work, the proximity of residential or other sensitive uses, and a consideration of nearby residents'/occupants' preferences. The project applicant shall notify property owners and occupants located within 300 feet at least 14 calendar days prior to construction activity proposed outside of the above days/hours. When submitting a request to the City to allow construction activity outside of the above days/hours, the project applicant shall submit information concerning the type and duration of proposed construction activity and the draft public notice for City review and approval prior to distribution of the public notice.

When Required: During construction

Initial Approval: N/A

Monitoring/Inspection: Bureau of Building

PROJECT-SPECIFIC CONDITIONS

14. Emissions Report

Requirement: A RF emissions report shall be submitted to the Planning Bureau indicating that the site is actually operating within the acceptable thresholds as established by the Federal government or any such agency who may be subsequently authorized to establish such standards.

Requirement: Prior to a final inspection

When Required: Prior to final building permit inspection sign-off

Initial Approval: N/A

Monitoring/Inspection: N/A

15. Camouflage

Requirement: The antenna and equipment shall be painted, texturized, and maintained the same color and finish of the City light pole.

When Required: Prior to a final inspection

Initial Approval: N/A

Monitoring/Inspection: Bureau of Building

16. Operational

Requirement: Noise levels from the activity, property, or any mechanical equipment on site shall comply with the performance standards of Section 17.120 of the Oakland Planning Code and Section 8.18 of the Oakland Municipal Code. If noise levels exceed these standards, the activity causing the

noise shall be abated until appropriate noise reduction measures have been installed and compliance verified by the Planning and Zoning Division and Building Services.

When Required: Ongoing

Initial Approval: N/A

Monitoring/Inspection: Bureau of Building

17. Possible District Undergrounding PG&E Pole

Requirement: Should the City light pole be permanently removed for purposes of district undergrounding or otherwise, the telecommunications facility can only be re-established by applying for and receiving approval of a new application to the Oakland Planning Bureau as required by the regulations.

When Required: Ongoing

Initial Approval: N/A

Monitoring/Inspection: N/A

18. Graffiti Control

Requirement:

- a. During construction and operation of the project, the project applicant shall incorporate best management practices reasonably related to the control of graffiti and/or the mitigation of the impacts of graffiti. Such best management practices may include, without limitation:
- b. The project applicant shall remove graffiti by appropriate means within seventy-two (72) hours. Appropriate means include the following:
 - i. Removal through scrubbing, washing, sanding, and/or scraping (or similar method) without damaging the surface and without discharging wash water or cleaning detergents into the City storm drain system.
 - ii. For galvanized poles, covering with new paint to match the color of the surrounding surface.
 - iii. Replace pole numbers.

When Required: Ongoing

Initial Approval: N/A

Monitoring/Inspection: Bureau of Building

Attachment C

SITE ID/CASCADE ID-CANDIDATE LETTER:

9CAB013903/SF90XS2W4A

LATITUDE/LONGITUDE:

37.802918/-122.27792

CROSS STREET:

MARTIN LUTHER KING JR. WAY, N. OF 9TH ST.

CITY, STATE, ZIP:

OAKLAND, CA 94607

(E) 26'-3" STEEL LIGHT POLE



IF YOU DIG IN ANY STATE
DIAL 811 FOR THE LOCAL
"ONE CALL CENTER" -
IT'S THE LAW

THE UTILITIES SHOWN HEREIN ARE FOR THE CONTRACTOR'S CONVENIENCE ONLY. THERE MAY BE OTHER UTILITIES NOT SHOWN ON THESE PLANS. THE ENGINEER/SURVEYOR ASSUMES NO RESPONSIBILITY FOR THE LOCATIONS SHOWN AND IT SHALL BE THE CONTRACTOR'S RESPONSIBILITY TO VERIFY ALL THE UTILITIES WITHIN THE LIMITS OF THE WORK. ALL DAMAGE MADE TO THE (E) UTILITIES BY THE CONTRACTOR SHALL BE THE SOLE RESPONSIBILITY OF THE CONTRACTOR.

PROJECT NO: 9CAB013903

DRAWN BY: DK

CHECKED BY: JM

0	06/12/17	90% CONSTRUCTION
1	09/27/17	REVISED PER PG&E STANDARDS

GENERAL NOTES

THE FACILITY IS UNMANNED AND NOT FOR HUMAN HABITATION. A TECHNICIAN WILL VISIT THE SITE AS REQUIRED FOR ROUTINE MAINTENANCE. THE PROJECT WILL NOT RESULT IN ANY SIGNIFICANT DISTURBANCE OF EFFECT ON DRAINAGE; NO SANITARY SEWER SERVICE, POTABLE WATER OR TRASH DISPOSAL IS REQUIRED AND NO COMMERCIAL SIGNAGE IS (N).

SITE INFORMATION

SITE ID:	9CAB013903
CASCADE ID:	SF90XS2W4A
LATITUDE:	37.802918
LONGITUDE:	-122.27792
CROSS STREET:	MARTIN LUTHER KING JR. WAY, N. OF 9TH ST.
CITY, STATE, ZIP:	OAKLAND, CA 94607
COUNTY:	ALAMEDA COUNTY
JURISDICTION:	CITY OF OAKLAND
PROPERTY OWNER:	PUBLIC RIGHT-OF-WAY
APPLICANT:	MOBILITIE, LLC 2955 RED HILL AVENUE, STE. 200, COSTA MESA, CA 92626 APPLICANT: JAMES SINGLETON PHONE: 605-814-0584 EMAIL: JSingleton@mobilitie.com

ENGINEER

CABLE ENGINEERING SERVICES
10640 SEPULVEDA BLVD. SUITE 1
MISSION HILLS, CA. 91345

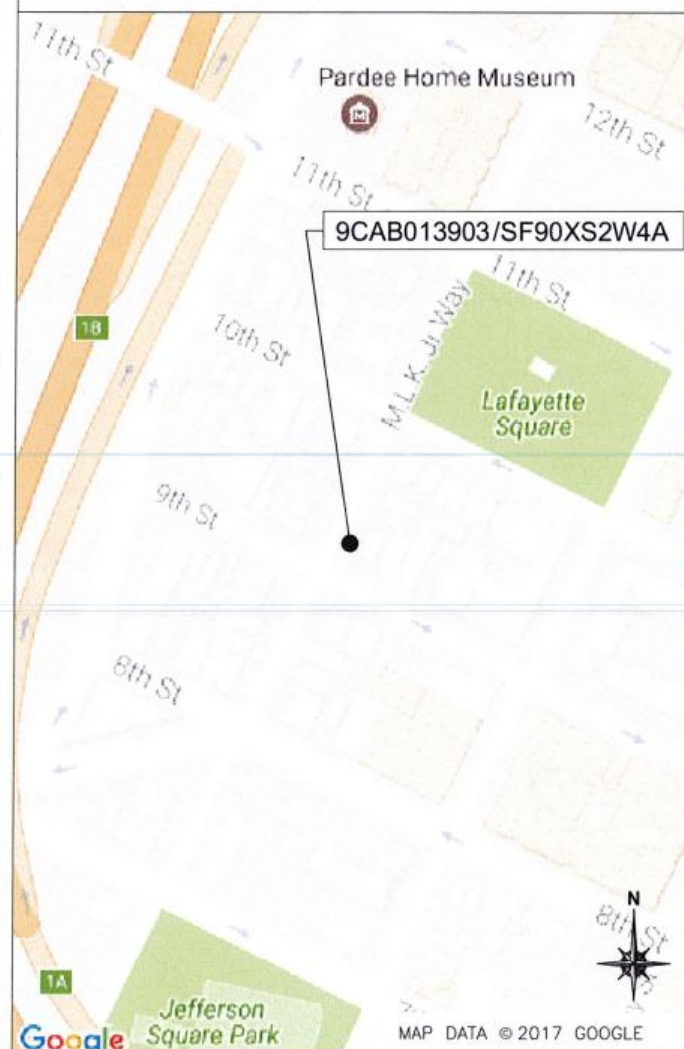
JEREMY HARMON
(818) 898-2352

DO NOT SCALE DRAWINGS

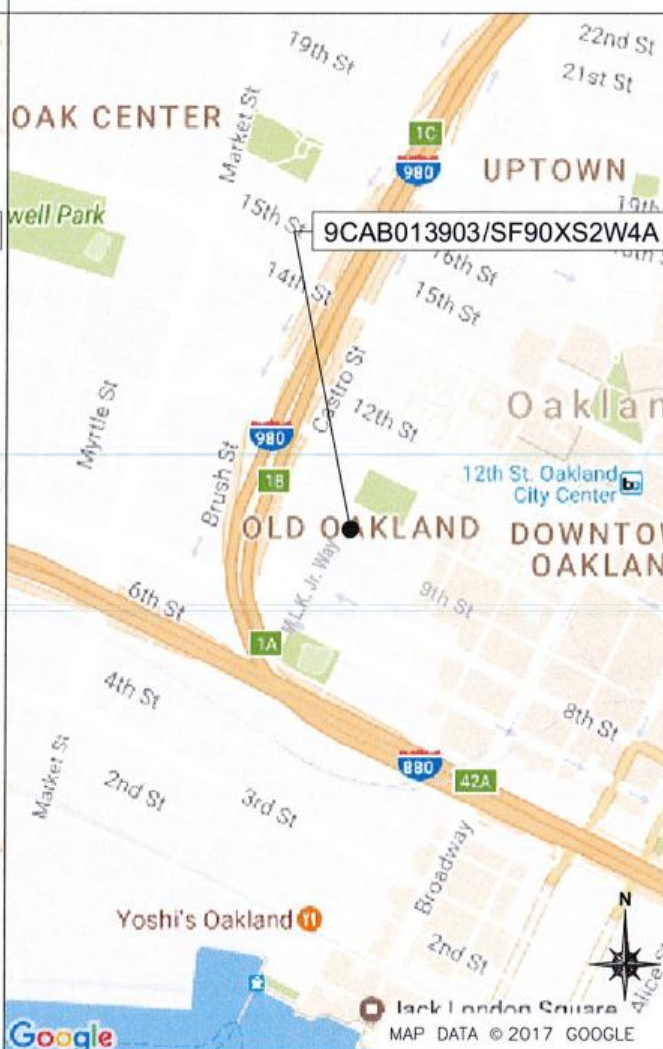
CONTRACTORS SHALL VERIFY ALL PLANS, (E) DIMENSIONS & FIELD CONDITIONS ON THE JOB SITE & SHALL IMMEDIATELY NOTIFY THE ARCHITECT/ENGINEER IN WRITING OF ANY DISCREPANCIES BEFORE PROCEEDING WITH THE WORK OR BE RESPONSIBLE FOR SAME.

LOCATION MAPS

VICINITY MAP



REGIONAL MAP



PROJECT DESCRIPTION

END USER PROPOSES TO INSTALL EQUIPMENT ON AN EXISTING STEEL POLE WITHIN AN EXISTING RIGHT-OF-WAY. THE SCOPE WILL CONSIST OF THE FOLLOWING:

- INSTALL PROPOSED SMALL SCALE WIRELESS EQUIPMENT ON AN EXISTING STEEL LIGHT POLE

CODES

2015 INTERNATIONAL BUILDING CODE
2017 NATIONAL ELECTRICAL CODE
TIA/EIA-222-G-2 OR LATEST EDITION
LOCAL BUILDING/PLANNING CODE

DRAWING INDEX

SHEET NO:	SHEET TITLE
T-1	TITLE SHEET
SP-1	EXHIBIT PHOTO & SITE PLAN
SP-2	OVERALL SITE PLAN
EV-1	POLE ELEVATIONS
EV-2	POLE ELEVATIONS
PL-1	PLUMBING & RISER DIAGRAM
EQ-1	EQUIPMENT DETAILS
EQ-2	EQUIPMENT DETAILS
E-1	ELECTRICAL DETAILS
G-1	GROUNDING DETAILS
GN-1	GENERAL NOTES
GN-2	GENERAL NOTES
GN-3	GENERAL NOTES
TC-1	TRAFFIC CONTROL PLAN

IT IS A VIOLATION OF THE LAW FOR ANY PERSON, UNLESS THEY ARE ACTING UNDER THE DIRECTION OF A LICENSED PROFESSIONAL ENGINEER, TO ALTER THIS DOCUMENT

9CAB013903
OAKLAND, CA 94607
(E) 26'-3" STEEL LIGHT POLE

SHEET TITLE
TITLE SHEET

SHEET NUMBER
T-1



(E) 26'-3" STEEL LIGHT POLE

EXHIBIT PHOTO

SCALE: NOT TO SCALE

1



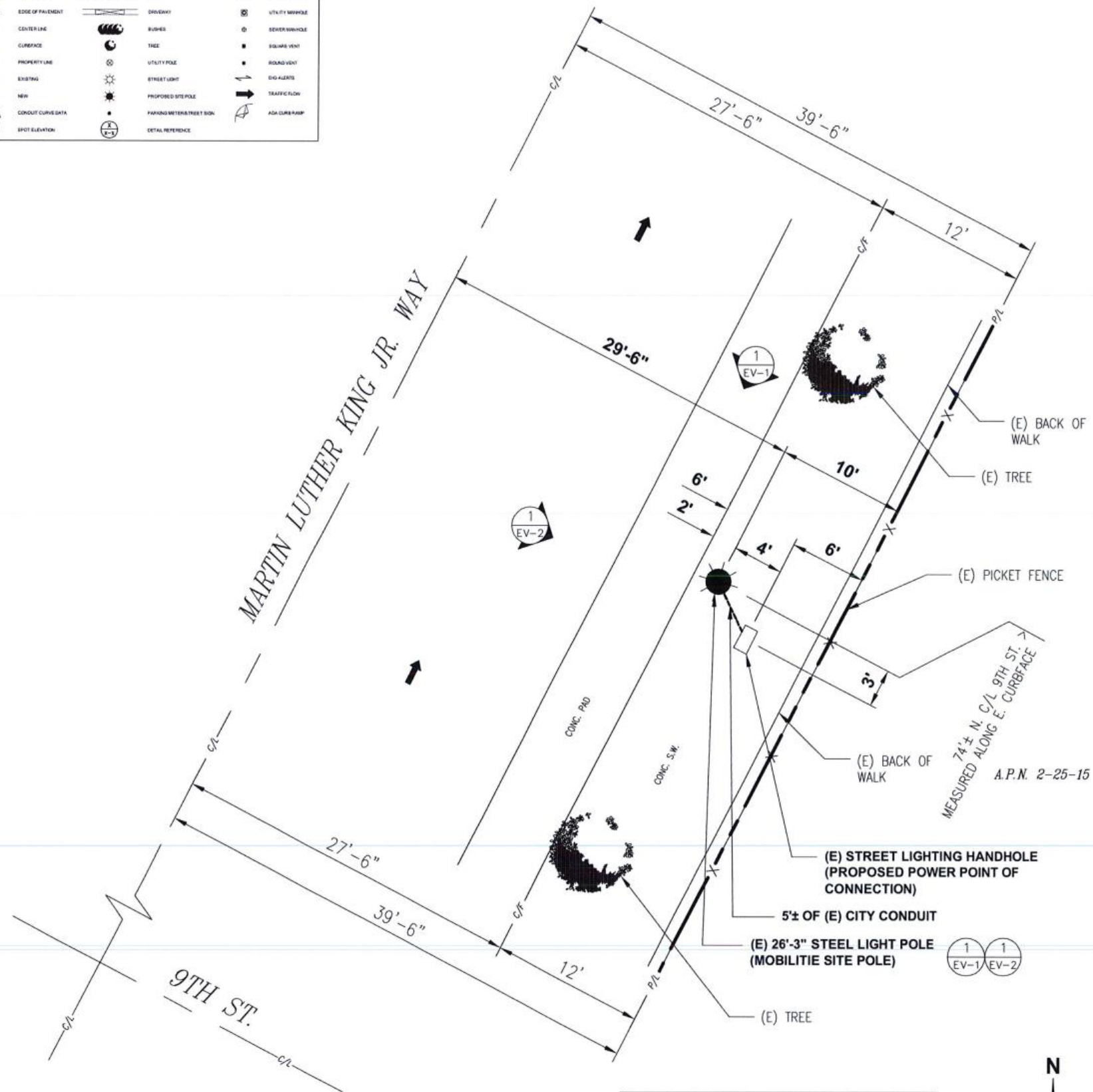
SITE LOCATION

AERIAL SITE LOCATION

SCALE: NOT TO SCALE

2

SYMBOL					
SYMBOL	DESCRIPTION	SYMBOL	DESCRIPTION	SYMBOL	DESCRIPTION
EOD	EDGE OF DRIVE	---	EXISTING OUT	●	FIRE HYDRANT
WL	WHITE LINE	-X-X-X-X-	FENCE	+	UTILITY VALVE
ROW	RIGHT OF WAY	=====	WALL	⊗	UTILITY MARKER
EDP	EDGE OF PAVEMENT	=====	DRAINAGE	⊙	SEWER MANHOLE
CL	CENTER LINE	⊖	BUSHES	⊙	SQUARE VENT
CF	CURBFACE	⊖	TRUCK	⊙	ROAD VENT
PL	PROPERTY LINE	⊖	UTILITY POLE	⊙	TRAFFIC LIGHT
EX	EXISTING	⊖	STREET LIGHT	⊙	TRAFFIC SIGNAL
NO	NEW	⊖	PROPOSED SITE POLE	⊙	ADJ. CURB RAMP
CC	CONDUIT CURVE DATA	⊖	PARKING METER/STREET SIGN	⊙	
SE	SPOT ELEVATION	⊖	DETAIL REFERENCE	⊙	



UNDERGROUND UTILITIES NOTE:
 THE LOCATIONS AND EXISTENCE OF ANY UNDERGROUND PIPES, STRUCTURES OR CONDUITS SHOWN ON THIS PLAN WERE OBTAINED BY A SEARCH OF AVAILABLE RECORDS. THERE MAY BE EX. UTILITIES OTHER THAN THOSE SHOWN ON THIS PLAN. THE CONTRACTOR IS REQUIRED TO TAKE PRECAUTIONARY MEASURES TO PROTECT THE UTILITY LINES SHOWN AND ANY OTHER LINES NOT SHOWN ON THIS PLAN.

CONSTRUCTION NOTE:
 CONTRACTOR TO TAP IN AT THE POC AND RUN A NEW, SEPARATE CIRCUIT THROUGH CITY CONDUIT TO GO TO THE POLE.

ENLARGED SITE PLAN

SCALE: 1" = 10'



PRESCOTT COMMUNICATIONS INC.
 10640 Sepulveda Blvd. Suite 1, Mission Hills, CA 91345
 Phone No.: (818)998-2352 Fax No.: (818)998-0186

PROJECT NO:	9CAB013903
DRAWN BY:	DK
CHECKED BY:	JM

0	06/12/17	90% CONSTRUCTION
1	09/27/17	REVISED PER PG&E STANDARDS

IT IS A VIOLATION OF THE LAW FOR ANY PERSON, UNLESS THEY ARE ACTING UNDER THE DIRECTION OF A LICENSED PROFESSIONAL ENGINEER, TO ALTER THIS DOCUMENT

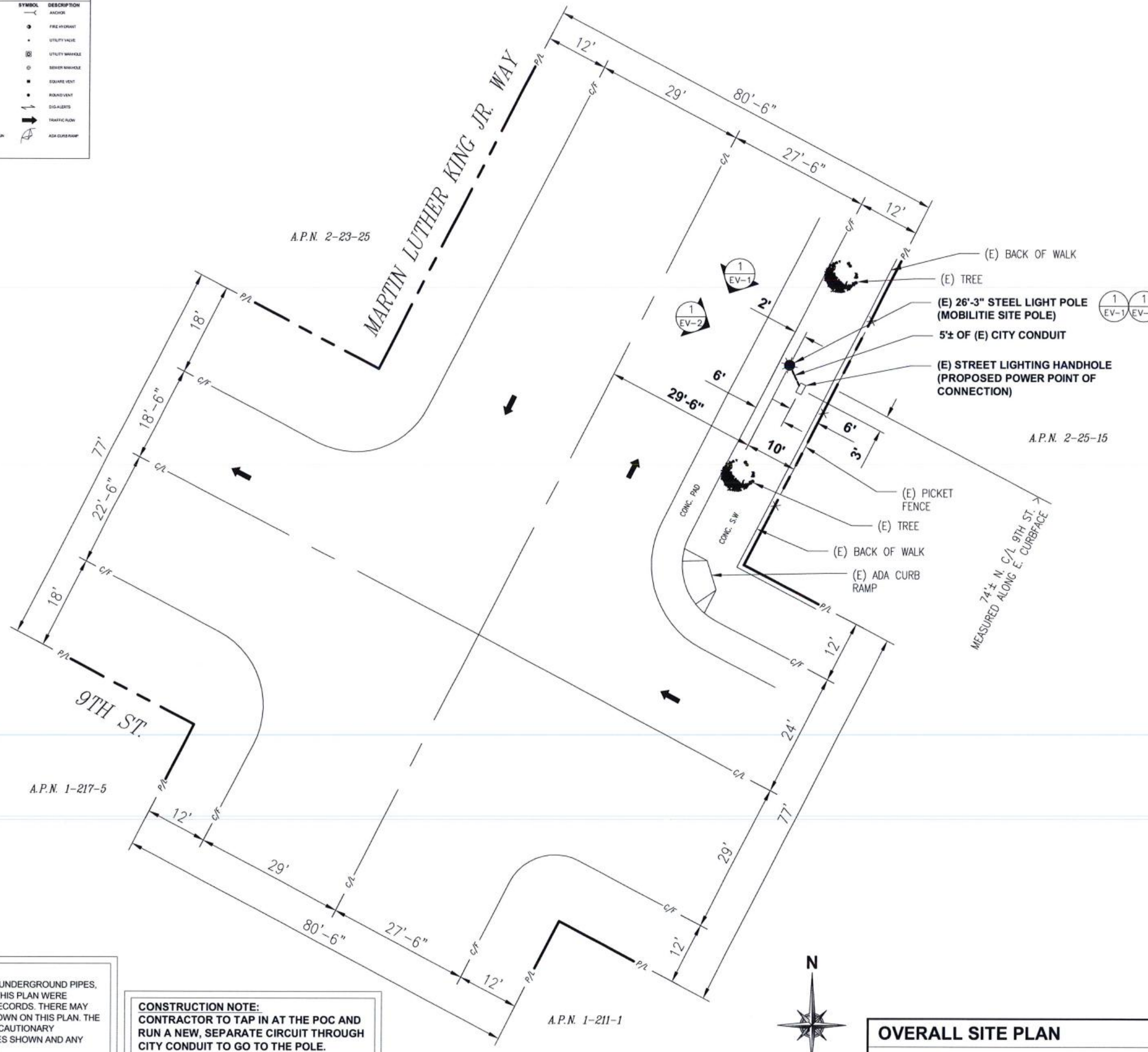
9CAB013903
 OAKLAND, CA 94607
 (E) 26'-3" STEEL LIGHT POLE

SHEET TITLE
EXHIBIT PHOTO & SITE PLAN

SHEET NUMBER
SP-1

3

SYMBOLS			
SYMBOL	DESCRIPTION	SYMBOL	DESCRIPTION
EW	EDGE OF WALK	EX	EXISTING CUT
WL	WHITE LINE	FX	FENCE
RDP	RIGHT OF WAY	W	WALL
EP	EDGE OF PAVEMENT	D	DRIVEWAY
CL	CENTER LINE	B	BUSHES
CF	CURBSIDE	T	TREE
PL	PROPERTY LINE	UP	UTILITY POLE
ST	EXISTING	SL	STREET LIGHT
NS	NEW	SP	PROPOSED SITE POLE
CCD	CONDUIT CURVE DATA	PM	PARKING METER/STREET SIGN
SE	SPOT ELEVATION	DR	DETAIL REFERENCE
		FR	FIRE HYDRANT
		UV	UTILITY VALVE
		UM	UTILITY MANHOLE
		BM	BENCH MARK
		SV	SQUARE VENT
		RD	ROAD VENT
		DA	DISABLER
		TR	TRAFFIC SIGN
		AC	ADA CURB RAMP



UNDERGROUND UTILITIES NOTE:
 THE LOCATIONS AND EXISTENCE OF ANY UNDERGROUND PIPES, STRUCTURES OR CONDUITS SHOWN ON THIS PLAN WERE OBTAINED BY A SEARCH OF AVAILABLE RECORDS. THERE MAY BE EX. UTILITIES OTHER THAN THOSE SHOWN ON THIS PLAN. THE CONTRACTOR IS REQUIRED TO TAKE PRECAUTIONARY MEASURES TO PROTECT THE UTILITY LINES SHOWN AND ANY OTHER LINES NOT SHOWN ON THIS PLAN.

CONSTRUCTION NOTE:
 CONTRACTOR TO TAP IN AT THE POC AND RUN A NEW, SEPARATE CIRCUIT THROUGH CITY CONDUIT TO GO TO THE POLE.



OVERALL SITE PLAN

SCALE: 1" = 20'



CES cable engineering services
 PRESCOTT COMMUNICATIONS INC.
 10640 Sepulveda Blvd. Suite 1, Mission Hills, CA 91345
 Phone No.: (818)998-2352 Fax No.: (818)998-9166

PROJECT NO:	9CAB013903
DRAWN BY:	DK
CHECKED BY:	JM

0	06/12/17	90% CONSTRUCTION
1	09/27/17	REVISED PER PG&E STANDARDS

IT IS A VIOLATION OF THE LAW FOR ANY PERSON, UNLESS THEY ARE ACTING UNDER THE DIRECTION OF A LICENSED PROFESSIONAL ENGINEER, TO ALTER THIS DOCUMENT

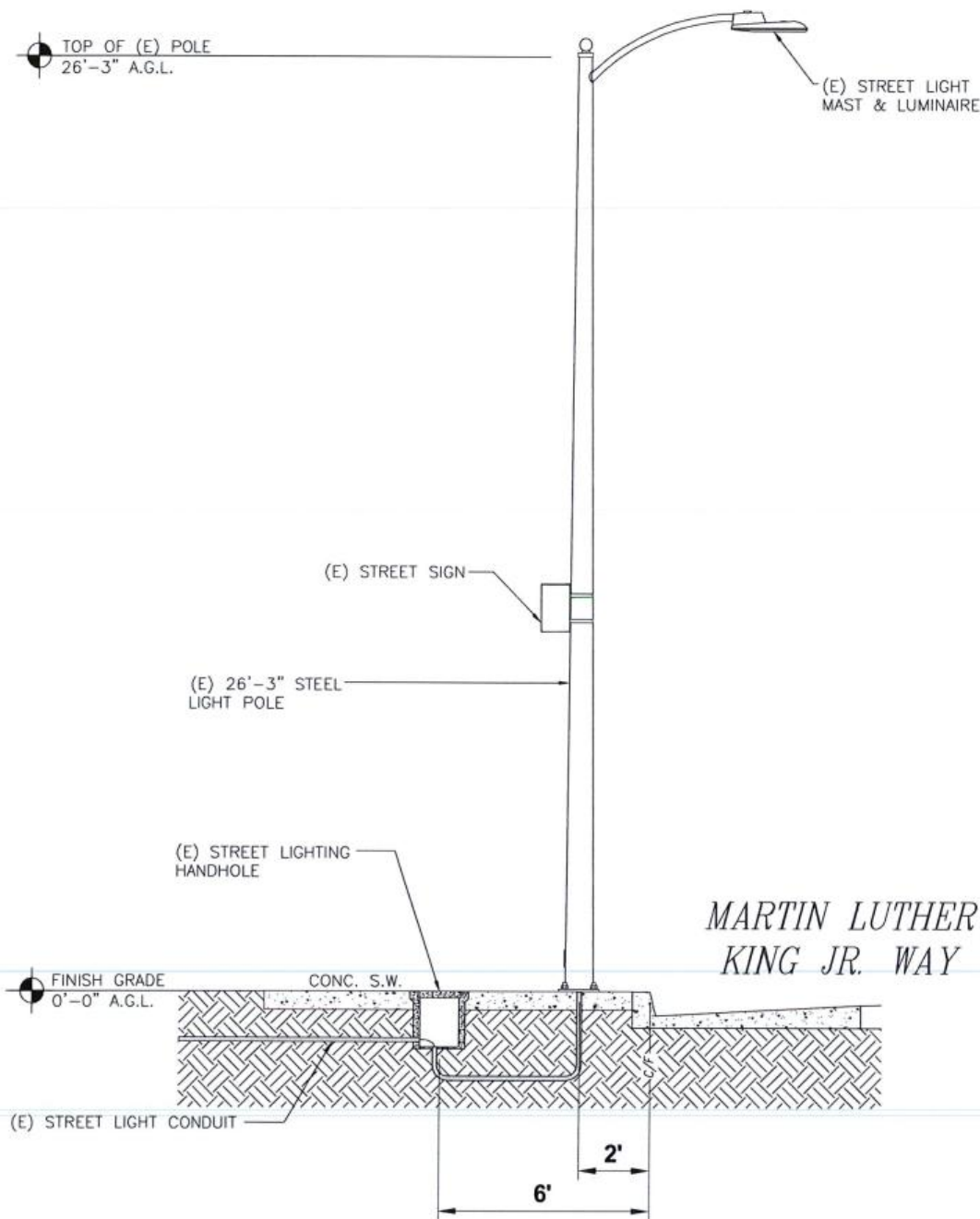
9CAB013903
 OAKLAND, CA 94607
 (E) 26'-3" STEEL LIGHT POLE

SHEET TITLE
OVERALL SITE PLAN

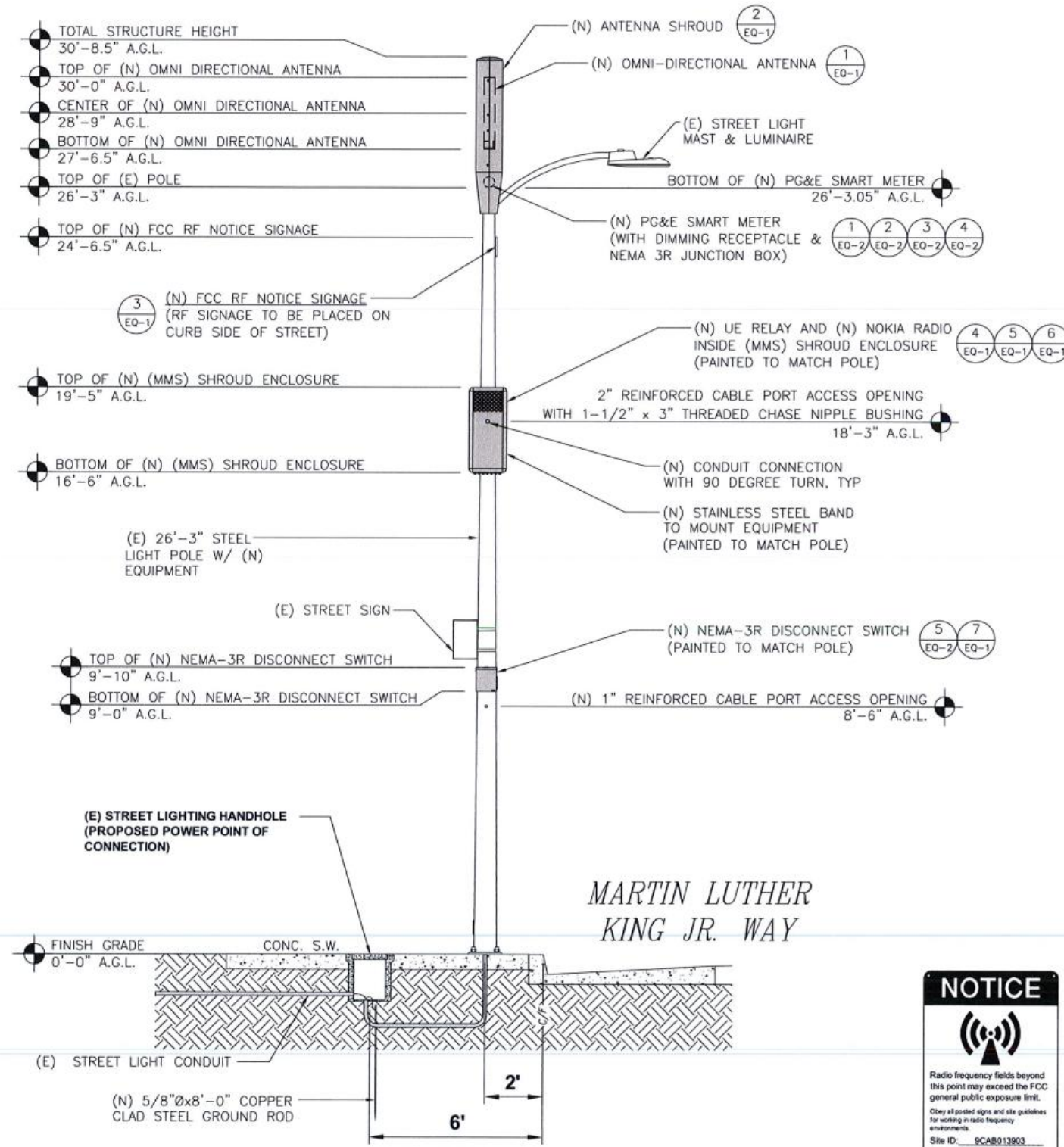
SHEET NUMBER
SP-2

PG&E METERING AND SERVICE CONNECTIONS FOR NON-PG&E OWNED STEEL STREETLIGHT POLES WITH ANTENNA AND COMMUNICATION EQUIPMENT

5. A DISCONNECT SWITCH MUST BE INSTALLED AND MEETS ALL OF THE FOLLOWING REQUIREMENTS BELOW. THE SWITCH WILL BE USED AS PART OF THE NORMAL OR EMERGENCY SHUTDOWN PROTOCOLS REQUIRED IN CALIFORNIA PUBLIC UTILITY COMMISSION (CPUC) GENERAL ORDER 95, RULE 94.
 - 5.1. THE SWITCH SHALL DE-ENERGIZE ALL POWER SUPPLIES, INCLUDING BACK-UP POWER, AND ANY COMMUNICATION EQUIPMENT EMITTING RADIO FREQUENCIES (RF).
 - 5.2. THE SWITCH MUST NOT DE-ENERGIZE (TURN OFF) THE STREET LIGHT(S).
 - 5.3. THE SWITCH MUST BE READILY ACCESSIBLE AND ATTACHED EXTERNALLY ON THE POLE LESS THAN 10 FEET ABOVE GRADE. AS MEASURED TO THE TOP OF THE SWITCH ENCLOSURE.
 - 5.4. THE SWITCH MAY NOT BE INSTALLED INSIDE THE POLE, IN THE BASE OF THE POLE, OR IN A SUBSURFACE ENCLOSURE.
 - 5.5. PROVISIONS FOR LOCKING THE DISCONNECT SWITCH IN THE OFF POSITION ARE REQUIRED.



EXISTING SIDE VIEW



NEW SIDE VIEW

NOTES:

1. ALL HARDWARE SHALL BE STAINLESS STEEL.
2. ALL CABLES SHALL BE SECURED TO POLE EVERY 36" OR LESS.
3. LIGHTNING RODS SHALL BE INCLUDED AS REQUIRED.
4. STRUCTURAL BACKFILL TO BE COMPACTED IN 6" MAXIMUM LAYERS TO 95% OF CONTENT IN ACCORDANCE WITH ASTM D698. ADDITIONALLY, STRUCTURAL BACKFILL MUST HAVE A MINIMUM COMPACTED UNIT WEIGHT OF 100 POUNDS PER CUBIC FOOT (16kN/m³)



- RF WARNING SIGN WILL BE PAINTED TO MATCH NEW POLE.
- SIGN TO BE NO LARGER THAN 3'x4'.
- SIGN TO BE MOUNTED ON CURB SIDE.

POLE ELEVATIONS

SCALE: 1" = 5'

1



PRESCOTT COMMUNICATIONS INC.

10540 Sepulveda Blvd, Suite 1, Mission Hills, CA 91345
Phone No.: (818)898-2352 Fax No.: (818)898-9186

PROJECT NO: 9CAB013903

DRAWN BY: DK

CHECKED BY: JM

0	06/12/17	90% CONSTRUCTION
1	09/27/17	REVISED PER PG&E STANDARDS

IT IS A VIOLATION OF THE LAW FOR ANY PERSON, UNLESS THEY ARE ACTING UNDER THE DIRECTION OF A LICENSED PROFESSIONAL ENGINEER, TO ALTER THIS DOCUMENT

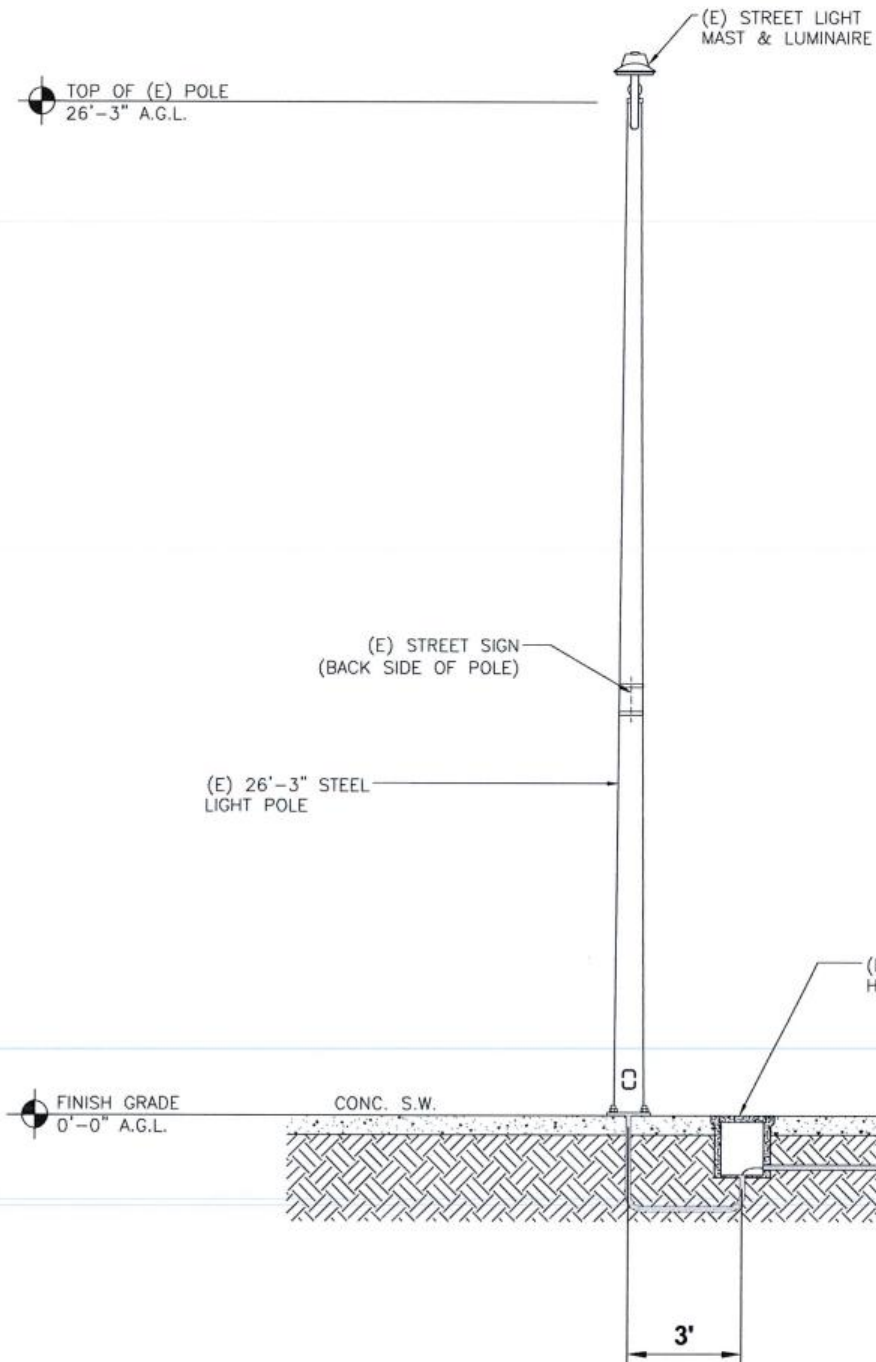
9CAB013903
OAKLAND, CA 94607
(E) 26'-3" STEEL LIGHT POLE

SHEET TITLE
POLE ELEVATIONS

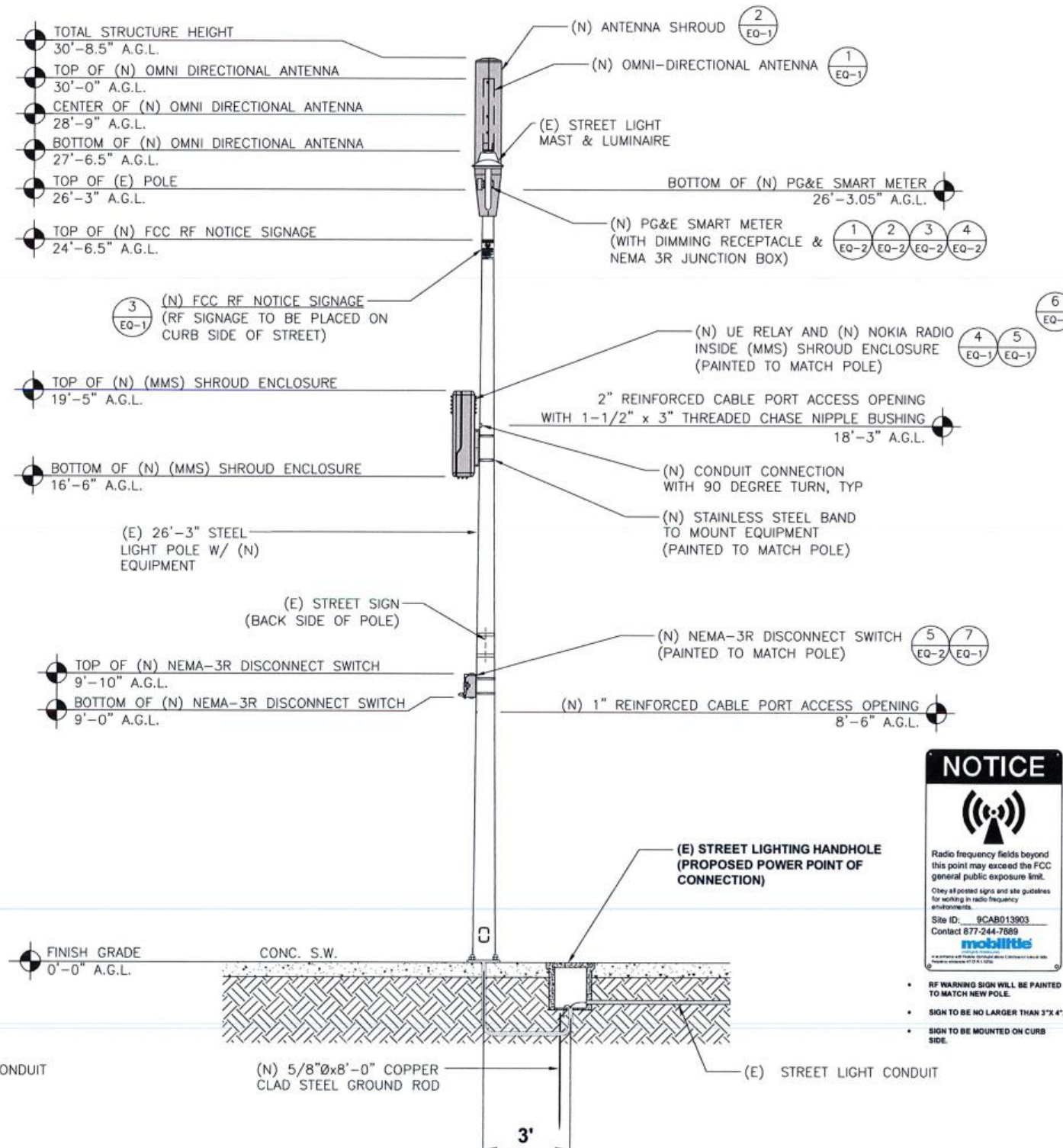
SHEET NUMBER
EV-1

PG&E METERING AND SERVICE CONNECTIONS FOR NON-PG&E OWNED STEEL STREETLIGHT POLES WITH ANTENNA AND COMMUNICATION EQUIPMENT

5. A DISCONNECT SWITCH MUST BE INSTALLED AND MEETS ALL OF THE FOLLOWING REQUIREMENTS BELOW. THE SWITCH WILL BE USED AS PART OF THE NORMAL OR EMERGENCY SHUTDOWN PROTOCOLS REQUIRED IN CALIFORNIA PUBLIC UTILITY COMMISSION (CPUC) GENERAL ORDER 95, RULE 94.
 - 5.1. THE SWITCH SHALL DE-ENERGIZE ALL POWER SUPPLIES, INCLUDING BACK-UP POWER, AND ANY COMMUNICATION EQUIPMENT EMITTING RADIO FREQUENCIES (RF).
 - 5.2. THE SWITCH MUST **NOT** DE-ENERGIZE (TURN OFF) THE STREET LIGHT(S).
 - 5.3. THE SWITCH MUST BE READILY ACCESSIBLE AND ATTACHED EXTERNALLY ON THE POLE LESS THAN 10 FEET ABOVE GRADE. AS MEASURED TO THE TOP OF THE SWITCH ENCLOSURE.
 - 5.4. THE SWITCH MAY **NOT** BE INSTALLED INSIDE THE POLE, IN THE BASE OF THE POLE, OR IN A SUBSURFACE ENCLOSURE.
 - 5.5. PROVISIONS FOR LOCKING THE DISCONNECT SWITCH IN THE OFF POSITION ARE REQUIRED.



EXISTING FRONT VIEW



NEW FRONT VIEW

NOTES:

1. ALL HARDWARE SHALL BE STAINLESS STEEL.
2. ALL CABLES SHALL BE SECURED TO POLE EVERY 36" OR LESS.
3. LIGHTNING RODS SHALL BE INCLUDED AS REQUIRED.
4. STRUCTURAL BACKFILL TO BE COMPACTED IN 6" MAXIMUM LAYERS TO 95% OF CONTENT IN ACCORDANCE WITH ASTM D698. ADDITIONALLY, STRUCTURAL BACKFILL MUST HAVE A MINIMUM COMPACTED UNIT WEIGHT OF 100 POUNDS PER CUBIC FOOT (16kN/m3)



- RF WARNING SIGN WILL BE PAINTED TO MATCH NEW POLE.
- SIGN TO BE NO LARGER THAN 3'x4'.
- SIGN TO BE MOUNTED ON CURB SIDE.

POLE ELEVATIONS

SCALE: 1" = 5'

1



PRESCOTT COMMUNICATIONS INC.
10640 Sepulveda Blvd. Suite 1, Mission Hills, CA 91345
Phone No.: (818)898-2352 Fax No.: (818)898-9186

PROJECT NO:	9CAB013903
DRAWN BY:	DK
CHECKED BY:	JM

0	06/12/17	90% CONSTRUCTION
1	09/27/17	REVISED PER PG&E STANDARDS

IT IS A VIOLATION OF THE LAW FOR ANY PERSON, UNLESS THEY ARE ACTING UNDER THE DIRECTION OF A LICENSED PROFESSIONAL ENGINEER, TO ALTER THIS DOCUMENT

9CAB013903
OAKLAND, CA 94607
(E) 26'-3" STEEL LIGHT POLE

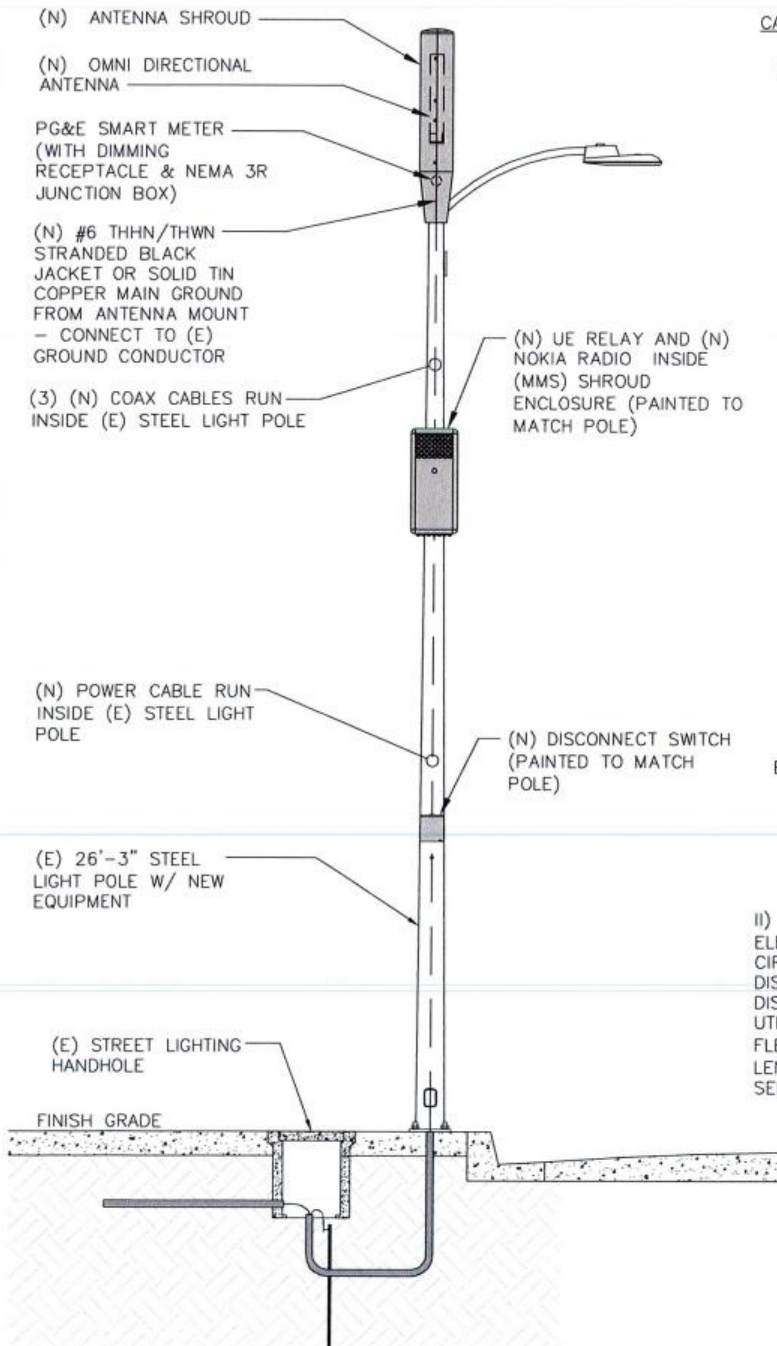
SHEET TITLE
POLE ELEVATIONS

SHEET NUMBER
EV-2

NOTE:
 1. CABLING DIAGRAM IS FOR CLARITY OF CABLE ROUTE AND TERMINATION ONLY. CONTRACTOR SHALL INSTALL CABLES WITH MINIMAL VISUAL IMPACT ON (E) STEEL LIGHT POLE. SEE ELEVATION DRAWING FOR EQUIPMENT AND ANTENNA LOCATIONS.

CABLING NOTES:

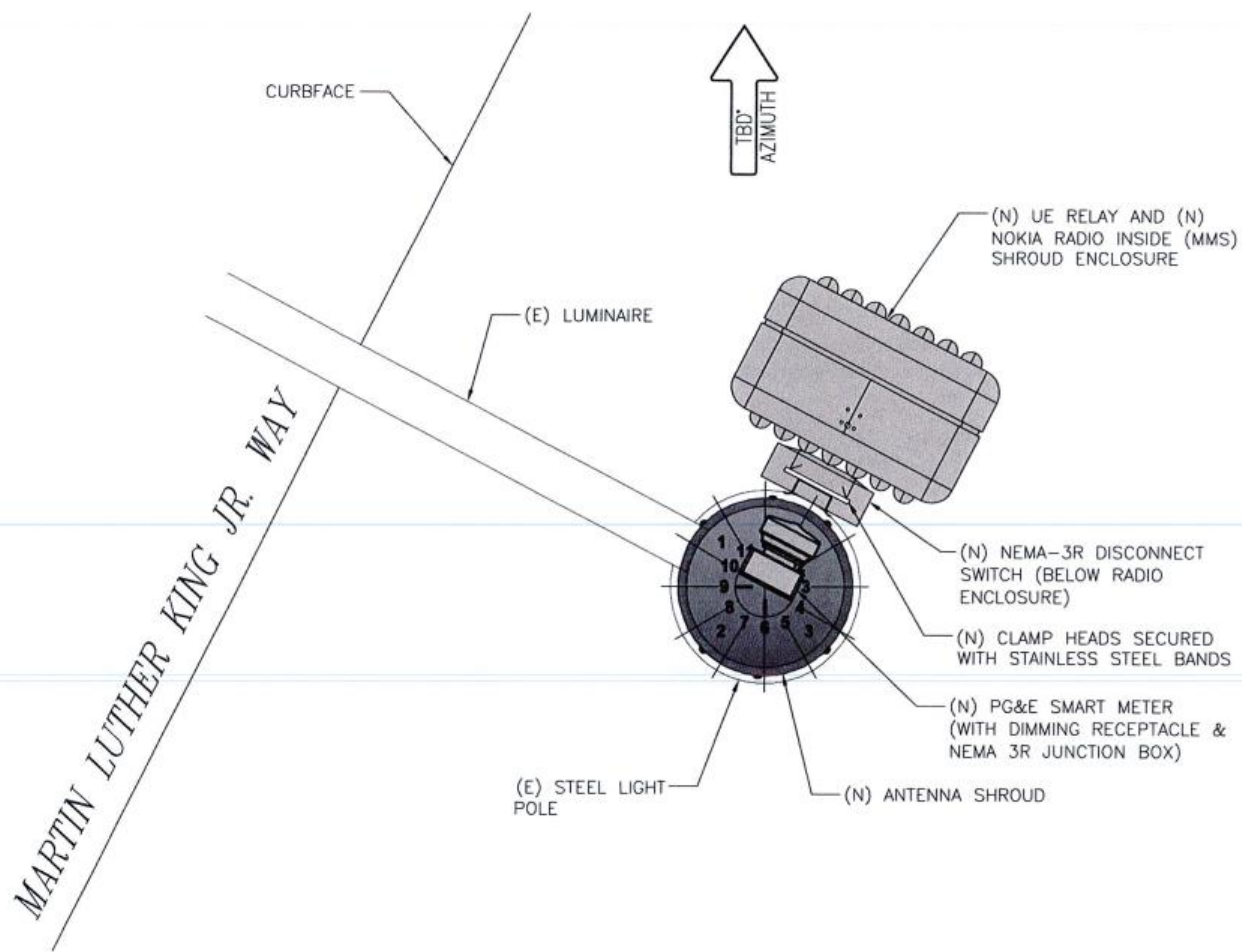
- A) WOOD, CONCRETE AND EXISTING METALLIC POLES
 I) FROM GRADE LINE TO 11'-0" ABOVE GRADE, ALL CABLES/CONDUCTORS EXCEPT GROUNDING CONDUCTOR MUST RUN IN RIGID GALVANIZED STEEL CONDUIT (RGS)
 II) GROUNDING CONDUCTORS IN EXPOSED LOCATIONS MUST BE INSTALLED IN PVC.
 III) IN EARTH INSTALL PVC CONDUIT FOR BACKHAUL AND ELECTRICAL SERVICE. TRANSITION TO RGS AT GRADE LINE.
 IV) ABOVE 11'-0" ALL CABLES (POWER, ETHERNET, COAXIAL) MUST RUN IN PVC UTILITY POLE RISER.
 (1) AT MAJOR EQUIPMENT, EXTEND UTILITY DUCT IMMEDIATELY ADJACENT TO THE EQUIPMENT. INSTALL CABLES IN THE UTILITY POLE RISER CREATING CABLE DRIP LOOPS NOT LESS THAN THE CABLE BENDING RADIUS.
 (2) INSIDE THE UTILITY POLE RISER, UTILIZE 1/2" COAX BLOCKS WITH LAG SCREWS TO SUPPORT COAX, RADIO AND MW POWER, RF COAX, AND ETHERNET CABLES TO WITHIN 12" OF THE EQUIPMENT BEING SERVED AND ON INTERVALS NOT TO EXCEED 6".
 V) FOR UNDERGROUND HFC/PUBLIC BACKHAUL, ROUTE ETHERNET CABLE IN CONDUIT UP THE POLE AND ENTER THE UTILITY POLE RISER. SEAL EXPOSED END OF CONDUIT WITH A CABLE TERMINATION FITTING.
 VI) BY APPROVAL IN SELECT CASES LIQUID-TIGHT FLEXIBLE METALLIC CONDUIT (LFMC) MAY BE USED IN LENGTHS NOT TO EXCEED 36" TO EXTEND THE ELECTRICAL SERVICE CONDUIT TO THE AC DISTRIBUTION BOX. EXAMPLE: UTILITY-REQUIRED DISCONNECT ON POLE W/ AC DISTRIBUTION BOX ON OPPOSITE SIDE OF POLE.
 B) (N) METALLIC POLES
 I) PROCURE (N) POLES WITH SUITABLE HAND HOLES SUCH THAT HAND HOLES EXIST AT ALL EQUIPMENT LOCATIONS.
 (1) WITH CLIENT APPROVAL IN SELECT CASES TO FACILITATE IMPROVED APPEARANCE, 1/2" COAXIAL CABLES MAY BE "SUPERFLEX" IN LIEU OF LDF-4.
 II) WHERE POSSIBLE, INSTALL POLE BASE SUCH THAT THE ELECTRICAL FEED AND BACKHAUL (IF UNDERGROUND) CIRCUIT ENTER THE POLE THROUGH THE POLE BASE. IF A DISCONNECTING MEANS SEPARATE FROM THE AC DISTRIBUTION BOX IS REQUIRED BY JURISDICTION OR UTILITY, WITH APPROVAL IN SELECT CASES LIQUID-TIGHT FLEXIBLE METALLIC CONDUIT (LFMC) MAY BE USED IN LENGTHS NOT TO EXCEED 36" TO EXTEND THE ELECTRICAL SERVICE CONDUIT TO THE AC DISTRIBUTION BOX.



PLUMBING DIAGRAM
 SCALE: NOT TO SCALE 1

EQUIPMENT CHART			
QTY.	DESCRIPTION	DIMENSIONS	WEIGHT
1	ANTENNA MODEL #AW3477-S1-G (OMNI DIRECTIONAL ANTENNA)	29.5" x 4.5"Ø	7 LBS
1	CONCEALFAB ANTENNA SHROUD	47.375" x 17" x 10.75"Ø	16.11 LBS
1	(MMS) SHROUD ENCLOSURE	35" x 15.5" x 9"	12 LBS
1	AIRSPAN IR460 (UE RELAY)	13" x 7"Ø	8.8 LBS
1	NOKIA RADIO (B41 FWHR) HIGH POWER	7.7" x 12.9" x 6.3"	24.64 LBS
3	FANS (2 SMALL, 1 LARGER)		2.76 LBS
1	SMART METER	2.67" x 4.5"Ø	-
1	RECEPTACLE	-	-
1	ALLEN-BRADLEY NEMA 3R JUNCTION BOX	4.53" x 2.58" x 2.17"	-
1	SIEMENS DISCONNECT SWITCH MODEL #GNF321 NEMA-3R	9.9" x 8.8" x 4.5"	5 LBS.
TOTAL WEIGHT			76.31 LBS

EQUIPMENT CHART
 SCALE: NOT TO SCALE 2



RISER DIAGRAM
 SCALE: NOT TO SCALE 3



C&S cable engineering services
 PRESCOTT COMMUNICATIONS INC.
 10640 Sepulveda Blvd, Suite 1, Mission Hills, CA 91345
 Phone No.: (818)998-2352 Fax No.: (818)998-9186

PROJECT NO: 9CAB013903
 DRAWN BY: DK
 CHECKED BY: JM

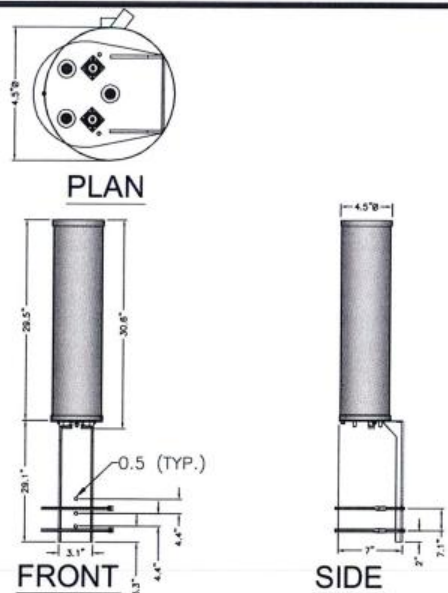
REV	DATE	DESCRIPTION
0	06/12/17	90% CONSTRUCTION
1	09/27/17	REVISED PER PG&E STANDARDS

IT IS A VIOLATION OF THE LAW FOR ANY PERSON, UNLESS THEY ARE ACTING UNDER THE DIRECTION OF A LICENSED PROFESSIONAL ENGINEER, TO ALTER THIS DOCUMENT

9CAB013903
 OAKLAND, CA 94607
 (E) 26'-3" STEEL LIGHT POLE

SHEET TITLE
PLUMBING & RISER DIAGRAM

SHEET NUMBER
PL-1

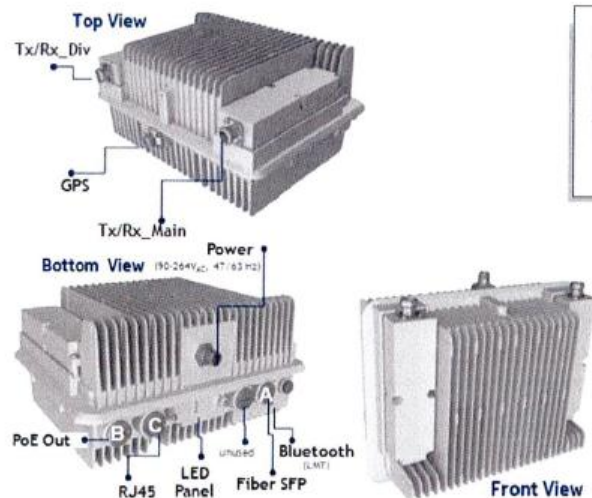


MANUFACTURER: ALPHA WIRELESS
MODEL: AW3477-S1-G
HEIGHT: 29.5 IN
DIAMETER: 4.5 IN Ø
WEIGHT: 7 LBS



ALPHA AW3477-S1-G OMNI (B41)

SCALE N.T.S. 1



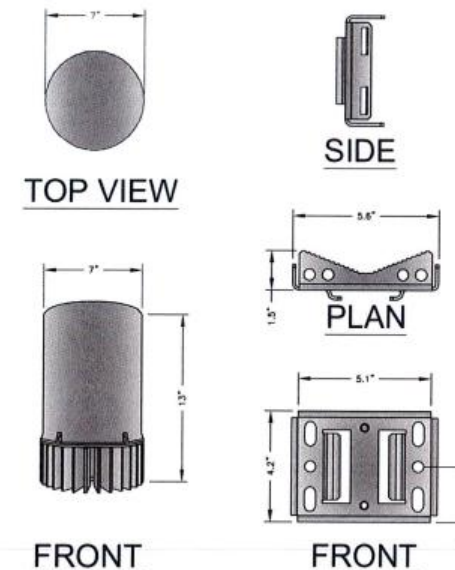
MANUFACTURER: NOKIA
MODEL: FWHR B41 HP
(OR APPROVED EQUAL)
HEIGHT: 9.7 IN
WIDTH: 12.9 IN
DEPTH: 6.3 IN
WEIGHT: 24.7 LBS



NOKIA RADIO FWHR B41 HP

SCALE N.T.S. 4

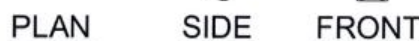
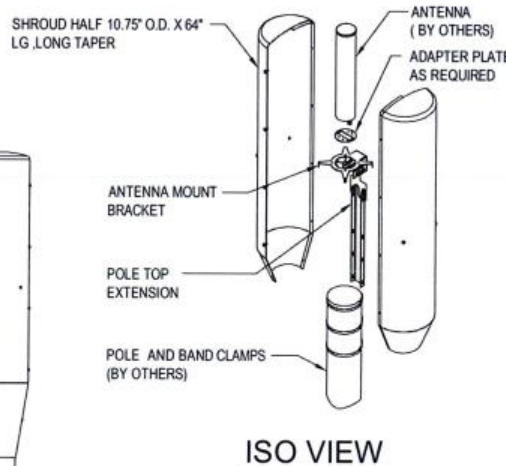
MANUFACTURER: AIRSPAN
MODEL: iR460
(OR APPROVED EQUAL)
HEIGHT: 13 IN
DIAMETER: 7 IN Ø
DEPTH: 7 IN
WEIGHT: 8.8 LBS



iR460 UE RELAY/FLUSH MOUNT

SCALE N.T.S. 6

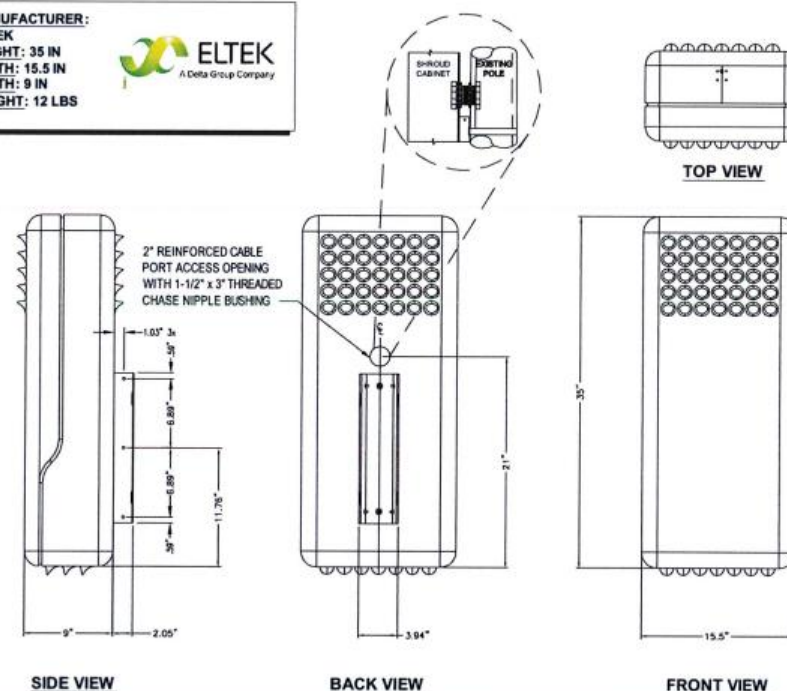
MANUFACTURER:	CONCEALFAB	
MODEL NO.:	007452-AABBCC	
DIMENSIONS:	TOTAL WEIGHT:	
A	47.375"	16.11 LBS
B	17"	
C	10.75" Ø	



ANTENNA SHROUD

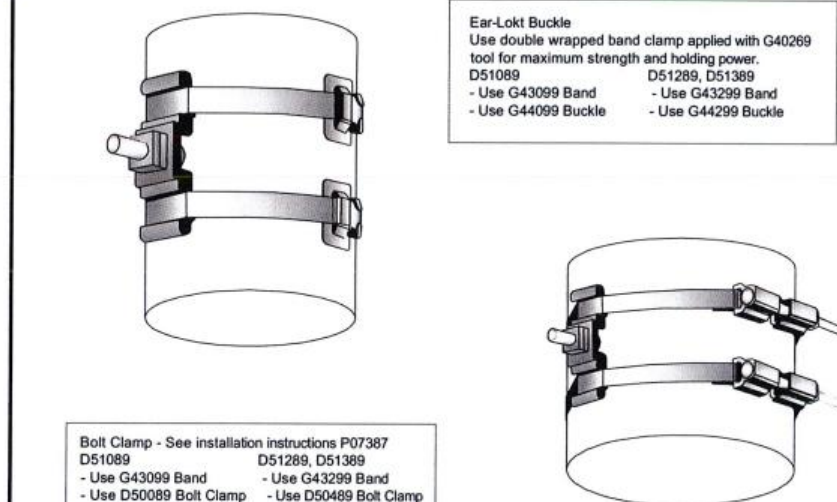
SCALE N.T.S. 2

MANUFACTURER: ELTEK
HEIGHT: 35 IN
WIDTH: 15.5 IN
DEPTH: 9 IN
WEIGHT: 12 LBS



(MMS) SHROUD ENCLOSURE

SCALE N.T.S. 5



STAINLESS STEEL BANDS

SCALE N.T.S. 7

NOTICE



- RF WARNING SIGN WILL BE PAINTED TO MATCH EXISTING POLE.
- SIGN TO BE NO LARGER THAN 3"X 4".
- SIGN TO BE MOUNTED ON CURB SIDE.

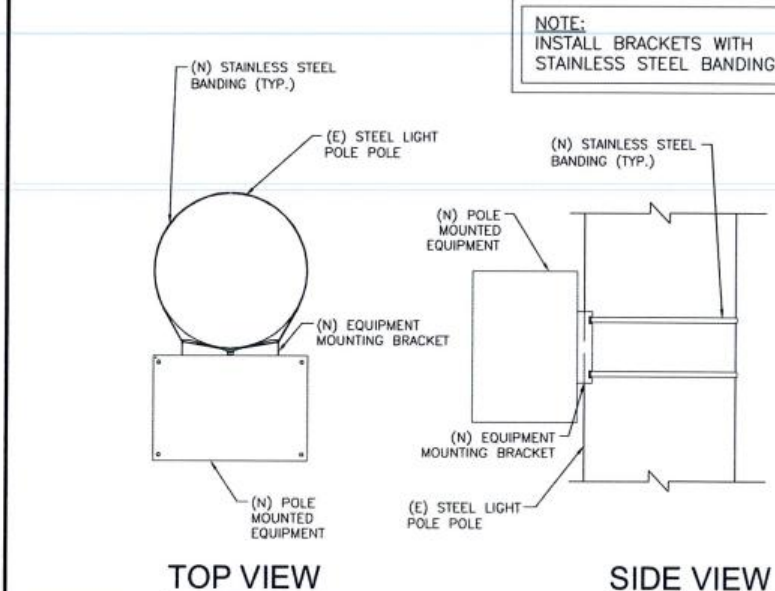
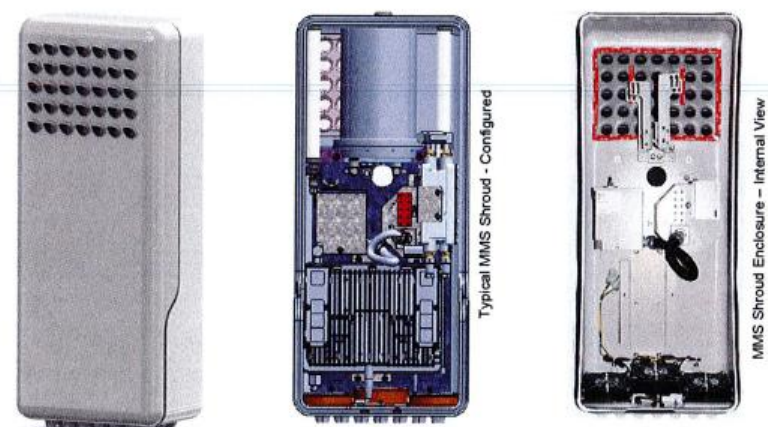
- NOTICE**
NOV EMERGENCY NNDI SITE POWER SHUT DOWN PROCEDURES.
- FOR NON EMERGENCY SCHEDULED POWER SHUT DOWN
 - CALL MOBILITE (877) 244-7889
 - 24 HRS PRIOR TO SCHEDULED POWER SHUT OFF PROVIDE THE FOLLOWING INFORMATION:
 - SITE NUMBER IDENTIFIED ON SITE NUMBERING STICKER
 - YOUR NAME AND REASON FOR POWER SHUT OFF
 - PROVIDE DURATION OF OUTAGE
 - PULL DISCONNECT HANDLE TO "OFF" POSITION
 - POWER SHUT OFF VERIFICATION WITH APPROVED PG&E PROCEDURES
 - NOTIFY MOBILITE UPON COMPLETION OF WORK
 - RESTORE POWER BY PLACING POWER DISCONNECT HANDLE IN THE "ON" POSITION
 - REINSTALL LOCK ON POWER HANDLE
 - EMERGENCY POWER SHUT OFF
 - CALL MOBILITE (877) 244-7889
 - PROVIDE THE FOLLOWING INFORMATION:
 - SITE NUMBER IDENTIFIED ON SITE NUMBERING STICKER
 - YOUR NAME AND REASON FOR POWER SHUT OFF
 - PROVIDE DURATION OF OUTAGE
 - PULL DISCONNECT HANDLE TO "OFF" POSITION
 - POWER SHUT OFF VERIFICATION WITH APPROVED PG&E PROCEDURES
 - NOTIFY MOBILITE UPON COMPLETION OF WORK
 - RESTORE POWER BY PLACING POWER DISCONNECT HANDLE IN THE "ON" POSITION
 - REINSTALL LOCK ON POWER HANDLE

SHUT DOWN PROCEDURE SIGN

ANTENNA RF SIGNAGE

POLE MOUNTED SIGNS

SCALE N.T.S. 3



EQUIPMENT MOUNTING DETAIL

SCALE N.T.S. 8



PRESCOTT COMMUNICATIONS INC.

10640 Sepulveda Blvd. Suite 1, Mission Hills, CA 91345
Phone No.: (818) 998-2352 Fax No.: (818) 998-0186

PROJECT NO: 9CAB013903

DRAWN BY: DK

CHECKED BY: JM

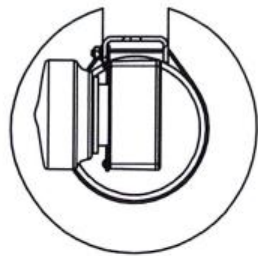
0	06/12/17	90% CONSTRUCTION
1	09/27/17	REVISED PER PG&E STANDARDS

IT IS A VIOLATION OF THE LAW FOR ANY PERSON, UNLESS THEY ARE ACTING UNDER THE DIRECTION OF A LICENSED PROFESSIONAL ENGINEER, TO ALTER THIS DOCUMENT

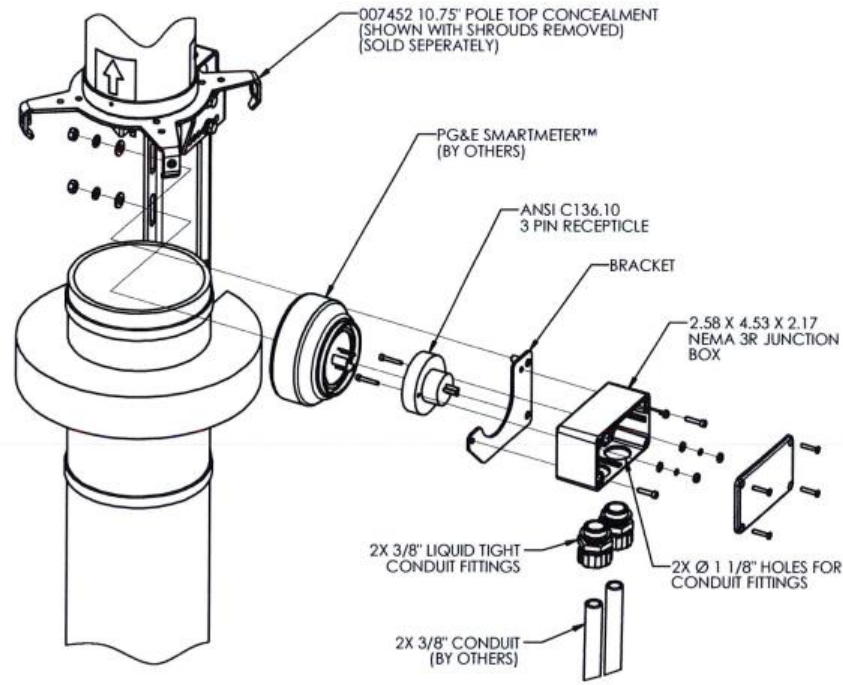
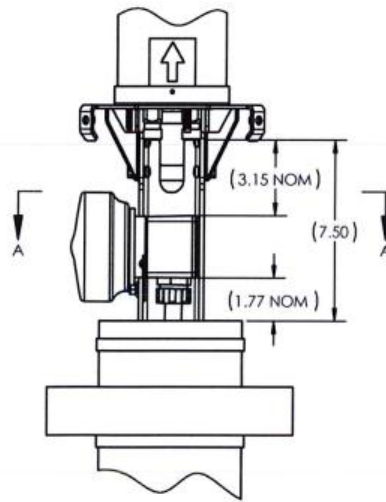
9CAB013903
OAKLAND, CA 94607
(E) 26'-3" STEEL LIGHT POLE

SHEET TITLE
EQUIPMENT DETAILS

SHEET NUMBER
EQ-1

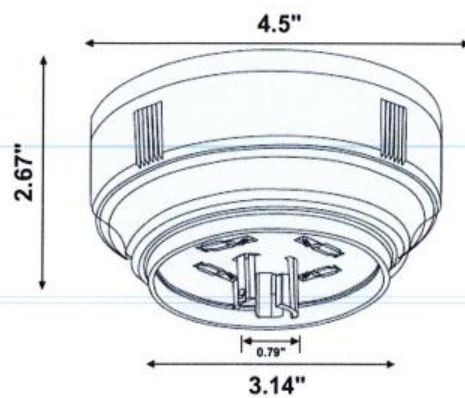


SECTION A-A



PG&E SMART METER

SCALE
N.T.S. **1**



- UNIVERSAL AC INPUT 90V-305V, 50/60HZ
- AMPERE RATING: 15A MAX CONTINUOUS
- ADVANCED METERING INFRASTRUCTURE (AMI) NETWORK COMMUNICATION CARD TO REMOTELY SEND ENERGY USAGE BACK TO THE HEAD-END SYSTEM:
- DATE RATE: 50 TO 300 KBPS
- FREQUENCY RANGE: 902-928 MHZ
- SPREAD SPECTRUM: FREQUENCY HOPPING
- TRANSMITTER OUTPUT: 27-30 DBM (1W)
- RECEIVER SENSITIVITY: -98 DBM FOR 10% PER
- PROTOCOL: IEEE 802.15.4G



PG&E SMART METER

SCALE
N.T.S. **2**

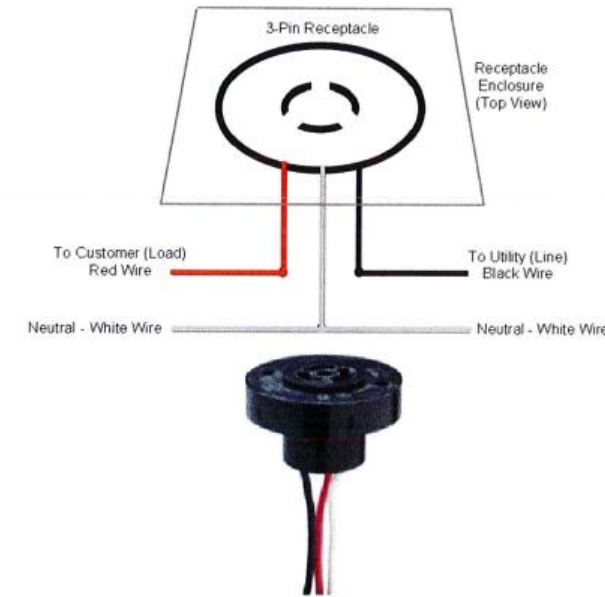
NEMA 3R JUNCTION BOX

SCALE
N.T.S. **3**



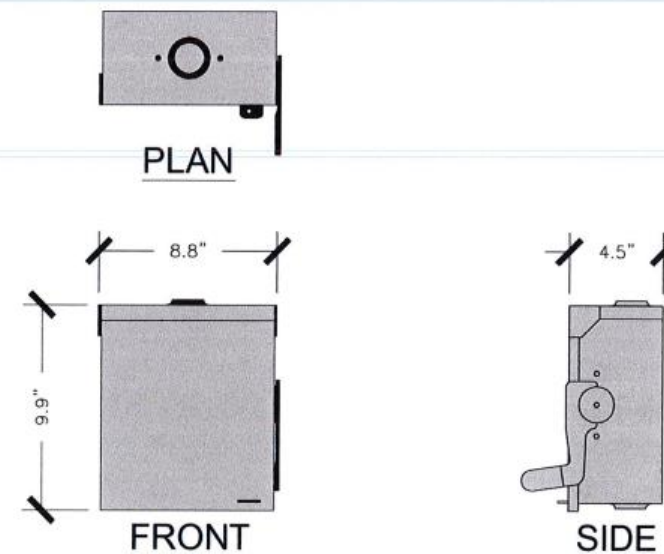
MANUFACTURER:
ALLEN-BRADLEY
MODEL: 598-BS533
HEIGHT: 4.53 IN
WIDTH: 2.58 IN
DEPTH: 2.17 IN
WEIGHT: TBD

Rockwell Automation
Allen-Bradley



DIMMING RECEPTACLE

SCALE
N.T.S. **4**



MANUFACTURER:
SIEMENS
MODEL: GNF321R
(OR APPROVED EQUAL)
HEIGHT: 9.9 IN
WIDTH: 8.8 IN
DEPTH: 4.5 IN
WEIGHT: 5 LBS

SIEMENS

SEE DETAIL



mobilitie
intelligent infrastructure

C&S cable engineering services

PRESCOTT COMMUNICATIONS INC.

10640 Sepulveda Blvd, Suite 1, Mission Hills, CA 91345
Phone No.: (818)996-2352 Fax No.: (818)996-9186

PROJECT NO: 9CAB013903

DRAWN BY: DK

CHECKED BY: JM

0	06/12/17	90% CONSTRUCTION
1	09/27/17	REVISED PER PG&E STANDARDS

IT IS A VIOLATION OF THE LAW FOR ANY PERSON, UNLESS THEY ARE ACTING UNDER THE DIRECTION OF A LICENSED PROFESSIONAL ENGINEER, TO ALTER THIS DOCUMENT

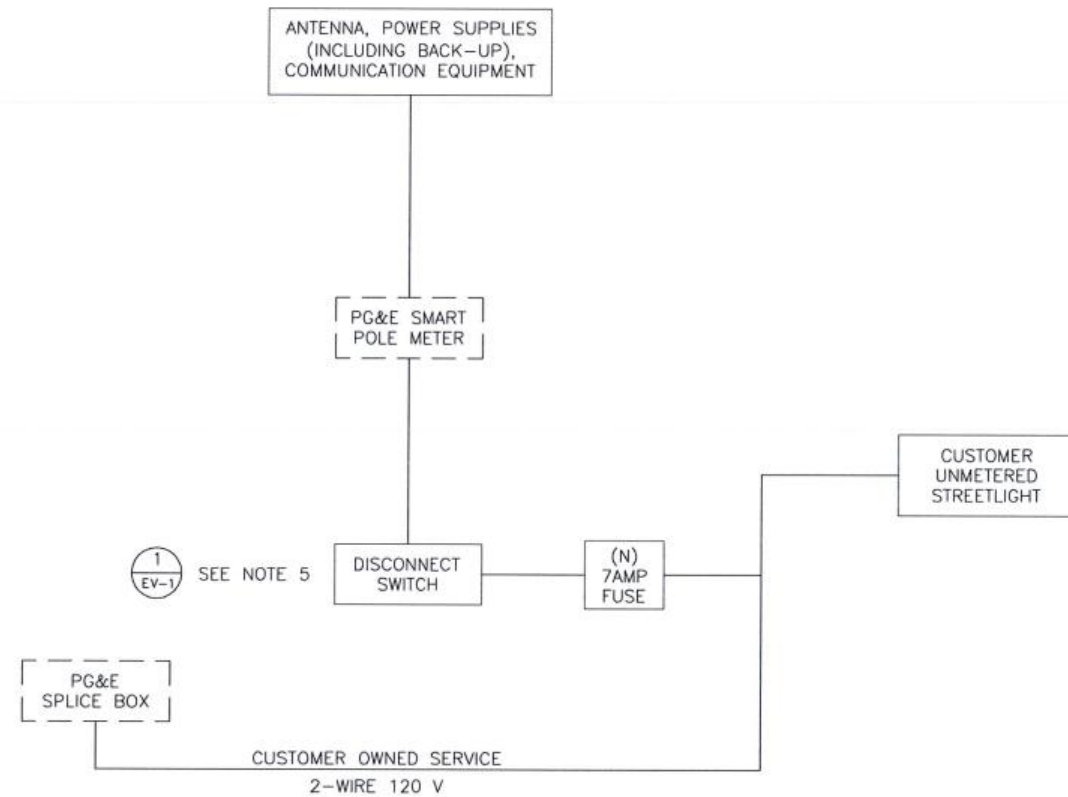
9CAB013903
OAKLAND, CA 94607
(E) 26'-3" STEEL LIGHT POLE

SHEET TITLE
EQUIPMENT DETAILS

SHEET NUMBER
EQ-2

NEMA-3R DISCONNECT SWITCH

SCALE
N.T.S. **5**

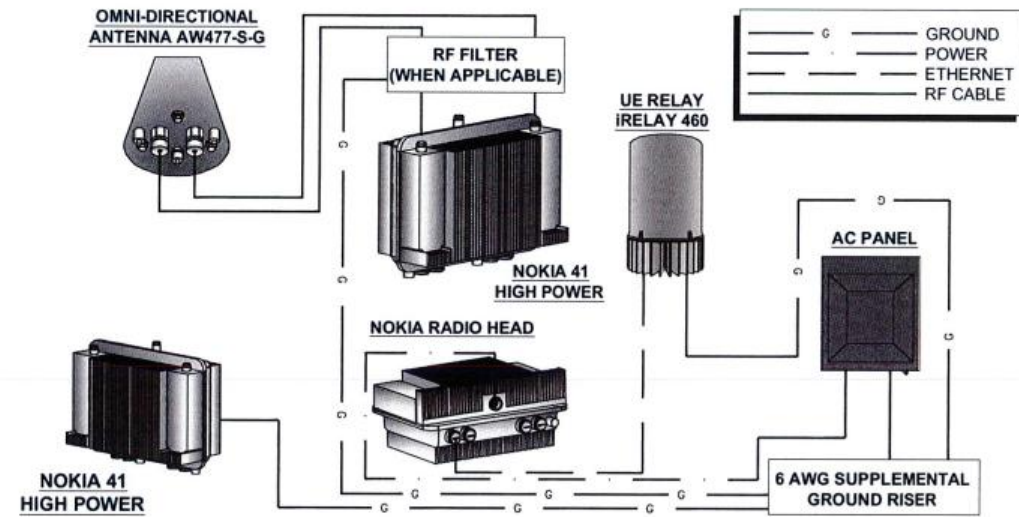


ONE-LINE DIAGRAM

SCALE: NOT TO SCALE

1

NOKIA MM RADIO W/ UE RELAY



WIRING DIAGRAM

SCALE: NOT TO SCALE

2

NOTES:

1. NOMINAL POWER IS CALCULATED AS 80% OF OEM DOCUMENTED MAXIMUM POWER.
2. CALCULATIONS FOR UE W/ NOKIA DO NOT NEED TO INCLUDE THE POWER FOR THE UE ANTENNA AS IT IS INCLUDED IN THE MAX POWER FIGURE. CALCULATIONS FOR UE W/ AIRSPAN MUST INCLUDE UE AS IT IS NOT INCLUDED
3. KVA IS CALCULATED FROM THE CONSUMPTION VALUE ASSUMING A PF=1. MAXIMUM POWER WAS USED FOR KVA. WHERE MAXIMUM WAS NOTED BY THE OEM THE QUOTED FIGURE WAS USED. WHERE AVERAGE/NOMINAL POWER WAS NOTED BY THE OEM MAXIMUM POWER WAS CALCULATED BY INCREASING AVERAGE/NOMINAL POWER BY A FACTOR OF 50%
4. COST PER KW PROVIDED BY BRAIN KOOYMAN

NOKIA SCENARIO 3 B41 HIGH POWER RADIO AND UE BACKHAUL									
UNIT	SUB DESCRIPTION	MAX POWER	NOMINAL POWER	AVERAGE POWER (W)	CONS. (W)	KVA	KWH/YR	\$/YR	\$/MO
FWHR	B41 High	360	288	N/A	288	0.36	2522.88	\$276.51	\$23.04
AIRSPAN UE RELAY	IR460-SPB-ST1-P-0	N/A	N/A	N/A	0	0	0	\$-	\$-
TOTAL					288	0.36	2522.88	\$276.51	\$23.04

LOAD CALCULATIONS

SCALE: NOT TO SCALE

3



PRESCOTT COMMUNICATIONS INC.
 10640 Sepulveda Blvd, Suite 1, Mission Hills, CA 91345
 Phone No.: (818)998-2352 Fax No.: (818)998-8186

PROJECT NO:	9CAB013903
DRAWN BY:	DK
CHECKED BY:	JM

0	06/12/17	90% CONSTRUCTION
1	09/27/17	REVISED PER PG&E STANDARDS

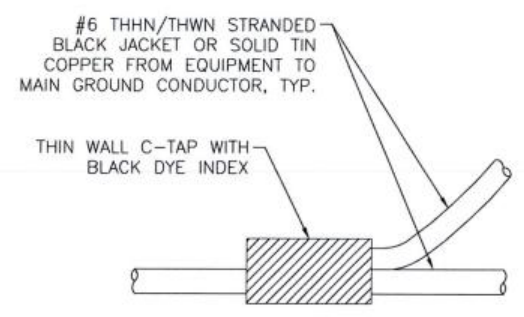
IT IS A VIOLATION OF THE LAW FOR ANY PERSON, UNLESS THEY ARE ACTING UNDER THE DIRECTION OF A LICENSED PROFESSIONAL ENGINEER, TO ALTER THIS DOCUMENT

9CAB013903
 OAKLAND, CA 94607
 (E) 26'-3" STEEL LIGHT POLE

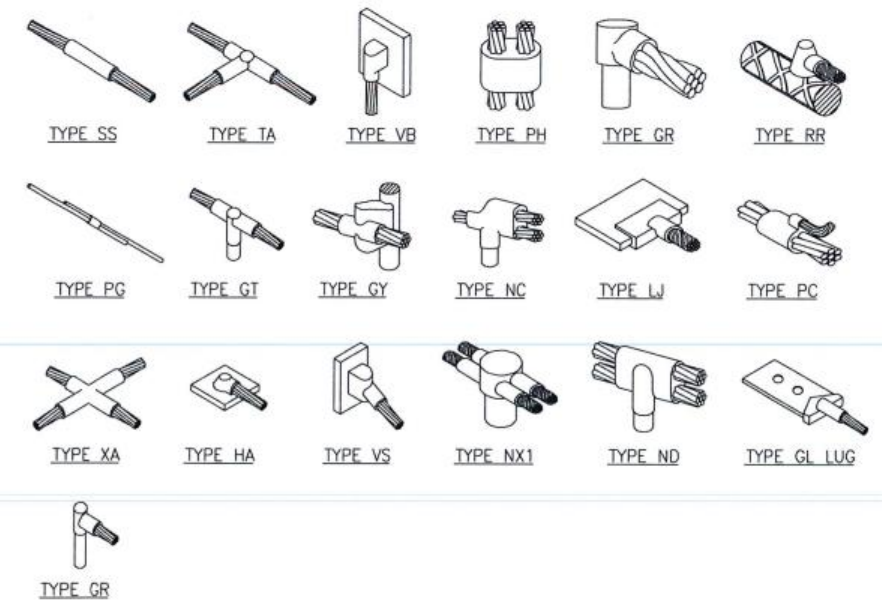
SHEET TITLE
ELECTRICAL DETAILS

SHEET NUMBER
E-1

NOTE:
CONTRACTOR TO SURROUND COMPLETED CONNECTION WITH HEAT-SHRINK TUBING TO ENSURE WEATHER PROOF CONNECTION

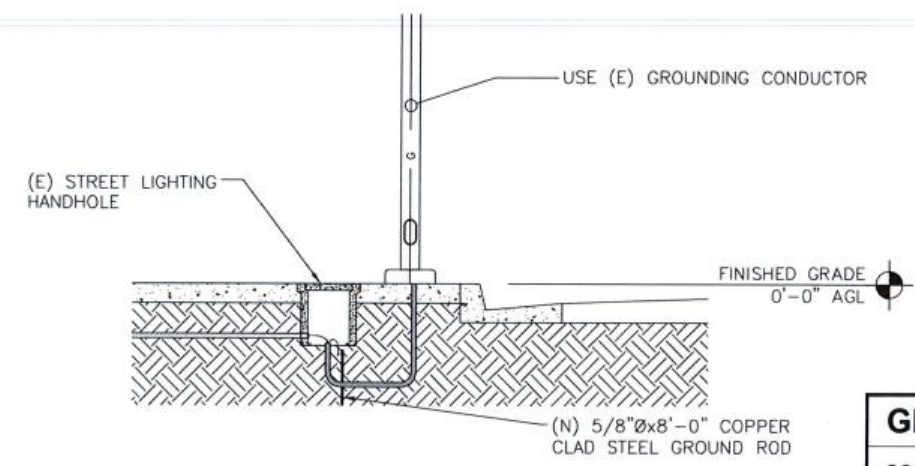
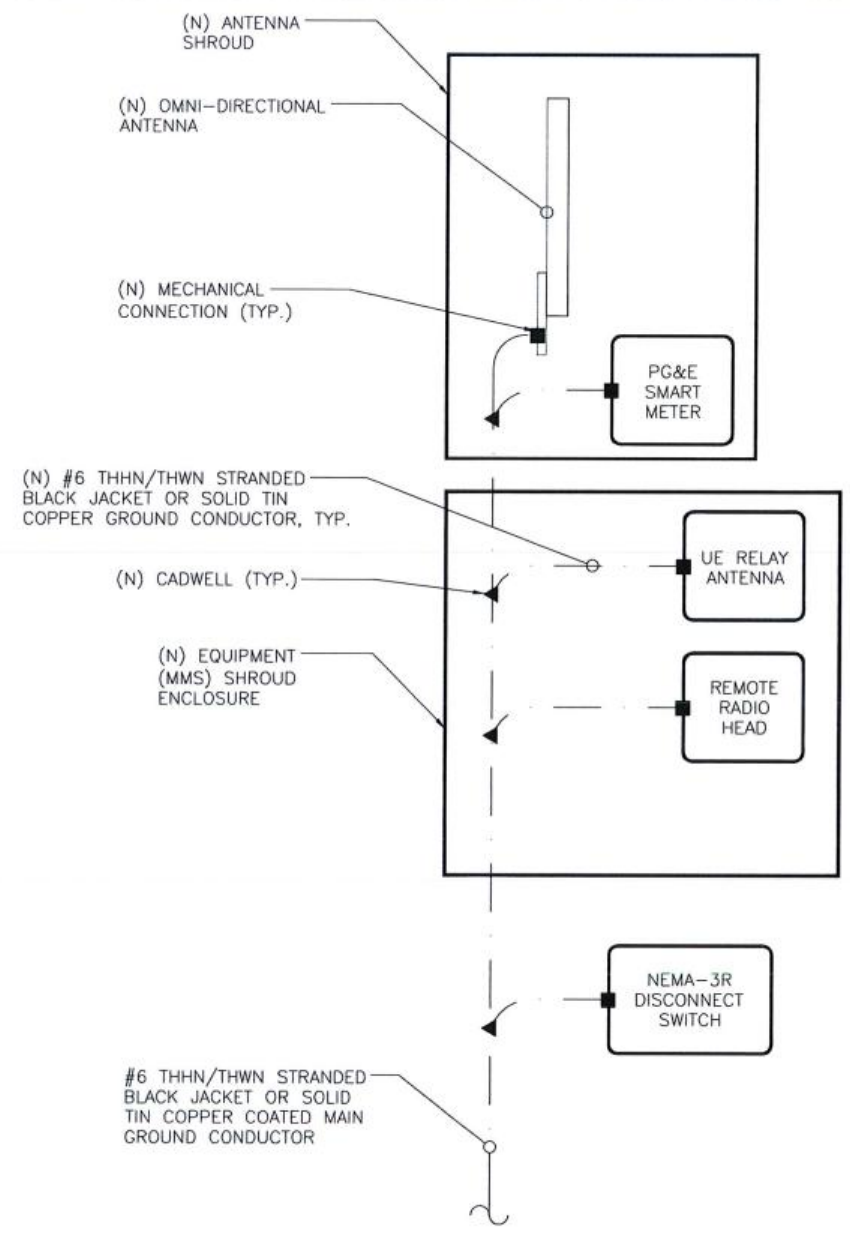


C-TAP DETAIL
SCALE: NOT TO SCALE **1**



- GROUNDING BONDS:** ALL BONDS ARE TO BE MADE WITH #2 AWG STRANDED COPPER IN GREEN INSULATION. (ATT-TP-76416 7, 6.7)
- EXTERIOR UNIT BONDS:** ALL METALLIC OBJECTS SHALL BE BONDED TO THE GROUND ROD. (ATT-TP-76416 7, 12.6)
- GROUND ROD:** UL LISTED COPPER CLAD STEEL GROUND ROD WITH MINIMUM DIAMETER OF 5/8" AND MINIMUM LENGTH OF 8 FEET. ALL GROUND RODS MAY BE INSTALLED WITH INSPECTION SLEEVES. GROUND RODS SHALL BE DRIVEN TO A MINIMUM DEPTH OF 30" BELOW GRADE OR 6 INCHES BELOW FROST LINE. (ATT-TP-76416 1.4 / 2.2, 3, 10)

WELD CONNECTION DETAILS
SCALE: NOT TO SCALE **2**



GROUNDING RISER DIAGRAM
SCALE: NOT TO SCALE **3**

◀	CADWELD	—	GROUND WIRE
■	MECHANICAL CONNECTION	⊥	GROUND
⊥	COPPER GROUND BAR (GB)		
⊙	5/8" x 8' COPPER CLAD STEEL GROUND ROD		

GROUNDING SYMBOLS

- NOTES:**
- GROUNDING RISER FOR DIAGRAMMATIC PURPOSES ONLY. SEE ELEVATION DRAWING FOR EQUIPMENT AND ANTENNA LOCATIONS.
 - ALL RGS TO BE GROUNDED AT BOTH ENDS USING GROUNDING BUSHINGS
 - GROUND WIRE BELOW 11' AGL TO BE RUN IN 1/2" SCHEDULE 40 PVC



PRESCOTT COMMUNICATIONS INC.
10640 Sepulveda Blvd. Suite 1, Mission Hills, CA 91345
Phone No.: (818)998-2352 Fax No.: (818)998-9186

PROJECT NO:	9CAB013903
DRAWN BY:	DK
CHECKED BY:	JM

0	06/12/17	90% CONSTRUCTION
1	09/27/17	REVISED PER PG&E STANDARDS

IT IS A VIOLATION OF THE LAW FOR ANY PERSON, UNLESS THEY ARE ACTING UNDER THE DIRECTION OF A LICENSED PROFESSIONAL ENGINEER, TO ALTER THIS DOCUMENT

9CAB013903
OAKLAND, CA 94607
(E) 26'-3" STEEL LIGHT POLE

SHEET TITLE
GROUNDING DETAILS

SHEET NUMBER
G-1

GENERAL CONSTRUCTION NOTES:

1. ALL WORK SHALL CONFORM TO THE REQUIREMENTS OF THE LOCAL BUILDING CODE, THE LATEST ADOPTED EDITION AND ALL OTHER APPLICABLE CODES AND ORDINANCES.
2. CONTRACTOR SHALL CONSTRUCT SITE IN ACCORDANCE WITH THESE DRAWINGS AND LATEST MOBILITIE CONSTRUCTION STANDARDS. THE SPECIFICATION IS THE RULING DOCUMENT AND ANY DISCREPANCIES BETWEEN THE SPECIFICATION AND THE CONSTRUCTION DRAWINGS SHALL BE BROUGHT TO THE ATTENTION OF THE ARCHITECT/ENGINEER OR MOBILITIE CM PRIOR TO THE COMMENCEMENT OF WORK.
3. CONTRACTOR SHALL VISIT THE JOB SITE AND SHALL FAMILIARIZE THEMSELVES WITH ALL CONDITIONS AFFECTING THE (N) WORK AND SHALL MAKE PROVISIONS AS TO THE COST THEREOF. CONTRACTOR SHALL BE RESPONSIBLE FOR FAMILIARIZING THEMSELVES WITH ALL CONTRACT DOCUMENTS, FIELD CONDITIONS AND DIMENSIONS AND CONFIRMING THAT THE WORK MAY BE ACCOMPLISHED, AS SHOWN, PRIOR TO PROCEEDING WITH CONSTRUCTION. ANY DISCREPANCIES SHALL BE BROUGHT TO THE ATTENTION OF THE ARCHITECT/ENGINEER OR MOBILITIE CM PRIOR TO THE COMMENCEMENT OF WORK. NO COMPENSATION WILL BE AWARDED BASED ON CLAIM OF LACK OF KNOWLEDGE OF FIELD CONDITIONS.
4. IT IS NOT THE INTENT OF THESE PLANS TO SHOW EVERY MINOR DETAIL OF CONSTRUCTION. CONTRACTOR IS REQUIRED TO FURNISH AND INSTALL ANY/ALL ITEMS FOR A COMPLETE AND FULLY FUNCTIONAL SYSTEM SUBJECT ONLY TO OWNER-SUPPLIED ITEMS. CONTRACTOR SHALL PROVIDE ANY/ALL REQUIREMENTS FOR THE EQUIPMENT TO BE PLACED IN PROPER WORKING ORDER.
5. PLANS ARE NOT TO BE SCALED. THESE PLANS ARE INTENDED TO BE A DIAGRAMMATIC OUTLINE ONLY UNLESS OTHERWISE NOTED. THE WORK SHALL INCLUDE FURNISHING MATERIALS, EQUIPMENT AND APPURTENANCES, AND LABOR NECESSARY TO EFFECT ALL INSTALLATIONS AS INDICATED ON THE DRAWINGS. OWNER PROVIDED MATERIALS WILL INCLUDE THOSE ITEMS LISTED IN THE EQUIPMENT DETAILS SECTION OF THESE DRAWING UNLESS OTHERWISE SPECIFIED OR PROVIDED TO THE CONTRACTOR IN WRITING PRIOR TO CONSTRUCTION START.
6. DIMENSIONS SHOWN ARE TO FINISH SURFACES UNLESS OTHERWISE NOTED. SPACING BETWEEN EQUIPMENT IS REQUIRED CLEARANCE. THEREFORE, IT IS CRITICAL TO FIELD VERIFY DIMENSIONS. SHOULD THERE BE ANY QUESTIONS REGARDING THE CONTRACT DOCUMENTS, (E) CONDITIONS AND/OR DESIGN INTENT, THE CONTRACTOR SHALL BE RESPONSIBLE FOR REPORTING ANY DISCREPANCIES TO THE ATTENTION OF THE MOBILITIE CM, IN WRITING, PRIOR TO THE COMMENCEMENT OF WORK.
7. DETAILS PROVIDED ARE FOR THE PURPOSE OF SHOWING DESIGN INTENT. MODIFICATIONS MAY BE REQUIRED TO SUIT JOB DIMENSIONS OR SITE CONDITIONS, AND SUCH MODIFICATIONS SHALL BE INCLUDED AS PART OF THE WORK.
8. CONTRACTOR SHALL PAY FOR APPLICABLE PERMITS, FEES, INSPECTIONS AND TESTING. CONTRACTOR IS TO OBTAIN PERMITS AND APPROVED SUBMITTALS PRIOR TO ORDERING MATERIALS AND THE COMMENCEMENT OF WORK.
9. THE TERM "PROVIDE" USED IN CONSTRUCTION DOCUMENTS AND SPECIFICATIONS, INDICATES THAT THE CONTRACTOR SHALL FURNISH AND INSTALL.
10. CONTRACTOR SHALL RECEIVE CLARIFICATION IN WRITING, AND SHALL RECEIVE IN WRITING AUTHORIZATION TO PROCEED BEFORE STARTING WORK ON ANY ITEMS NOT CLEARLY DEFINED OR IDENTIFIED BY THE CONTRACT DOCUMENTS.
11. CONTRACTOR SHALL SUPERVISE AND DIRECT THE WORK USING ACCEPTED INDUSTRY-STANDARD SKILLS AND ATTENTION. CONTRACTOR SHALL BE SOLELY RESPONSIBLE FOR CONSTRUCTION MEANS, METHODS, TECHNIQUES, SEQUENCES AND PROCEDURES AND FOR COORDINATING ALL PORTIONS OF THE WORK UNDER CONTRACT, UNLESS OTHERWISE NOTED.
12. CONTRACTOR SHALL BE RESPONSIBLE FOR THE SAFETY OF THE WORK AREA, ADJACENT AREAS AND BUILDING OCCUPANTS THAT ARE LIKELY TO BE AFFECTED BY THE WORK UNDER THIS CONTRACT. WORK SHALL CONFORM TO ALL OSHA REQUIREMENTS.
13. CONTRACTOR SHALL COORDINATE THEIR WORK WITH THE MOBILITIE CM AND SCHEDULE THEIR ACTIVITIES AND WORKING HOURS IN ACCORDANCE WITH THE REQUIREMENTS.

14. CONTRACTOR SHALL BE RESPONSIBLE FOR COORDINATING THEIR WORK WITH THE WORK OF OTHERS AS IT MAY RELATE TO RADIO EQUIPMENT, ANTENNAS AND ANY OTHER PORTIONS OF THE WORK.
15. CONTRACTOR SHALL INSTALL ALL EQUIPMENT AND MATERIALS IN ACCORDANCE WITH MANUFACTURERS RECOMMENDATIONS UNLESS SPECIFICALLY OTHERWISE INDICATED OR WHERE LOCAL CODES OR REGULATIONS TAKE PRECEDENCE.
16. CONTRACTOR SHALL MAKE NECESSARY PROVISIONS TO PROTECT (E) SURFACES, EQUIPMENT, IMPROVEMENTS, PIPING ETC. AND IMMEDIATE REPAIR, TO NEW CONDITION, ANY DAMAGE THAT OCCURS DURING CONSTRUCTION AT THE SOLE COST OF THE CONTRACTOR.
17. IN DRILLING HOLES, OR CORING, INTO CONCRETE WHETHER FOR FASTENING OR ANCHORING PURPOSES, OR PENETRATIONS THROUGH THE FLOOR FOR CONDUIT RUNS, PIPE RUNS, ETC., MUST BE CLEARLY UNDERSTOOD THAT REINFORCING STEEL SHALL NOT BE DRILLED INTO, CUT OR DAMAGED UNDER ANY CIRCUMSTANCES (UNLESS NOTED OTHERWISE). LOCATIONS OF REINFORCING STEEL ARE NOT DEFINITELY KNOWN AND THEREFORE MUST BE LOCATED BY THE CONTRACTOR USING APPROPRIATE METHODS AND EQUIPMENT PRIOR TO ANY DRILLING OR CORING OPERATIONS IN (E) CONCRETE.
18. CONTRACTOR SHALL REPAIR, TO NEW CONDITION, ALL (E) WALL SURFACES DAMAGED DURING CONSTRUCTION SUCH THAT THEY MATCH AND BLEND IN WITH ADJACENT SURFACES.
19. CONTRACTOR SHALL SEAL PENETRATIONS THROUGH FIRE RATED ASSEMBLIES OR MATERIALS WITH U.L. LISTED AND FIRE CODE APPROVED MATERIALS AND SYSTEMS THAT MEET OR EXCEED THE RATING OF THE ASSEMBLY IN WHICH THE NEW PENETRATION IS PLACED.
20. CONTRACTOR SHALL KEEP CONTRACT AREA CLEAN, HAZARD FREE, AND DISPOSE OF ALL DIRT, DEBRIS, AND RUBBISH. EQUIPMENT NOT SPECIFIED AS REMAINING ON THE PROPERTY OF THE OWNER SHALL BE REMOVED. LEAVE PREMISES IN CLEAN CONDITION AND FREE FROM PAINT SPOTS, DUST, OR SMUDGES OF ANY NATURE. CONTRACTOR SHALL BE RESPONSIBLE FOR MAINTAINING ALL ITEMS UNTIL COMPLETION OF CONSTRUCTION.
21. MINIMUM BEND RADIUS OF ANTENNA CABLES SHALL BE IN ACCORDANCE WITH CABLE MANUFACTURERS RECOMMENDATIONS.
22. CONTRACTOR SHALL MINIMIZE DISTURBANCE TO (E) SITE DURING CONSTRUCTION. EROSION CONTROL MEASURES, IF REQUIRED DURING CONSTRUCTION SHALL BE IN CONFORMANCE WITH JURISDICTIONAL OR STATE AND LOCAL GUIDELINES FOR EROSION AND SEDIMENT CONTROL AND COORDINATED WITH LOCAL REGULATORY AUTHORITIES. CONTRACTOR SHALL BE RESPONSIBLE FOR MAINTENANCE OF ANY EROSION CONTROL MEASURES, RECORD-KEEPING, MONITORING, AND REPORTING TO THE OWNER AND REGULATORY AUTHORITIES.
23. ALL CONSTRUCTION WORK IS TO ADHERE TO APPLICANT'S INTEGRATED CONSTRUCTION STANDARDS UNLESS STATE OR LOCAL CODE IS MORE STRINGENT.
24. THE INTENT OF THE PLANS AND SPECIFICATIONS IS TO PERFORM THE CONSTRUCTION IN ACCORDANCE PER STATE BUILDING STANDARDS CODE AND STATE CODE OF REGULATIONS. SHOULD ANY CONDITIONS DEVELOP NOT COVERED BY THE APPROVED PLANS AND SPECIFICATIONS WHEREIN THE FINISHED WORK WILL NOT COMPLY PER STATE CODE OF REGULATIONS, A SCOPE OF WORK DETAILING AND SPECIFYING THE REQUIRED WORK SHALL BE SUBMITTED TO AND APPROVED BY THE JURISDICTION BEFORE PROCEEDING WITH THE WORK. A CHANGE ORDER FOR THAT SCOPE SHALL BE SUBMITTED TO THE MOBILITIE CM PRIOR TO PROCEEDING WITH THE WORK.
25. ADEQUATE AND REQUIRED LIABILITY INSURANCE SHALL BE PROVIDED BY THE CONTRACTOR FOR PROTECTION AGAINST PUBLIC LOSS AND ANY/ALL PROPERTY DAMAGE FOR THE DURATION OF WORK.
26. CONTRACTOR SHALL GUARANTEE ANY/ALL MATERIALS AND WORK FREE FROM DEFECTS FOR A PERIOD OF NOT LESS THAN ONE YEAR FROM DATE OF ACCEPTANCE. ANY CORRECTIVE WORK SHALL BE COMPLETED AT THE SOLE COST OF THE CONTRACTOR.
27. CONTRACTOR TO TAP IN AT THE POC AND RUN A NEW, SEPARATE CIRCUIT THROUGH CITY CONDUIT TO GO TO THE POLE.

ELECTRICAL NOTES:

1. ELECTRICAL CONTRACTOR SHALL SUPPLY AND INSTALL ANY/ALL ELECTRICAL WORK INDICATED. ANY/ALL CONSTRUCTION SHALL BE IN ACCORDANCE W/DRAWINGS AND ANY/ALL APPLICABLE SPECIFICATIONS. IF ANY PROBLEMS ARE ENCOUNTERED BY COMPLYING WITH THESE REQUIREMENTS, CONTRACTOR SHALL NOTIFY MOBILITIE CM AS SOON AS POSSIBLE, AFTER THE DISCOVERY OF THE PROBLEMS, AND SHALL NOT PROCEED WITH THAT PORTION OF WORK, UNTIL THE MOBILITIE CM HAS DIRECTED THE CORRECTIVE ACTIONS TO BE TAKEN.
2. ELECTRICAL CONTRACTOR SHALL VISIT THE JOB SITE AND FAMILIARIZE THEMSELVES WITH ANY/ALL CONDITIONS AFFECTING ELECTRICAL AND COMMUNICATION INSTALLATION AND MAKE PROVISIONS AS TO THE COST THEREOF. ALL (E) CONDITIONS OF ELECTRICAL EQUIP., ETC., THAT ARE PART OF THE FINAL SYSTEM, SHALL BE VERIFIED BY THE CONTRACTOR, PRIOR TO THE SUBMITTING OF THEIR BID. FAILURE TO COMPLY WITH THIS PARAGRAPH WILL IN NO WAY RELIEVE CONTRACTOR OF PERFORMING ALL WORK NECESSARY FOR A COMPLETE AND WORKING SYSTEM.
3. ALL WORK SHALL BE PERFORMED IN ACCORDANCE WITH THE LATEST EDITION OF THE NEC, ALL CODES AND ORDINANCES OF THE LOCAL JURISDICTION, AND POWER & TELEPHONE COMPANIES HAVING JURISDICTION AND SHALL INCLUDE BUT ARE NOT BE LIMITED TO:
 - A) UL - UNDERWRITERS LABORATORIES
 - B) NEC - NATIONAL ELECTRICAL CODE
 - C) NEMA - NATIONAL ELECTRICAL MANUFACTURERS ASSOC.
 - D) OSHA - OCCUPATIONAL SAFETY AND HEALTH ACT
 - E) SBC - STANDARD BUILDING CODE
 - F) NFPA - NATIONAL FIRE PROTECTION AGENCY
 - G) ANSI - AMERICAN NATIONAL STANDARDS INSTITUTE
 - H) IEEE - INSTITUTE OF ELECTRICAL AND ELECTRONICS ENGINEERS
 - I) ASTM - AMERICAN SOCIETY FOR TESTING MATERIALS
4. REFER TO SITE PLANS AND ELEVATIONS FOR EXACT LOCATIONS OF ALL EQUIPMENT, AND CONFIRM WITH MOBILITIE CM ANY SIZES AND LOCATIONS WHEN NEEDED.
5. (E) SERVICES: CONTRACTOR SHALL NOT INTERRUPT (E) SERVICES WITHOUT WRITTEN PERMISSION OF THE OWNER.
6. CONTRACTOR SHALL CONFIRM WITH LOCAL UTILITY COMPANY ANY/ALL REQUIREMENTS SUCH AS THE: LUG SIZE RESTRICTIONS, CONDUIT ENTRY, SIZE OF TRANSFORMERS, SCHEDULED DOWNTIME FOR THE OWNERS' CONFIRMATION, ETC... ANY/ALL CONFLICTS SHALL BE BROUGHT TO THE ATTENTION OF THE MOBILITIE CM, PRIOR TO BEGINNING ANY WORK.
7. MINIMUM WIRE SIZE SHALL BE #12 AWG, NOT INCLUDING CONTROL WIRING, UNLESS NOTED OTHERWISE. ALL CONDUCTORS SHALL BE COPPER WITH THWN INSULATION, UNLESS OTHERWISE NOTED.
8. OUTLET BOXES SHALL BE PRESSED STEEL IN DRY LOCATIONS, CAST ALLOY WITH THREADED HUBS IN WET/DAMP LOCATIONS AND SPECIAL ENCLOSURES FOR OTHER CLASSIFIED AREAS.
9. IT IS NOT THE INTENT OF THESE PLANS TO SHOW EVERY MINOR DETAIL OF THE CONSTRUCTION. CONTRACTOR IS EXPECTED TO FURNISH AND INSTALL ALL ITEMS FOR A COMPLETE ELECTRICAL SYSTEM AND PROVIDE ALL REQUIREMENTS FOR THE EQUIPMENT TO BE PLACED IN PROPER WORKING ORDER.
10. ELECTRICAL SYSTEM SHALL BE AS COMPLETELY AND EFFECTIVELY GROUNDED, AS REQUIRED BY SPECIFICATIONS, SET FORTH BY APPLICANT.
11. ALL WORK SHALL BE PERFORMED BY A LICENSED ELECTRICAL CONTRACTOR IN A FIRST CLASS, WORKMANLIKE MANNER. THE COMPLETED SYSTEM SHALL BE FULLY FUNCTIONAL AND SHALL BE APPROVED BY THE MOBILITIE CM AND LOCAL JURISDICTION. ANY DEFICIENCIES SHALL BE CORRECTED BY AN ELECTRICAL CONTRACTOR AT THE SOLE COST OF THE CONTRACTOR.
12. ALL WORK SHALL BE COORDINATED WITH OTHER TRADES TO AVOID INTERFERENCE WITH THE PROGRESS OF CONSTRUCTION.



PRESCOTT COMMUNICATIONS INC.

10640 Sepulveda Blvd, Suite 1, Mission Hills, CA 91345
Phone No.: (818)998-2352 Fax No.: (818)998-9186

PROJECT NO: 9CAB013903

DRAWN BY: DK

CHECKED BY: JM

0	06/12/17	90% CONSTRUCTION
1	09/27/17	REVISED PER PG&E STANDARDS

IT IS A VIOLATION OF THE LAW FOR ANY PERSON, UNLESS THEY ARE ACTING UNDER THE DIRECTION OF A LICENSED PROFESSIONAL ENGINEER, TO ALTER THIS DOCUMENT

9CAB013903
OAKLAND, CA 94607
(E) 26'-3" STEEL LIGHT POLE

SHEET TITLE
GENERAL NOTES

SHEET NUMBER
GN-1

ELECTRICAL NOTES CONT'D

13. THE CORRECTION OF ANY DEFECTS SHALL BE COMPLETED BY THE CONTRACTOR WITHOUT ANY ADDITIONAL CHARGE AND SHALL INCLUDE THE REPLACEMENT OR THE REPAIR OF ANY OTHER PHASE OF THE INSTALLATION, WHICH MAY HAVE BEEN DAMAGED THEREIN.
14. CONTRACTOR SHALL PROVIDE AND INSTALL CONDUIT, CONDUCTORS, PULL WIRES, BOXES, COVER PLATES AND DEVICES FOR ALL OUTLETS AS INDICATED.
15. DITCHING AND BACK FILL: CONTRACTOR SHALL PROVIDE FOR ALL UNDERGROUND INSTALLED CONDUIT AND/OR CABLES INCLUDING EXCAVATION AND BACKFILLING AND COMPACTION. REFER TO NOTES AND REQUIREMENTS 'EXCAVATION, AND BACKFILLING.
16. MATERIALS, PRODUCTS AND EQUIPMENT, INCLUDING ALL COMPONENTS THEREOF, SHALL BE NEW AND SHALL APPEAR ON THE LIST OF U.L. APPROVED ITEMS AND SHALL MEET OR EXCEED THE REQUIREMENTS OF THE NEC, NEMA AND IEC.
17. CONTRACTOR SHALL SUBMIT SHOP DRAWINGS OR MANUFACTURER'S CATALOG INFORMATION OF ANY/ALL EQUIPMENT AND ALL OTHER ELECTRICAL ITEMS FOR APPROVAL BY THE MOBILITIE CM PRIOR TO INSTALLATION.
18. ANY CUTTING OR PATCHING DEEMED NECESSARY FOR ELECTRICAL WORK IS THE ELECTRICAL CONTRACTOR'S RESPONSIBILITY AND SHALL BE INCLUDED IN THE COST FOR WORK AND PERFORMED TO THE SATISFACTION OF THE MOBILITIE CM UPON FINAL ACCEPTANCE.
19. THE ELECTRICAL CONTRACTOR SHALL LABEL ALL PANELS WITH ONLY TYPEWRITTEN DIRECTORIES. ALL ELECTRICAL WIRING SHALL BE THE RESPONSIBILITY OF THE ELECTRICAL CONTRACTOR.
20. DISCONNECT SWITCHES SHALL BE UL-RATED, H.P. RATED HEAVY-DUTY, QUICK-MAKE AND QUICK-BREAK ENCLOSURES, AS REQUIRED BY EXPOSURE TYPE.
21. ALL CONNECTIONS SHALL BE MADE WITH A PROTECTIVE COATING OF AN ANTI-OXIDE COMPOUND KNOWN AS "NO-OXIDE A" BY DEARBORNE CHEMICAL CO. COAT ALL WIRE SURFACES BEFORE CONNECTING. EXPOSED COPPER SURFACES, INCLUDING GROUND BARS, SHALL BE TREATED - NO SUBSTITUTIONS.
22. RACEWAYS: CONDUIT SHALL BE SCHEDULE 80 PVC MEETING OR EXCEEDING NEMA TC2 - 1990. CONTRACTOR SHALL PLUG AND CAP EACH END OF SPARE AND EMPTY CONDUITS AND PROVIDE TWO SEPARATE PULL STRINGS - 200 LBS TEST POLYETHYLENE CORD. ALL CONDUIT BENDS SHALL BE A MINIMUM OF 2 FT. RADIUS. RGS CONDUITS WHEN SPECIFIED, SHALL MEET UL-6 FOR GALVANIZED STEEL. ALL FITTINGS SHALL BE SUITABLE FOR USE WITH THREADED RIGID CONDUIT. COAT ALL THREADS WITH 'BRITZ ZINC' OR 'COLD GALV'.
23. SUPPORT OF ALL ELECTRICAL WORK SHALL BE AS REQUIRED BY NEC.
24. CONDUCTORS: CONTRACTOR SHALL USE 98% CONDUCTIVITY COPPER WITH TYPE THWN INSULATION, UNLESS OTHERWISE NOTED, 600 VOLT, COLOR CODED. USE SOLID CONDUCTORS FOR WIRE UP TO AND INCLUDING NO. 8 AWG. USE STRANDED CONDUCTORS FOR WIRE ABOVE NO. 8 AWG.
25. CONNECTORS FOR POWER CONDUCTORS: CONTRACTOR SHALL USE PRESSURE TYPE INSULATED TWIST-ON CONNECTORS FOR NO. 10 AWG AND SMALLER. USE SOLDERLESS MECHANICAL TERMINAL LUGS FOR NO. 8 AWG AND LARGER.
26. SERVICE: AS SPECIFIED ON THE DRAWINGS. OWNER OR OWNER'S AGENT WILL APPLY FOR POWER. ALL PROVISIONS FOR TEMPORARY POWER WILL BE OBTAINED BY THE CONTRACTOR.
27. TELEPHONE OR FIBER SERVICE: CONTRACTOR SHALL PROVIDE EMPTY CONDUITS WITH PULL STRINGS AS INDICATED ON DRAWINGS.
28. ELECTRICAL AND TELCO/FIBER RACEWAYS TO BE BURIED A MINIMUM DEPTH OF 30", UNLESS OTHERWISE NOTED.
29. CONTRACTOR SHALL PLACE 6" WIDE DETECTABLE WARNING TAPE AT A DEPTH OF 6" BELOW GROUND AND DIRECTLY ABOVE ELECTRICAL AND TELCO SERVICE CONDUITS. CAUTIONS TAPE TO READ "CAUTION BURIED ELECTRIC" OR "BURIED TELECOMM".
30. ALL BOLTS SHALL BE 3-16 STAINLESS STEEL
31. THE ELECTRICAL CONTRACTOR SHALL LABEL ALL PANELS WITH ONLY TYPEWRITTEN

DIRECTORIES. ALL ELECTRICAL WIRING SHALL BE THE RESPONSIBILITY OF THE ELECTRICAL CONTRACTOR.

GROUNDING NOTES:

1. ALL HARDWARE SHALL BE 3-16 STAINLESS STEEL, INCLUDING LOCK WASHERS. COAT ALL SURFACES WITH AN ANTI-OXIDANT COMPOUND, AS SPECIFIED, BEFORE MATING. ALL HARDWARE SHALL BE STAINLESS STEEL 3/8 INCH DIAMETER OR LARGER.
2. FOR GROUND BOND TO STEEL ONLY: INSERT A CADMIUM FLAT WASHER BETWEEN LUG AND STEEL, COAT ALL SURFACES WITH AN ANTI-OXIDANT COMPOUND BEFORE MATING.
3. ALL STEEL CONDUIT SHALL BE BONDED AT BOTH ENDS WITH GROUNDING BUSHING.
4. ALL ELECTRICAL AND GROUNDING AT THE POLE SITE SHALL COMPLY WITH THE NATIONAL ELECTRICAL CODE (NEC), NATIONAL FIRE PROTECTION ASSOCIATION (NFPA) 780 (LATEST EDITION), AND MANUFACTURER.
5. ALL DETAILS ARE SHOWN IN GENERAL TERMS. ACTUAL GROUNDING INSTALLATION AND CONSTRUCTION MAY VARY DUE TO SITE SPECIFIC CONDITIONS.
6. GROUND ALL ANTENNA BASES, FRAMES, CABLE RUNS, AND OTHER METALLIC COMPONENTS USING #6 GROUND WIRES. FOLLOW ANTENNA AND BTS MANUFACTURER'S PRACTICES FOR GROUNDING REQUIREMENTS.
7. ALL GROUND CONNECTIONS SHALL BE #6 AWG, UNLESS OTHERWISE NOTED. ALL WIRES SHALL BE COPPER WITH THHN, UNLESS OTHERWISE NOTED. ALL GROUND WIRE SHALL BE SOLID TIN COATED OR STRANDED GREEN INSULATED WIRE.
8. CONTRACTOR TO VERIFY AND TEST GROUND TO SOURCE, 10 OHMS MAXIMUM. PROVIDE SUPPLEMENT GROUNDING RODS AS REQUIRED TO ACHIEVE SPECIFIED OHMS READING. GROUNDING AND OTHER OPTIONAL TESTING WILL BE WITNESSED BY THE MOBILITIE CM.
9. NOTIFY ARCHITECT/ENGINEER IF THERE ARE ANY DIFFICULTIES INSTALLING GROUNDING SYSTEM DUE TO SITE SOIL CONDITIONS.
10. ALL HORIZONTALLY RUN GROUNDING CONDUCTORS SHALL BE INSTALLED A MINIMUM OF 30" BELOW GRADE/ 6" BELOW FROST-LINE IN TRENCH, UNLESS OTHERWISE NOTED. BACK FILL SHALL BE COMPACTED AS REQUIRED BY ARCHITECT/ENGINEER.
11. ALL GROUND CONDUCTORS SHALL BE RUN AS STRAIGHT AND SHORT AS POSSIBLE, WITH A MINIMUM 12" BENDING RADIUS NOT LESS THAN 90 DEGREES.
12. ACCEPTABLE CONNECTIONS FOR GROUNDING SYSTEM SHALL BE:
 - A. BURNDY, HY-GRADE U.L. LISTED CONNECTORS FOR OUTDOOR USE OR AS APPROVED BY APPLICANT PROJECT MANAGER.
 - B. CADWELD, EXOTHERMIC WELDS (WELDED CONNECTIONS).
 - C. ONE (1) HOLE TINNED COPPER COMPRESSION (LONG BARREL) FITTINGS.
13. ALL CRIMPED CONNECTIONS SHALL HAVE EMBOSSED MANUFACTURER'S DIEMARK VISIBLE AT THE CRIMP (RESULTING FROM USE OF PROPER CRIMPING DEVICES) AND WEATHER-PROOFED WITH HEAT SHRINK.
14. ALL CONNECTION HARDWARE SHALL BE TYPE 3-16 STAINLESS STEEL (NOT ATTRACTED TO MAGNETS).
15. ELECTRICAL SERVICE EQUIPMENT GROUNDING SHALL COMPLY WITH NEC, ARTICLE 250-82 AND SHALL BOND ALL (E) AND NEW GROUNDING ELECTRODES. NEW GROUNDING ELECTRODE SHALL INCLUDE BUT NOT LIMITED TO GROUND RODS.

TESTING AND EQUIPMENT TURN UP REQUIREMENTS:

1. RF CABLE, DATA CABLE, RADIO EQUIPMENT AND BACK HAUL EQUIPMENT TESTING WILL COMPLY WITH CURRENT INDUSTRY STANDARDS AND OR THOSE STANDARDS OF THE EQUIPMENT MANUFACTURER OR PROVIDED TO THE CONTRACTOR PRIOR TO TESTING.
2. CONTRACTOR WILL USE THE APPROPRIATE CALIBRATED TESTING EQUIPMENT IN THE TESTING OF RF CABLE, DATA CABLE, RADIO EQUIPMENT AND BACK HAUL EQUIPMENT THAT MEET INDUSTRY STANDARDS OF THE MANUFACTURER OR THOSE STANDARDS PROVIDED TO THE CONTRACTOR PRIOR TO TESTING.
3. CONTRACTOR TO VERIFY AND RECORD ALL TEST RESULTS AND PROVIDE THESE RESULTS WITHIN THE FINAL CLOSE OUT PACKAGE.
4. ALL PERSONNEL INVOLVED IN THE TESTING OF RF CABLE, DATA CABLE, RADIO EQUIPMENT AND BACK HAUL EQUIPMENT WILL BE REQUIRED TO HAVE BEEN TRAINED AND OR CERTIFIED IN THE PROPER TESTING OF RF CABLE, DATA CABLE, RADIO EQUIPMENT AND BACK HAUL EQUIPMENT.
5. ALL TEST RESULTS SHALL BE TIME STAMPED, RECORDED AND PRESENTED PRIOR TO ENERGIZING AND TURN UP OF ANY EQUIPMENT.
6. GPS EQUIPMENT IS NOT TO BE TESTED OR ATTACHED TO ANY CABLING DURING TESTING, DOING SO WILL DAMAGE THE GPS UNIT.
7. PRIOR TO TESTING IF THE CONTRACTOR HAS ANY QUESTIONS ABOUT THE TESTING PROCEDURES THEY ARE TO CALL AND OBTAIN ASSISTANCE FROM A QUALIFIED DESIGNATED TESTING REPRESENTATIVE.
8. EQUIPMENT IS NOT TO BE ENERGIZED UNTIL ALL TESTING HAS BEEN COMPLETED, APPROVED AND THE APPROPRIATE AUTHORITY HAS BEEN NOTIFIED AND GIVES APPROVAL TO ENERGIZE THE EQUIPMENT.

SITE WORK NOTES:

1. DO NOT EXCAVATE OR DISTURB BEYOND THE PROPERTY LINES OR LEASE LINES, UNLESS OTHERWISE NOTED.
2. SIZE, LOCATION AND TYPE OF ANY UNDERGROUND UTILITIES OR IMPROVEMENTS SHALL BE ACCURATELY NOTED AND PLACED ON AS-BUILT DRAWINGS BY GENERAL CONTRACTOR AND ISSUED TO ARCHITECT/ENGINEER AT COMPLETION OF PROJECT.
3. ALL (E) UTILITIES, FACILITIES, CONDITIONS AND THEIR DIMENSIONS SHOWN ON PLANS HAVE BEEN PLOTTED FROM AVAILABLE RECORDS. THE ENGINEER AND OWNER ASSUME NO RESPONSIBILITY WHATSOEVER AS TO THE SUFFICIENCY OR ACCURACY OF THE INFORMATION SHOWN ON THE PLANS OR THE MANNER OF THEIR REMOVAL OR ADJUSTMENT. CONTRACTOR SHALL BE RESPONSIBLE FOR DETERMINING EXACT LOCATION OF ALL (E) UTILITIES AND FACILITIES PRIOR TO START OF CONSTRUCTION. CONTRACTOR SHALL ALSO OBTAIN FROM EACH UTILITY COMPANY DETAILED INFORMATION RELATIVE TO WORKING SCHEDULES AND METHODS OF REMOVING OR ADJUSTING (E) UTILITIES.
4. CONTRACTOR SHALL VERIFY ALL (E) UTILITIES BOTH HORIZONTALLY AND VERTICALLY PRIOR TO START OF CONSTRUCTION. ANY DISCREPANCIES OR DOUBTS AS TO THE INTERPRETATION OF PLANS SHALL BE IMMEDIATELY REPORTED TO THE ARCHITECT/ENGINEER OR MOBILITIE CM FOR RESOLUTION AND INSTRUCTION, AND NO FURTHER WORK SHALL BE PERFORMED UNTIL THE DISCREPANCY IS CHECKED AND CORRECTED BY THE ARCHITECT/ENGINEER. FAILURE TO SECURE SUCH INSTRUCTION MEANS CONTRACTOR WILL HAVE WORKED AT THEIR OWN RISK AND EXPENSE. CONTRACTOR SHALL CALL LOCAL UTILITY LOCATE HOT LINE, SUCH AS 811, FOR UTILITY LOCATIONS A MINIMUM OF 48 HOURS PRIOR TO START OF CONSTRUCTION.
5. ALL NEW AND (E) UTILITY STRUCTURES ON SITE AND IN AREAS TO BE DISTURBED BY CONSTRUCTION SHALL BE ADJUSTED TO FINISH ELEVATIONS PRIOR TO FINAL INSPECTION OF WORK. ANY COST RELATED TO ADJUSTING (E) STRUCTURES SHALL BE BORNE SOLELY BY THE CONTRACTOR.
6. GRADING OF THE SITE WORK AREA IS TO BE SMOOTH AND CONTINUOUS IN SLOPE AND IS TO FEATHER INTO (E) GRADES AT THE GRADING LIMITS.
7. ALL TEMPORARY EXCAVATIONS FOR THE INSTALLATION OF FOUNDATIONS, UTILITIES, ETC., SHALL BE PROPERLY LAID BACK OR BRACED IN ACCORDANCE WITH CORRECT OCCUPATIONAL SAFETY AND HEALTH ADMINISTRATION (OSHA) REQUIREMENTS.



PRESCOTT COMMUNICATIONS INC.
10640 Sepulveda Blvd, Suite 1, Mission Hills, CA 91345
Phone No.: (818)898-2352 Fax No.: (818)898-9186

PROJECT NO: 9CAB013903

DRAWN BY: DK

CHECKED BY: JM

0	06/12/17	90% CONSTRUCTION
1	09/27/17	REVISED PER PG&E STANDARDS

IT IS A VIOLATION OF THE LAW FOR ANY PERSON, UNLESS THEY ARE ACTING UNDER THE DIRECTION OF A LICENSED PROFESSIONAL ENGINEER, TO ALTER THIS DOCUMENT

9CAB013903
OAKLAND, CA 94607
(E) 26'-3" STEEL LIGHT POLE

SHEET TITLE
GENERAL NOTES

SHEET NUMBER
GN-2

SITE WORK NOTES CONT'D

8. STRUCTURAL FILLS SUPPORTING PAVEMENTS SHALL BE COMPACTED TO 95% OF MAXIMUM STANDARD PROCTOR DRY DENSITY, UNLESS OTHERWISE NOTED.
9. NEW GRADES NOT IN BUILDING AND DRIVEWAY IMPROVEMENT AREA TO BE ACHIEVED BY FILLING WITH APPROVED CLEAN FILL AND COMPACTED TO 95% OF STANDARD PROCTOR DENSITY.
10. ALL FILL SHALL BE PLACED IN UNIFORM LIFTS. THE LIFTS THICKNESS SHOULD NOT EXCEED THAT WHICH CAN BE PROPERLY COMPACTED THROUGHOUT ITS ENTIRE DEPTH WITH THE EQUIPMENT AVAILABLE.
11. ANY FILLS PLACED ON (E) SLOPES THAT ARE STEEPER THAN 10 HORIZONTAL TO 1 VERTICAL SHALL BE PROPERLY BENCHED INTO THE (E) SLOPE AS DIRECTED BY A GEOTECHNICAL ENGINEER.
12. CONTRACTOR SHALL CLEAN ENTIRE SITE AFTER CONSTRUCTION SUCH THAT NO DEBRIS, PAPER, TRASH, WEEDS, BRUSH, EXCESS FILL, OR ANY OTHER DEPOSITS WILL REMAIN. ALL MATERIALS COLLECTED DURING CLEANING OPERATIONS SHALL BE DISPOSED OF OFF-SITE BY THE GENERAL CONTRACTOR.
13. ALL TREES AND SHRUBS WHICH ARE NOT IN DIRECT CONFLICT WITH THE IMPROVEMENTS SHALL BE PROTECTED BY THE GENERAL CONTRACTOR.
14. ALL SITE WORK SHALL BE CAREFULLY COORDINATED BY GENERAL CONTRACTOR WITH LOCAL UTILITY COMPANY, TELEPHONE COMPANY, AND ANY OTHER UTILITY COMPANIES HAVING JURISDICTION OVER THIS LOCATION.

ENVIRONMENTAL NOTES:

1. ALL WORK PERFORMED SHALL BE DONE IN ACCORDANCE WITH ISSUED PERMITS. THE CONTRACTOR SHALL BE RESPONSIBLE FOR PAYMENT OF FINES AND PROPER CLEAN UP FOR AREAS IN VIOLATION.
2. CONTRACTOR SHALL BE RESPONSIBLE FOR CONSTRUCTION AND MAINTENANCE OF EROSION AND SEDIMENTATION CONTROLS DURING CONSTRUCTION FOR PROTECTION OF ADJACENT PROPERTIES, ROADWAYS AND WATERWAYS. ALL EROSION AND SEDIMENTATION CONTROLS SHALL BE MAINTAINED IN PLACE THROUGH FINAL JURISDICTIONAL INSPECTION & RELEASE OF SITE.
3. CONTRACTOR SHALL INSTALL/CONSTRUCT ALL NECESSARY SEDIMENT/SILT CONTROL FENCING AND PROTECTIVE MEASURES AS REQUIRED BY THE LOCAL JURISDICTION WITHIN THE LIMITS OF SITE DISTURBANCE PRIOR TO CONSTRUCTION.
4. NO SEDIMENT SHALL BE ALLOWED TO EXIT THE PROPERTY. THE CONTRACTOR IS RESPONSIBLE FOR TAKING ADEQUATE MEASURES FOR CONTROLLING EROSION. ADDITIONAL SEDIMENT CONTROL FENCING MAY BE REQUIRED IN ANY AREAS SUBJECT TO EROSION.
5. THE CONTRACTOR IS RESPONSIBLE FOR MAINTAINING POSITIVE DRAINAGE ON THE SITE AT ALL TIMES WITH SILT AND EROSION CONTROL MEASURES MAINTAINED ON THE DOWNSTREAM SIDE OF SITE DRAINAGE. ANY DAMAGE TO ADJACENT PROPERTY AS A RESULT OF EROSION WILL BE CORRECTED AT THE CONTRACTORS EXPENSE.
6. CONTRACTOR SHALL BE RESPONSIBLE FOR DAILY INSPECTIONS AND ANY REPAIRS OF ALL SEDIMENT CONTROL MEASURES INCLUDING SEDIMENT REMOVAL AS NECESSARY.
7. CLEARING OF VEGETATION AND TREE REMOVAL SHALL BE ONLY AS PERMITTED AND BE HELD TO A MINIMUM. ONLY TREES NECESSARY FOR CONSTRUCTION OF THE FACILITIES SHALL BE REMOVED.
8. SEEDING AND MULCHING AND/OR SODDING OF THE SITE WILL BE ACCOMPLISHED AS SOON AS POSSIBLE AFTER COMPLETION OF THE PROJECT FACILITIES AFFECTING LAND DISTURBANCE.
9. CONTRACTOR SHALL PROVIDE ALL EROSION AND SEDIMENTATION CONTROL MEASURES AS REQUIRED BY LOCAL, COUNTY AND STATE CODES AND ORDINANCES TO PROTECT EMBANKMENTS FROM SOIL LOSS AND TO PREVENT ACCUMULATION OF SOIL AND SILT IN STREAMS AND DRAINAGE PATHS LEAVING THE CONSTRUCTION AREA. THIS MAY INCLUDE, BUT IS NOT LIMITED TO SUCH MEASURES AS SILT FENCES, STRAW BALE SEDIMENT BARRIERS, AND CHECK DAMS.
10. RIP RAP OF SIZES INDICATED SHALL CONSIST OF CLEAN, HARD, SOUND, DURABLE, UNIFORM IN QUALITY STONE FREE OF ANY DETRIMENTAL QUANTITY OF SOFT, FRIABLE, THIN, ELONGATED OR LAMINATED PIECES, DISINTEGRATED MATERIAL, ORGANIC MATTER, OIL, ALKALI, OR OTHER DELETERIOUS SUBSTANCES.

11. GC TO PLACE FILTER MATERIAL AT ALL CATCH BASINS ADJACENT TO CONSTRUCTION SITE TO PREVENT SOLID WASTE CONTAMINATION FROM ENTERING SEWER SYSTEM

FOUNDATION, EXCAVATION AND BACKFILL NOTES:

1. ALL FINAL GRADED SLOPES SHALL BE A MAXIMUM OF 3 HORIZONTAL TO 1 VERTICAL, UNLESS OTHERWISE NOTED.
2. BACKFILL OF POLE SHALL BE PERFORMED IN ONE OF THREE OPTIONS:
 - A. PREFERRED: RAINBOW INDUSTRIES POLE SETTING FOAM SHALL BE INSTALLED PER MANUFACTURER SPECS. FOAM SHALL ALWAYS BE USED FOR POOR SOILS.
 - B. SECONDARY: CONCRETE (REQUIRES MOBILITIE CM WRITTEN APPROVAL) ALLOWABLE SOIL PRESSURE = 2000 PSF (ASSUMED). NON-NATIVE SOILS SHALL BE REMOVE FROM BORE AREA AND SHALL NOT BE REUSED FOR BACKFILL
3. ALL EXCAVATIONS PREPARED FOR PLACEMENT OF CONCRETE SHALL BE OF UNDISTURBED SOILS, SUBSTANTIALLY HORIZONTAL AND FREE FROM ANY LOOSE, UNSUITABLE MATERIAL OR FROZEN SOILS, AND WITHOUT THE PRESENCE OF POUNDING WATER. DEWATERING FOR EXCESS GROUND WATER SHALL BE PROVIDED WHEN REQUIRED. COMPACTION OF SOILS UNDER CONCRETE PAD FOUNDATIONS SHALL NOT BE LESS THAN 95% OF THE MODIFIED PROCTOR MAXIMUM DRY DENSITY FOR THE SOIL IN ACCORDANCE WITH ASTM D1557.
4. CONCRETE FOUNDATIONS SHALL NOT BE PLACED ON ORGANIC OR UNSUITABLE MATERIAL. IF ADEQUATE BEARING CAPACITY IS NOT ACHIEVED AT THE DESIGNED EXCAVATION DEPTH, THE UNSATISFACTORY SOIL SHALL BE EXCAVATED TO ITS FULL DEPTH AND EITHER BE REPLACED WITH MECHANICALLY COMPACTED GRANULAR MATERIAL OR THE EXCAVATION SHALL BE FILLED WITH CONCRETE OF THE SAME TYPE SPECIFIED FOR THE FOUNDATION. CRUSHED STONE MAY BE USED TO STABILIZE THE BOTTOM OF THE EXCAVATION. ANY STONE SUB BASE MATERIAL, IF USED, SHALL NOT SUBSTITUTE FOR REQUIRED THICKNESS OF CONCRETE.
5. ALL EXCAVATIONS SHALL BE CLEAN OF UNSUITABLE MATERIAL SUCH AS VEGETATION, TRASH, DEBRIS, AND SO FORTH PRIOR TO BACK FILLING. BACK FILL SHALL CONSIST OF APPROVED MATERIALS SUCH AS EARTH, LOAM, SANDY CLAY, SAND AND GRAVEL, OR SOFT SHALE, FREE FROM CLOUDS OR LARGE STONES OVER 2 1/2" MAX DIMENSIONS. ALL BACK FILL SHALL BE PLACED IN COMPACTED LAYERS.
6. ALL FILL MATERIALS AND FOUNDATION BACK FILL SHALL BE PLACED IN MAXIMUM 6" THICK LIFTS BEFORE COMPACTION. EACH LIFT SHALL BE WETTED IF REQUIRED AND COMPACTED TO NOT LESS THAN 95% OF THE MODIFIED PROCTOR MAXIMUM DRY DENSITY FOR SOIL IN ACCORDANCE WITH ASTM D1557.
7. NEWLY PLACED CONCRETE FOUNDATIONS SHALL CURE A MINIMUM OF 72 HRS PRIOR TO BACK FILLING.
8. FINISHED GRADING SHALL BE SLOPED TO PROVIDE POSITIVE DRAINAGE AND PREVENT STANDING WATER. THE FINAL (FINISH) ELEVATION OF SLAB FOUNDATIONS SHALL SLOPE AWAY IN ALL DIRECTIONS FROM THE CENTER. FINISH GRADE OF CONCRETE PADS SHALL BE A MAXIMUM OF 4 INCHES ABOVE FINAL FINISH GRADE ELEVATIONS. PROVIDE SURFACE FILL GRAVEL TO ESTABLISH SPECIFIED ELEVATIONS WHERE REQUIRED.
9. NEWLY GRADED GRAVEL SURFACE AREAS TO RECEIVE GRAVEL SHALL BE COVERED WITH GEOTEXTILE FABRIC TYPE: TYPAR-3401 AS MANUFACTURED BY TYPAR GEOSYNTHETICS OR AN APPROVED EQUIVALENT, SHOWN ON PLANS. THE GEOTEXTILE FABRIC SHALL BE BLACK IN COLOR TO CONTROL THE RECURRENCE OF VEGETATIVE GROWTH AND EXTEND TO WITHIN 1 FOOT OUTSIDE THE SITE FENCING OR ELECTRICAL GROUNDING SYSTEM PERIMETER WHICH EVER IS GREATER. ALL FABRIC SHALL BE COVERED WITH A MINIMUM OF 4" DEEP COMPACTED STONE OR GRAVEL AS SPECIFIED. I.E. FDOT TYPE NO. 57 FOR FENCED COMPOUND; FDOT TYPE NO. 67 FOR ACCESS DRIVE AREA, UNLESS OTHERWISE NOTED.
10. IN ALL AREAS TO RECEIVE FILL: REMOVE ALL VEGETATION, TOPSOIL, DEBRIS, WET AND UNSATISFACTORY SOIL MATERIALS, OBSTRUCTIONS, AND DELETERIOUS MATERIALS FROM GROUND SURFACE. PLOW STRIP OR BREAK UP SLOPED SURFACES STEEPER THAN 1 VERTICAL TO 4 HORIZONTAL SUCH THAT FILL MATERIAL WILL BIND WITH (E)/PREPARED SOIL SURFACE.
11. WHEN SUB GRADE OR PREPARED GROUND SURFACE HAS A DENSITY LESS THAN THAT REQUIRED FOR THE FILL MATERIAL, SCARIFY THE GROUND SURFACE TO DEPTH REQUIRED. PULVERIZE, MOISTURE-CONDITION AND/OR AERATE THE SOILS AND RECOMPACT TO THE REQUIRED DENSITY PRIOR TO PLACEMENT OF FILLS.
12. IN AREAS WHICH (E) GRAVEL SURFACING IS REMOVED OR DISTURBED DURING CONSTRUCTION OPERATIONS, REPLACE GRAVEL SURFACING TO MATCH ADJACENT

GRAVEL SURFACING AND RESTORED TO THE SAME THICKNESS AND COMPACTION AS SPECIFIED. ALL RESTORED GRAVEL SURFACING SHALL BE FREE FROM CORRUGATIONS AND WAVES.

13. (E) GRAVEL SURFACING MAY NOT BE REUSED.
14. GRAVEL SUB SURFACE SHALL BE PREPARED TO REQUIRED COMPACTION AND SUB GRADE ELEVATIONS BEFORE GRAVEL SURFACING IS PLACED AND/OR RESTORED. ANY LOOSE OR DISTURBED MATERIALS SHALL BE THOROUGHLY COMPACTED AND ANY DEPRESSIONS IN THE SUB GRADE SHALL BE FILLED AND COMPACTED WITH APPROVED SELECTED MATERIAL. GRAVEL SURFACING MATERIAL SHALL NOT BE USED FOR FILLING DEPRESSIONS IN THE SUB GRADE.
15. PROTECT (E) GRAVEL SURFACING AND SUB GRADE IN AREAS WHERE EQUIPMENT LOADS WILL OPERATE. USE PLANKING 'MATTS' OR OTHER SUITABLE PROTECTION DESIGNED TO SPREAD EQUIPMENT LOADS AS MAY BE NECESSARY. REPAIR ANY DAMAGE TO (E) GRAVEL SURFACING OR SUB GRADE WHERE SUCH DAMAGE IS DUE TO THE CONTRACTORS OPERATIONS.
16. DAMAGE TO (E) STRUCTURES AND/OR UTILITIES RESULTING FROM CONTRACTORS NEGLIGENCE SHALL BE REPAIRED AND/ OR REPLACED TO THE OWNERS SATISFACTION AT NO ADDITIONAL COST TO THE CONTRACT.
17. ALL SUITABLE BORROW MATERIAL FOR BACK FILL OF THE SITE SHALL BE INCLUDED IN THE BID. EXCESS TOPSOIL AND UNSUITABLE MATERIAL SHALL BE DISPOSED OF OFF SITE AT LOCATIONS APPROVED BY GOVERNING AGENCIES AT NO ADDITIONAL COST TO THE CONTRACT.

MISCELLANEOUS MATERIALS

FROM TIME TO TIME IT MAY BE NECESSARY TO MAKE MINOR ADJUSTMENTS TO ACCOMMODATE, LEVEL OR SPACE ANTENNA MOUNTS AND EQUIPMENT. EXAMPLE ADDING A WASHER OR SHIM TO LEVEL OUT A BRACKET OR MOUNT TO MEET SPECIFICATIONS. HAVING TO OFFSET OR SPACE A BRACKET OR MOUNT DUE TO FLANGES AND OR OTHER SMALL PROTRUSIONS ON A POLE TOP ASSEMBLY. ANY MATERIALS, NUTS, BOLTS, SHIMS OR SPACERS USED TO ACCOMMODATE ADJUSTMENTS TO ANTENNA MOUNTS AND EQUIPMENT MUST BE PERMANENTLY AFFIXED, BOLTED TO THE MOUNT, BRACKET OR POLE; AS NEVER TO BECOME A FALL HAZARD. ALL MATERIALS NUTS, BOLTS, SHIMS OR SPACERS USED IN MINOR ADJUSTMENTS, MUST BE EITHER STAINLESS STEEL OR GALVANIZED; HALF WASHERS ARE PROHIBITED. ANY MINOR ADJUSTMENTS TO ACCOMMODATE ANTENNA MOUNTS AND EQUIPMENT SHOULD BE DONE IN A PROFESSIONAL MANOR WITH SAFETY AND AESTHETICS IN MIND. SHOULD YOU HAVE ANY QUESTIONS CONTACT YOUR ASSIGNED CONSTRUCTION PROJECT MANAGER OR ENGINEER FOR GUIDANCE.



PRESCOTT COMMUNICATIONS INC.
10640 Sepulveda Blvd. Suite 1, Mission Hills, CA 91345
Phone No.: (818)998-2352 Fax No.: (818)998-9186

PROJECT NO: 9CAB013903
DRAWN BY: DK
CHECKED BY: JM

0	06/12/17	90% CONSTRUCTION
1	09/27/17	REVISED PER PG&E STANDARDS

IT IS A VIOLATION OF THE LAW FOR ANY PERSON, UNLESS THEY ARE ACTING UNDER THE DIRECTION OF A LICENSED PROFESSIONAL ENGINEER, TO ALTER THIS DOCUMENT

9CAB013903
OAKLAND, CA 94607
(E) 26'-3" STEEL LIGHT POLE

SHEET TITLE
GENERAL NOTES

SHEET NUMBER
GN-3

DURATION NOTES

1. "ROAD WORK AHEAD" and the "BE PREPARED TO STOP" signs may be omitted if all of the following conditions are met:
 - a. Work operations are 60 minutes or less
 - b. Speed limit is 45 MPH or less
 - c. No sight obstructions to vehicles approaching the work area for a distance equal to the buffer space
 - d. Vehicles in the work area have high-intensity, rotating, flashing, oscillating, or strobe lights operating
 - e. Volume and complexity of the roadway has been considered

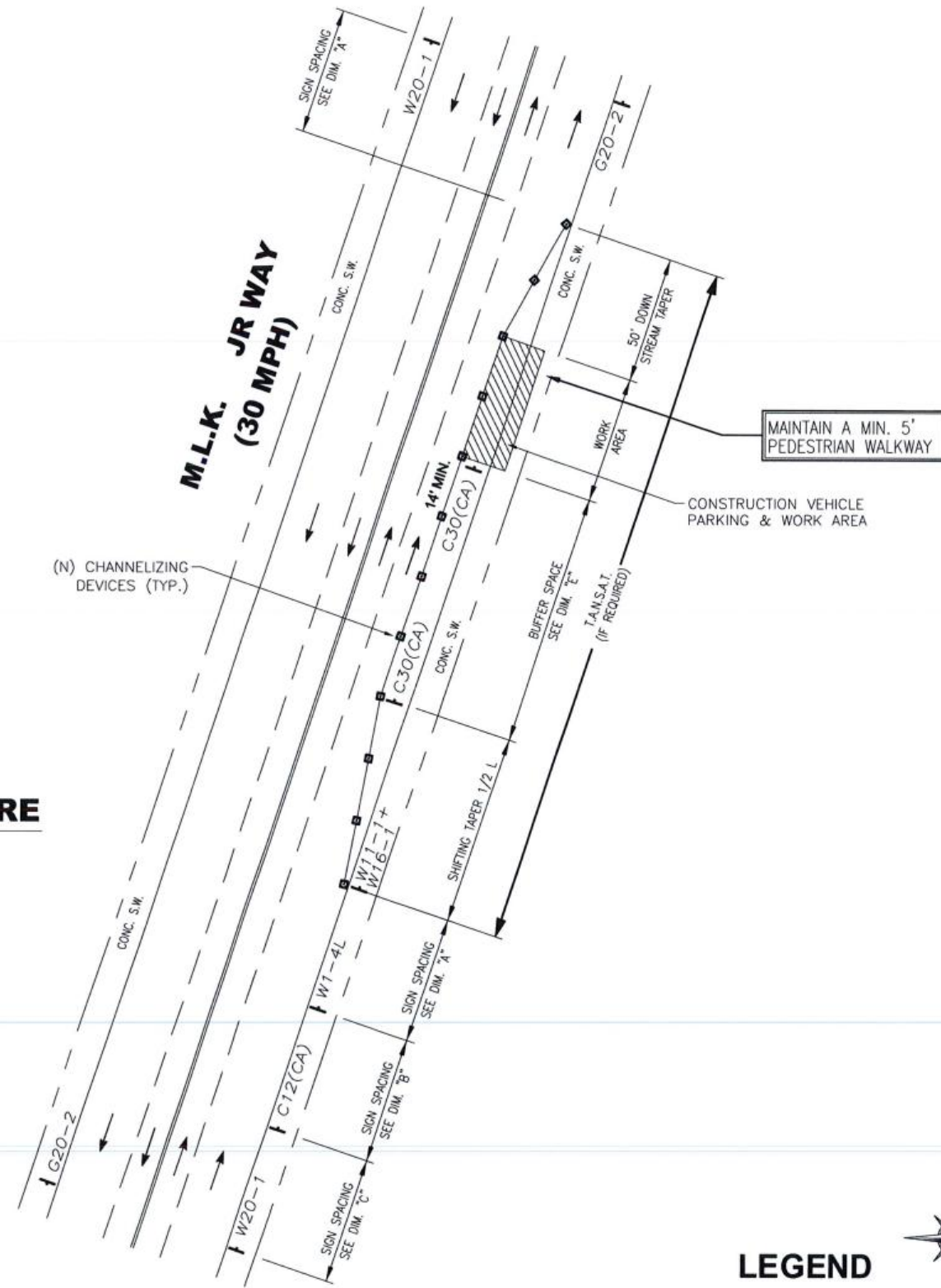
TRAFFIC CONTROL PLANS

GENERAL NOTES

1. ALL WORK AND MATERIALS SHALL COMPLY WITH THE WORK AREA TRAFFIC CONTROL HANDBOOK (WATCH) 2016 EDITION.
2. ALL STRIPING AND MARKINGS SHALL CONFORM TO THE STATE OF CALIFORNIA, STANDARD PLANS AND SPECIFICATIONS, INCLUDING STANDARD PLAN A-20, DETAILS.
3. THE CONTRACTOR SHALL PROVIDE FOR ACCESS TO ALL ADJACENT PROPERTIES.
4. FLASHING YELLOW BEACONS, TYPE "B", SHALL BE USED ON ALL W20-1 SIGNS AND ON ALL TYPE III BARRICADES GUARDING THE WORK AREA OVERNIGHT.
5. ALL SIGNS SHALL BE REFLECTORIZED AND STANDARD SIZE.
6. ALL TUBULAR DELINEATORS AND CONES SHALL BE 28" MINIMUM HEIGHT, REFLECTORIZED AND MAINTAINED ERECT IN THE INDICATED POSITION AT ALL TIMES, AND SHALL BE REPAIRED, REPLACED, OR CLEANED AS NECESSARY TO PRESERVE THEIR APPEARANCE AND CONTINUITY, AND SHALL INCLUDE A 12" HIGH-INTENSITY REFLECTORIZED SLEEVE, IF USED DURING NIGHT-TIME HOURS.
7. THE CONTRACTOR SHALL MAINTAIN, ON A CONTINUOUS BASIS, ALL SIGNS, DELINEATORS, BARRICADES, ETC., TO ENSURE PROPER FLOW AND SAFETY OF TRAFFIC DURING CONSTRUCTION.
8. THE CONTRACTOR SHALL HAVE ALL SIGNS, DELINEATORS, BARRICADES, ETC., PROPERLY INSTALLED PRIOR TO COMMENCING CONSTRUCTION.
9. CONSTRUCTION OPERATIONS SHALL BE CONDUCTED IN SUCH A MANNER AS TO CAUSE AS LITTLE INCONVENIENCE AS POSSIBLE TO ADJUTING PROPERTY OWNERS.
10. ADDITIONAL TRAFFIC CONTROLS, TRAFFIC SIGNS, OR BARRICADING MAY BE REQUIRED IN THE FIELD. THE CONTRACTOR SHALL BE RESPONSIBLE FOR THE PLACEMENT OF ANY ADDITIONAL DEVICES NECESSARY TO ASSURE SAFETY TO THE PUBLIC AT ALL TIMES DURING CONSTRUCTION.
11. EXACT LOCATION AND TYPE OF CONSTRUCTION SIGNS SHALL BE DIRECTED BY THE ENGINEER BASED UPON CONSTRUCTION CONDITIONS.
12. MOVE DELINEATORS AND/OR CONES TO SIDEWALK DURING NON-WORKING HOURS. REMOVE BARRICADES ETC. FROM TRAVEL LANE.
13. REMOVE OR TURN OFF SIGNS DURING NON-WORK HOURS.
14. ALL CONFLICTING LINES, EXISTING CURB PAINT, AND MARKINGS SHALL BE REMOVED BY WET SANDBLASTING OR OTHER APPROVED METHOD PRIOR TO INSTALLATION OF NEW/TEMPORARY STRIPING. ALL CONFLICTING RAISED PAVEMENT MARKERS SHALL BE REMOVED. PAVEMENT THAT IS DAMAGED DUE TO REMOVAL OF MARKERS SHALL BE REPAIRED TO THE SATISFACTION OF THE CITY ENGINEER AND/OR STATE INSPECTOR.

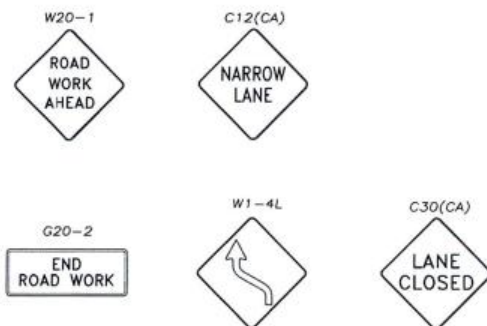
NOTES

1. INGRESS AND EGRESS MUST BE PROVIDED TO ALL DRIVEWAYS AT ANY TIME, USE BULL NOSE TO TERMINATE TAPER AT DRIVEWAYS.
2. STEEL PLATES TO BE USED TO MAINTAIN TRAFFIC FLOW ON ALL DRIVEWAYS.



**PARTIAL RIGHT LANE CLOSURE
2016 WATCH PAGE 35**

SIGNS



* ADDITIONAL SIGNS MAY BE REQUIRED TO ACCOMMODATE ACTUAL FIELD CONDITIONS.

- CHANNELIZING DEVICE
- ↑ SIGN
- ▨ WORK SPACE
- ⌋ FLAGGER
- ➔ DIRECTION OF TRAFFIC

LEGEND

TEMPORARY TRAFFIC CONTROL PLAN DIMENSION GUIDELINES

SPEED MPH (2)	Dimension A/B/C ADVANCE WARNING SIGN SPACING (5)	Dimension L MERGING TAPER LENGTH	Dimension L/2 SHIFTING TAPER LENGTH	Dimension L/3 MINIMUM SHOULDER TAPER	Dimension "E" BUFFER SPACE (4-A) and FLAGGER STATION STOPPING SIGHT DISTANCE (4-B)			MAXIMUM CHANNELIZER TAPER SPACING (3)	MAXIMUM CHANNELIZER TANGENT SPACING (3)	MAXIMUM CHANNELIZER CONFLICT SPACING (3)
					(6%)	(3%)	(4%)			
25	100	125	65	45	(155)	(160)	(165)	25	50	12
30	250	180	90	60	(200)	(205)	(215)	30	60	15
35	250	245	125	85	(250)	(260)	(275)	35	70	17
40	250	320	160	110	(305)	(315)	(335)	40	80	20
45	350	540	270	180	(360)	(380)	(400)	45	90	22
50	350	600	300	200	(425)	(450)	(475)	50	100	25
55	500	660	330	220	(495)	(520)	(555)	50	100	25
60	500	720	360	240	(570)	(600)	(640)	50	100	25
65	500	780	390	260	(645)	(685)	(730)	50	100	25

- (1) Work on Freeways and Expressways shall meet the Caltrans Standard Plans and Standard Specification requirements.
- (2) Posted Speed or observed operating speed (whichever is greater).
- (3) Channelizer spacing shall be reduced by half at areas where work is taking place on curves or areas of head-on conflict.
- (4-A) Buffer space may be inserted in low-speed urban areas and should be inserted in high-speed urban and rural areas.
- (4-B) The Stopping Sight Distance should enable Road Users to see the Primary Flagger Station and safety stop.
- (5) Sign spacing in rural areas should be 500 ft.
- (6) ** Table 6F-101(CA)

TRAFFIC CONTROL PLAN
SCALE: NOT TO SCALE



PRESCOTT COMMUNICATIONS INC.
10640 Sepulveda Blvd. Suite 1, Mission Hills, CA 91345
Phone No.: (818)998-2352 Fax No.: (818)998-9186

PROJECT NO: 9CAB013903
DRAWN BY: DK
CHECKED BY: JM

0	06/12/17	90% CONSTRUCTION
1	09/27/17	REVISED PER PG&E STANDARDS

IT IS A VIOLATION OF THE LAW FOR ANY PERSON, UNLESS THEY ARE ACTING UNDER THE DIRECTION OF A LICENSED PROFESSIONAL ENGINEER, TO ALTER THIS DOCUMENT

9CAB013903
OAKLAND, CA 94607
(E) 26'-3" STEEL LIGHT POLE

SHEET TITLE
TRAFFIC CONTROL PLAN

SHEET NUMBER
TC-1

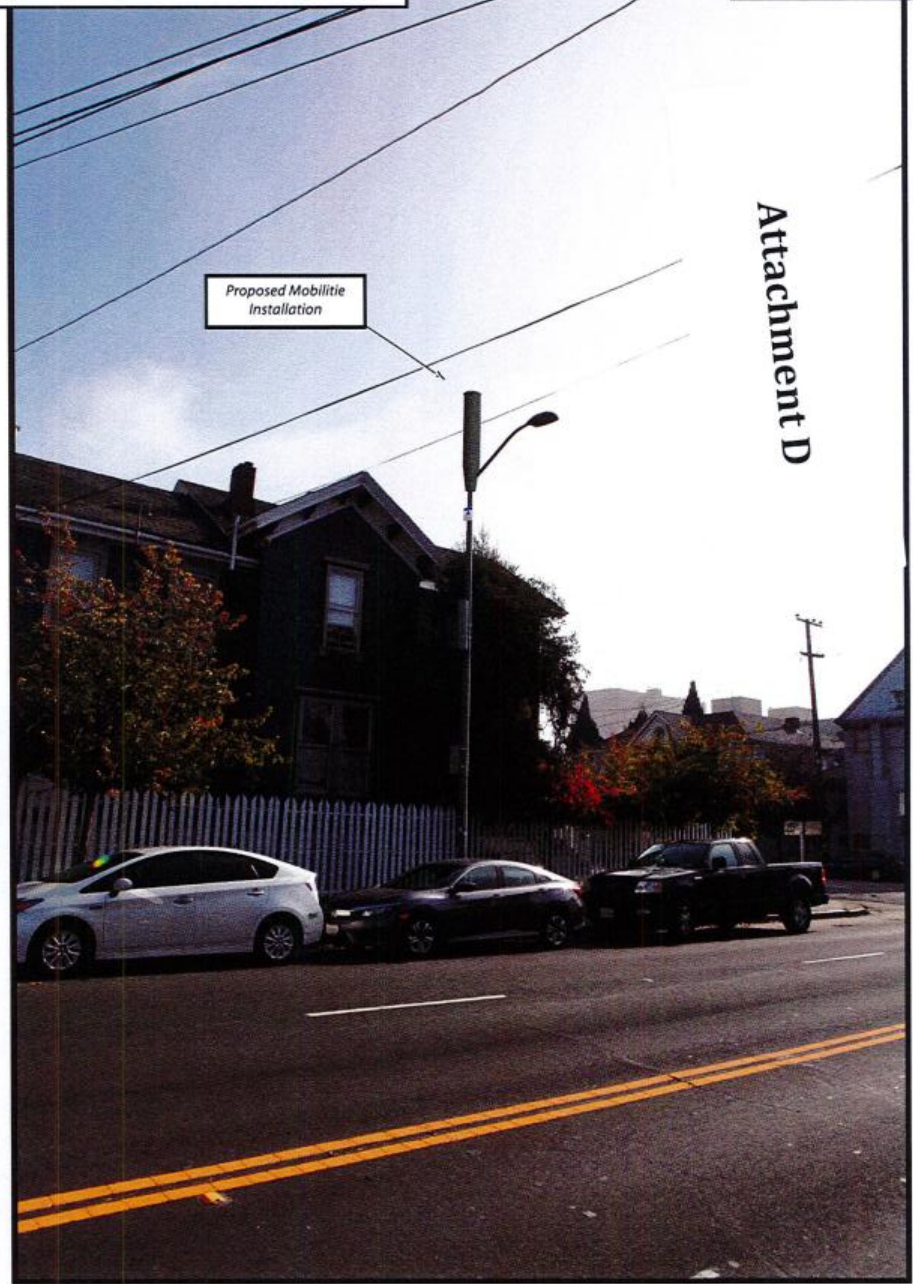
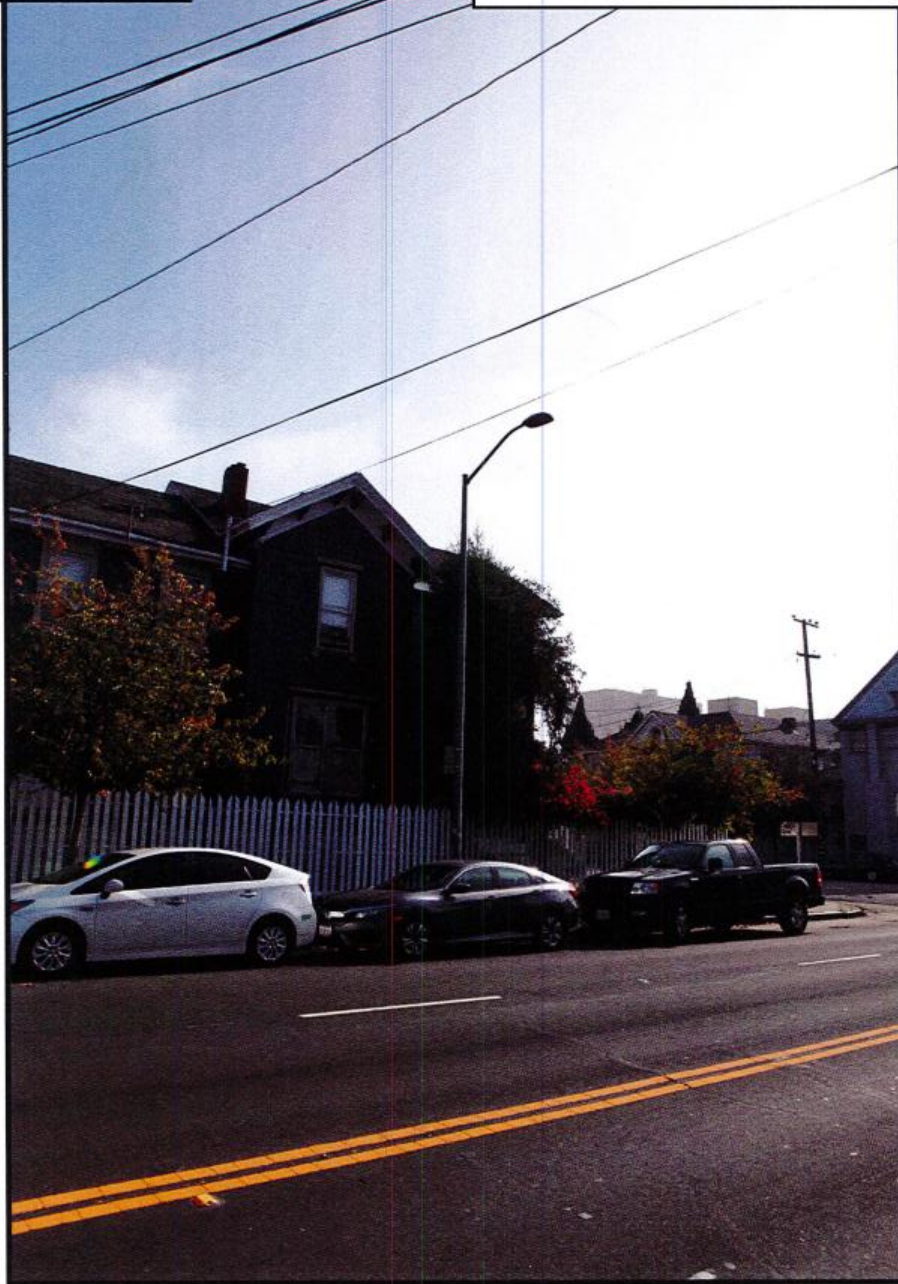
view from MLK Jr Way looking east at site



9CAB013903/SF90XS2W4A
MLK Jr Way & 9th Street, Oakland, CA
Photosims Produced on 6-23-2017

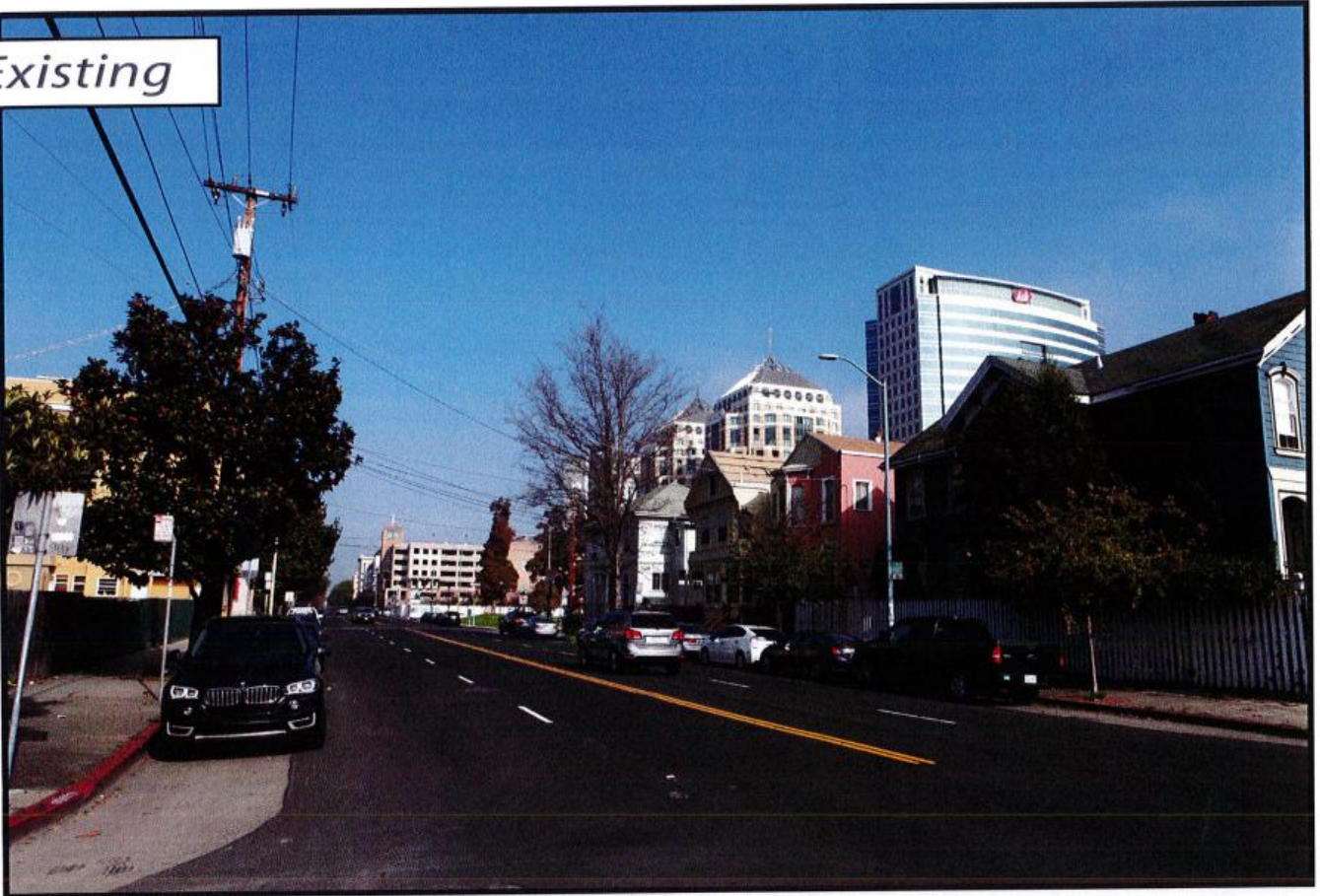
Existing

Proposed

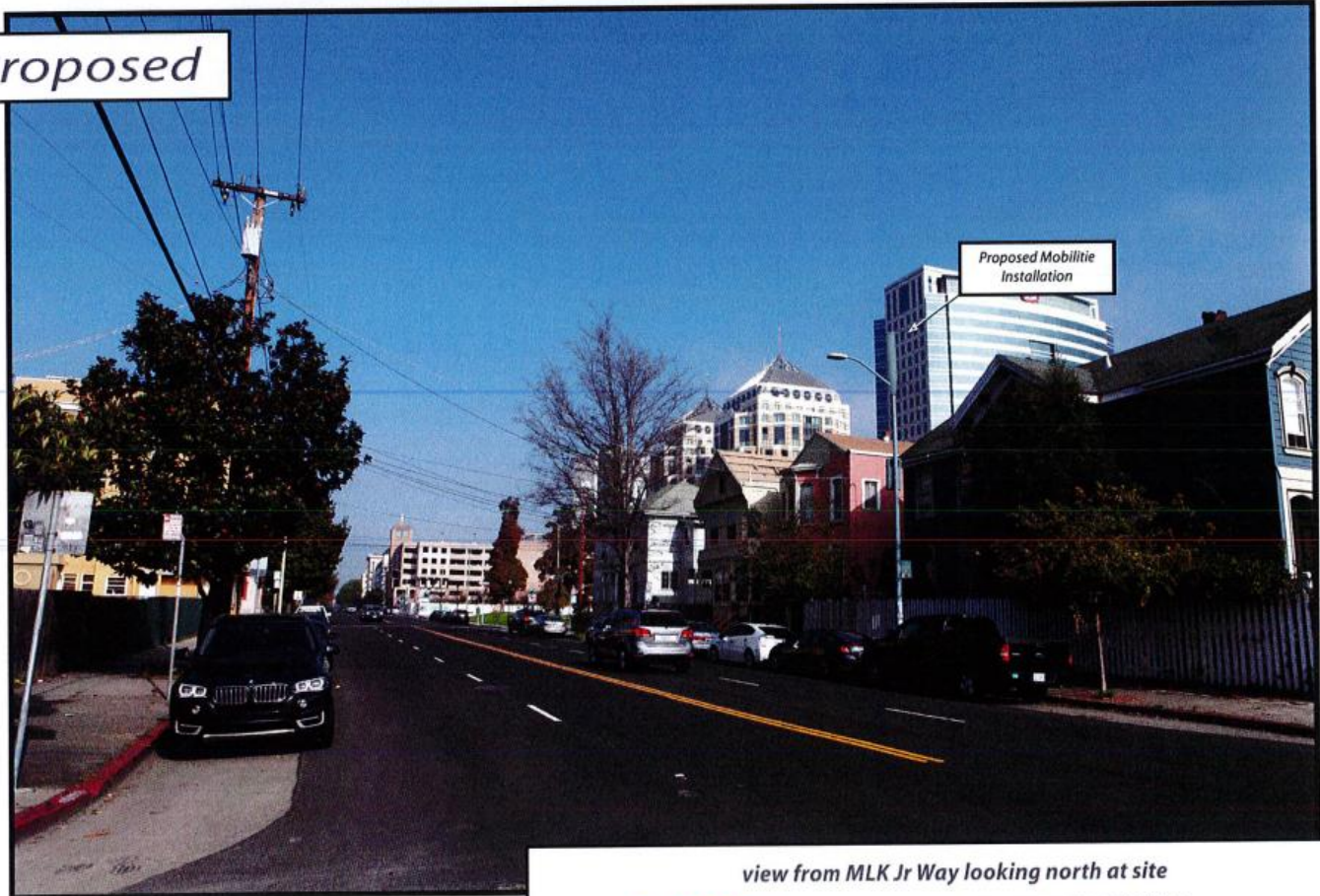


Attachment D

Existing



Proposed



view from MLK Jr Way looking north at site

AdvanceSim
Photo Simulation Solutions
Contact (925) 202-8507

mobillitie
intelligent infrastructure

9CAB013903/SF90XS2W4A
MLK Jr Way & 9th Street, Oakland, CA
Photosims Produced on 6-23-2017

Alternative Site Analysis

Proposed Small Cell Wireless Facility

Applicant: Mobilite, LLC

Site ID: 9CAB013903/SF90XS2W4A

Nearest Site Address: Public Right of Way near 644 9TH St., Oakland, CA 94607

Latitude/Longitude: 37.802918, -122.27792

Mobilite considered alternative sites on other street lights and utility poles in this area, but found them to not be as desirable when taking into consideration coverage goals, constructability, geographic topography of the surrounding area, and potential visual impact in the surrounding area. The proposed location is desirable because of the limited obstructions in the area, allowing our antenna to effectively propagate a signal. Furthermore, the proposed location is the optimal solution for providing maximum coverage to the surrounding area identified. Additionally, by locating on an existing street light with equipment concealed, visual impact in the surrounding area is minimized.

Mobilite is a privately held, CLEC (Competitive Local Exchange Carrier) regulated by the California Public Utilities Commission (CPUC) to provide telephone related services. By proposing this location on an existing street light in the public right of way, Mobilite is proposing an appropriate co-location to existing infrastructure according to our rights under the CPUC.

The alternative locations that Mobilite considered include, but are not limited to, the sites listed below:

Alternate B (37.803048, -122.278026) / At the intersection of 9th Street and Martin Luther King Jr. Way: This wooden utility pole is located approximately 52 ft. northwest of our proposal. The existence of a power riser running up this pole precludes it from being used there because there is not enough usable space on the pole for our facility.

Alternate C (37.802742, -122.278275) / At the intersection of 9th Street and Martin Luther King Jr. Way: This wooden utility pole is located approximately 112 ft. southwest of our proposal. The existence of a power riser running up this pole precludes it from being used there because there is not enough usable space on the pole for our facility.

Attachment E

Radio Frequency- Electromagnetic Energy-EME Measurements & Compliance Report

Site ID: 9CAB013903
Site Name: 9CAB013903
Market/Region: California
Address: MARTIN LUTHER KING JR. WAY, N. OF 9TH ST.
OAKLAND, CA 94607
Latitude: 37.802918
Longitude: -122.27792
Site Type: STEEL LIGHT POLE

Compliance Status:

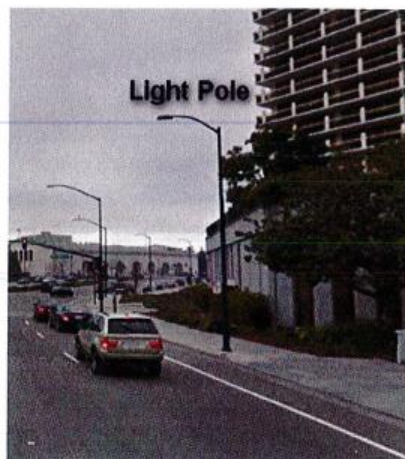
Proposed equipment at the site is compliant with FCC guidelines for General Population environments

Prepared for:

Mobilitie, LLC
2220 University Drive,
Newport Beach, CA 92660

By
ATG LLC

Date:09/06/2017



Attachment F

TABLE OF CONTENT

1	EXECUTIVE SUMMARY.....	3
2	MAXIMUM PERMISSIBLE EXPOSURE (MPE) MODELING RESULTS FOR PROPOSED SITE.....	3
3	ANTENNA INVENTORY	4
4	MODELING SUMMARY AND ASSUMPTIONS	4
4.1	GENERAL MODEL ASSUMPTIONS	4
5	PREPARER CERTIFICATION	5
	APPENDIX A.....	6
	FEDERAL COMMUNICATIONS COMMISSION (FCC) REQUIREMENTS.....	6
	APPENDIX B.....	9
	GLOSSARY OF TERMS.....	9
	APPENDIX C.....	10
	ROOFVIEW EXPORT FILE.....	10

1 Executive Summary

Purpose of Report

ATG LLC's RF Engineering has conducted radio frequency electromagnetic energy (RF-EME) modeling for Mobilitie LLC's site 9CAB013903 located on Martin Luther King Jr. Way between 9th St. and 10th St., Oakland, CA to determine RF-EME exposure levels from the carrier's proposed wireless communications equipment.

The Federal Communications Commission (FCC) has developed Maximum Permissible Exposure (MPE) limits for general public and occupational exposures to RF-EME. This report summarizes the results of RF-EME modeling in relation to relevant FCC compliance standards for limiting human exposure to RF-EME. The details of FCC defined exposure limits are provided in Appendix A of this report.

Analysis results included in this report are based on drawings dated Jun 12th, 2017.

Statement of Compliance

Predictive modeling conducted using the original equipment manufacturers (OEMs) specifications for radio and antenna performance along with the supplied construction drawings dated Jun 12th, 2017, indicate there will be no exposure due to the carrier's proposed equipment on accessible ground-level walking surface at this site that exceeds the FCC's general public exposure limits.

Proposed equipment at the site is compliant with FCC guidelines for general population environments.

2 Maximum Permissible Exposure (MPE) Modeling Results for Proposed Site

The predictive modeling was conducted using the RoofView 5.0 suite of analysis tools. The modeling was conducted with the antennas operating at 100% capacity, all antenna channels transmitting simultaneously and the radio transmitters operating at full power. Obstructions (trees, buildings etc.) that would normally attenuate the signal are not taken into account. As a result, the predicted signal levels are more conservative (higher) than the actual signal levels would be during normal operations. The modeling calculations were made for an area 40' x 40' area with the equipment at the center.

Table 1: Maximum Permissible Exposure- Summary

Location	% of FCC General Public/Uncontrolled Exposure Limit	% of FCC Occupational/Controlled Exposure Limit	Power Density (mW/cm ²)	Compliance Status
6ft above ground level	2.6	0.52	0.026	Compliant

3 Antenna Inventory

The Antenna Inventory shows all transmitting antennas on the site (see Table 2). This inventory was used by ATG to perform the software modeling of RF emissions. The inventory conforms with the submitted construction drawings which identifies the proposed mounting location of each antenna at the site. The exposure level is calculated for a person of height 6ft standing right below the devices at ground level.

Table 2: Antenna Inventory

Antenna ID	Carrier/Operator	Antenna Type	Frequency (MHz)	Technology	ERP (W)	Gain dBd	Mfg.	Model	Aperture (ft.)	Transmitter count	Horizontal BeamWidth (deg)	Z (6 ft. above Ground)
1	Mobilitie	Omni	2496	LTE	172.58	6.35	Alpha Wireless	AW3477-S	2.56	2	360	21.5
2	Mobilitie	LTE Relay BH	2496	LTE	1.93	9.85	Airspan	iR460	1.1	1	35	10.5

The table below details the operating power and Effective Radiated Power (ERP) for each carrier and frequency used in the modeling.

Frequency (MHz)	Power per Transmitter (Watts)	# of Transmitters	ERP (watts)
2496 (Omni)	20	2	172.58
2496 (UE Relay)	0.2	1	1.93

4 Modeling Summary and Assumptions

4.1 General Model Assumptions

The modeling was conducted using the antenna and radio maximum power values, while operating at full power with 100% duty cycle.

The site has been modeled with these assumptions to calculate the maximum RF energy density. ATG believes this to be a worst case analysis, based on data supplied by the OEMs and client. If actual power density measurements were made, ATG believes the real time measurements would indicate levels below those shown in the report.

5 Preparer Certification

I, Preparer, state that:

- I am an employee of ATG LLC that provides RF-EME safety and compliance services to the wireless communications industry.
- I have successfully completed 100s of RF-EME exposure studies and reports for various carriers.
- I am aware of the potential hazards from RF-EME exposures that would be classified "occupational" or "general public" under the FCC regulations.
- I am familiar with the FCC rules and regulations as well as OSHA regulations both in general and as they apply to RF-EME exposure.
- I have reviewed all the data related to the site and incorporated it into this study and Compliance Report such that the information contained in this report is true and accurate to the best of my knowledge.

Ahmed Saadallah

Ahmed Saadallah (RF Engineer)

Appendix A

Federal Communications Commission (FCC) Requirements

This appendix summarizes the policies, guidelines and requirements that were adopted by the FCC on August 1, 1996, amending Part 1 of Title 47 of the Code of Federal Regulations, and further amended by action of the Commission on August 25, 1997 (see 47 CFR Sections 1.1307(b), 1.1310, 2.1091 and 2.1093, as amended). Commission actions granting construction permits, licenses to transmit or renewals thereof, equipment authorizations or modifications in existing facilities, require the preparation of an Environmental Assessment (EA), as described in 47 CFR Section 1.1311, if the particular facility, operation or transmitter would cause human exposure to levels of radiofrequency (RF) electromagnetic fields in excess of these limits.

The potential hazard associated with the RF electromagnetic fields is discussed in OET Bulletin No. 65. This document can be obtained on the FCC website. (https://transition.fcc.gov/Bureaus/Engineering_Technology/Documents/bulletins/oet65/oet65.pdf)

As per FCC guidelines there are two separate tiers of exposure limits that are based upon occupational/controlled exposure limits (for workers) and general public/uncontrolled exposure limits for members of the general public.

Occupational/controlled exposure limits apply to situations in which persons are exposed as a consequence of their employment and in which those persons who are exposed have been made fully aware of the potential for exposure and can exercise control over their exposure. Limits for occupational/controlled exposure also apply in situations when an individual is transient through a location where occupational/controlled limits apply provided he or she is made aware of the potential for exposure and can exercise control over his or her exposure by leaving the area or by some other appropriate means

General public/uncontrolled exposure limits apply to situations in which the general public may be exposed or in which persons who are exposed as a consequence of their employment and not be made fully aware of the potential for exposure or cannot exercise control over their exposure.

The FCC's MPE limits for field strength and power density are given in Table 1 (and in 47 CFR § 1.1310) Figure 1 is a graphical representation of the limits for plane-wave (far-field) equivalent power density versus frequency. The FCC's limits are generally applicable to all facilities, operations and transmitters regulated by the Commission, and compliance is expected with the appropriate guidelines. The power density limits vary by frequency to take into account the different types of equipment that may be in operation at a particular facility and are "time-averaged" limits to reflect different durations resulting from controlled and uncontrolled exposures.

(A) Limits for Occupational/Controlled Exposure

Frequency Range (MHz)	Electric Field Strength (E) (V/m)	Magnetic Field Strength (H) (A/m)	Power Density (S) (mW/cm ²)	Averaging Time E ² , H ² or S (minutes)
0.3-3.0	614	1.63	(100)*	6
3.0-30	1842/f	4.89/f	(900/f ²)*	6
30-300	61.4	0.163	1.0	6
300-1500	--	--	f/300	6
1500-100,000	--	--	5	6

(B) Limits for General Population/Uncontrolled Exposure

Frequency Range (MHz)	Electric Field Strength (E) (V/m)	Magnetic Field Strength (H) (A/m)	Power Density (S) (mW/cm ²)	Averaging Time E ² , H ² or S (minutes)
0.3-1.34	614	1.63	(100)*	30
1.34-30	824/f	2.19/f	(180/f ²)*	30
30-300	27.5	0.073	0.2	30
300-1500	--	--	f/1500	30
1500-100,000	--	--	1.0	30

f = frequency in MHz

*Plane-wave equivalent power density

f = frequency in MHz *Plane-wave equivalent power density

Table 1

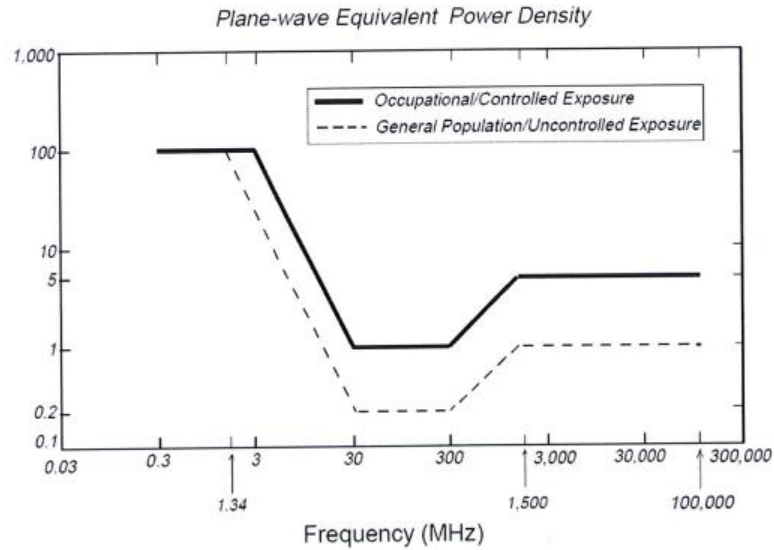


Figure 1. FCC Limits for Maximum Permissible Exposure (MPE)

FCC Compliance Requirement

In general, as specified in 47 C.F.R. 1.1307(b), as amended, when the FCC's guidelines are exceeded in an accessible area due to the emissions from multiple fixed transmitters the following policy applies. Actions necessary to bring the area into compliance with the guidelines are the shared responsibility of all licensees whose transmitter's contribution to the RF environment at the non-complying area exceeds 5% of the exposure limit (that applies to their particular transmitter) in terms of power density or the square of the electric or magnetic field strength.

For non-compliant sites, Occupational Safety and Health Administration (OSHA) set recommendations to make the sites compliant. The document can be found in the link: https://www.osha.gov/dte/library/radiation/nir_stds_20021011/nir_stds_20021011.ppt

Appendix B

Glossary of Terms

1. *Electromagnetic Field (energy density)* – the electromagnetic energy contained in an infinitesimal volume divided by that volume.
2. *Exposure* – Exposure occurs whenever and wherever a person is subjected to electric, magnetic or electromagnetic fields other than those originating from physiological processes in the body and other natural phenomena.
3. *General Population / Uncontrolled Exposure* – applies to human exposure to RF fields when the general public is exposed or in which persons who are exposed as a consequence of their employment may not be made fully aware of the potential for exposure or cannot exercise control over their exposure. Therefore, members of the general public always fall under this category when exposure is not employment-related.
4. *Maximum Permissible Exposure (MPE)* – the rms and peak electric and magnetic field strength, their squares, or the plane-wave equivalent power densities associated with these fields to which a person may be exposed without harmful effect and with an acceptable safety factor.
5. *Occupational / Controlled Exposure* – applies to human exposure to RF fields when persons are exposed as a consequence of their employment and in which those persons who are exposed have been made fully aware of the potential for exposure and can exercise control over their exposure. Occupational/controlled exposure limits also apply where exposure is of a transient nature as a result of incidental passage through a location where exposure levels may be above general population/controlled limits.
6. *Power Density (S)* – Power per unit area normal to the direction of propagation, usually expressed in units of watts per square meter (W/m^2) or, for convenience, units such as milliwatts per square centimeter (mW/cm^2) or microwatts per square centimeter ($\mu W/cm^2$).

Appendix C

RoofView Export File

The below file shows the Antenna information that has been used to calculate the MPE levels using RoofView 5. RoofView is a powerful, Excel based software analysis tool for evaluating radiofrequency (RF) field levels at telecommunications sites that are produced by antennas of the type commonly used in the cellular, paging, SMR, PCS and conventional two-way radio communication services

StartMapDefinition															List Of Ant						
Roof Max	Roof Max	Map Max	Map Max	Y Offset	X Offset	Number of envelope									5K5181-SA						
40	40	200	200	0	0	1 5K5181-SA 5K5181-SA 5K5220									5K5181-SA						
StartSettingsData																					
Standard	Method	Uptime	Scale	Fact	Low Thr	Low Color	Mid Thr	Mid Color	Hi Thr	Hi Color	Over Color	Ap Ht	Multi	Ap Ht	Method						
4		1	4	1	5	1	100	6	1000	3	5	1.5		1							
StartAntennaData																					
It is advisable to provide an ID (ant 1) for all antennas																					
ID	Name	Freq	Power	Trans	Trans	Coax	Coax	Other	Input	Calc	Mfg	Model	(ft)	(ft)	(ft)	(ft)	dBd	BWdth	Uptime	ON	
		(MHz)		Count	Len	Type	Loss	Power	Power				X	Y	Z	Type	Aper	Gain	Pt Dir	Profile	flag
1	Mobilitie	2496						40	40	Alpha	Wirr	AW3477-S	20	20	21.5	VC	2.5	6.35	360		ON
2	Mobilitie	2496						0.2	0.2	Airspan	IR460		20	20	10.5	VC	1.1	9.85	35		ON
StartSymbolData																					
Sym	Map Mark	Roof X	Roof Y	Map Label Description (notes for this table only)																	



PUBLIC NOTICE
CITY OF OAKLAND



Attachment H

Attachment C

SITE ID/CASCADE ID-CANDIDATE LETTER:

9CAB008000/SF90XS986A

LATITUDE/LONGITUDE:

37.792802/-122.270759

CROSS STREET:

EMBARCADERO WEST W. OF OAK ST.

CITY, STATE, ZIP:

OAKLAND, CA 94607

(E) 26'-3" STEEL LIGHT POLE



IF YOU DIG IN ANY STATE
DIAL 811 FOR THE LOCAL
"ONE CALL CENTER" -
IT'S THE LAW

THE UTILITIES SHOWN HEREIN ARE FOR THE CONTRACTORS CONVENIENCE ONLY. THERE MAY BE OTHER UTILITIES NOT SHOWN ON THESE PLANS. THE ENGINEER/SURVEYOR ASSUMES NO RESPONSIBILITY FOR THE LOCATIONS SHOWN AND IT SHALL BE THE CONTRACTOR'S RESPONSIBILITY TO VERIFY ALL THE UTILITIES WITHIN THE LIMITS OF THE WORK. ALL DAMAGE MADE TO THE (E) UTILITIES BY THE CONTRACTOR SHALL BE THE SOLE RESPONSIBILITY OF THE CONTRACTOR.

GENERAL NOTES

THE FACILITY IS UNMANNED AND NOT FOR HUMAN HABITATION. A TECHNICIAN WILL VISIT THE SITE AS REQUIRED FOR ROUTINE MAINTENANCE. THE PROJECT WILL NOT RESULT IN ANY SIGNIFICANT DISTURBANCE OF EFFECT ON DRAINAGE; NO SANITARY SEWER SERVICE, POTABLE WATER OR TRASH DISPOSAL IS REQUIRED AND NO COMMERCIAL SIGNAGE IS (N).

SITE INFORMATION

SITE ID:	9CAB008000
CASCADE ID:	SF90XS986A
LATITUDE:	37.792802
LONGITUDE:	-122.270759
CROSS STREET:	EMBARCADERO WEST W. OF OAK ST.
CITY, STATE, ZIP:	OAKLAND, CA 94607
COUNTY:	ALAMEDA COUNTY
JURISDICTION:	CITY OF OAKLAND
PROPERTY OWNER:	PUBLIC RIGHT-OF-WAY
APPLICANT:	MOBILITIE, LLC 2955 RED HILL AVENUE, STE. 200, COSTA MESA, CA 92626 APPLICANT: JAMES SINGLETON PHONE: 605-814-0584 EMAIL: JSingleton@mobilitie.com

ENGINEER

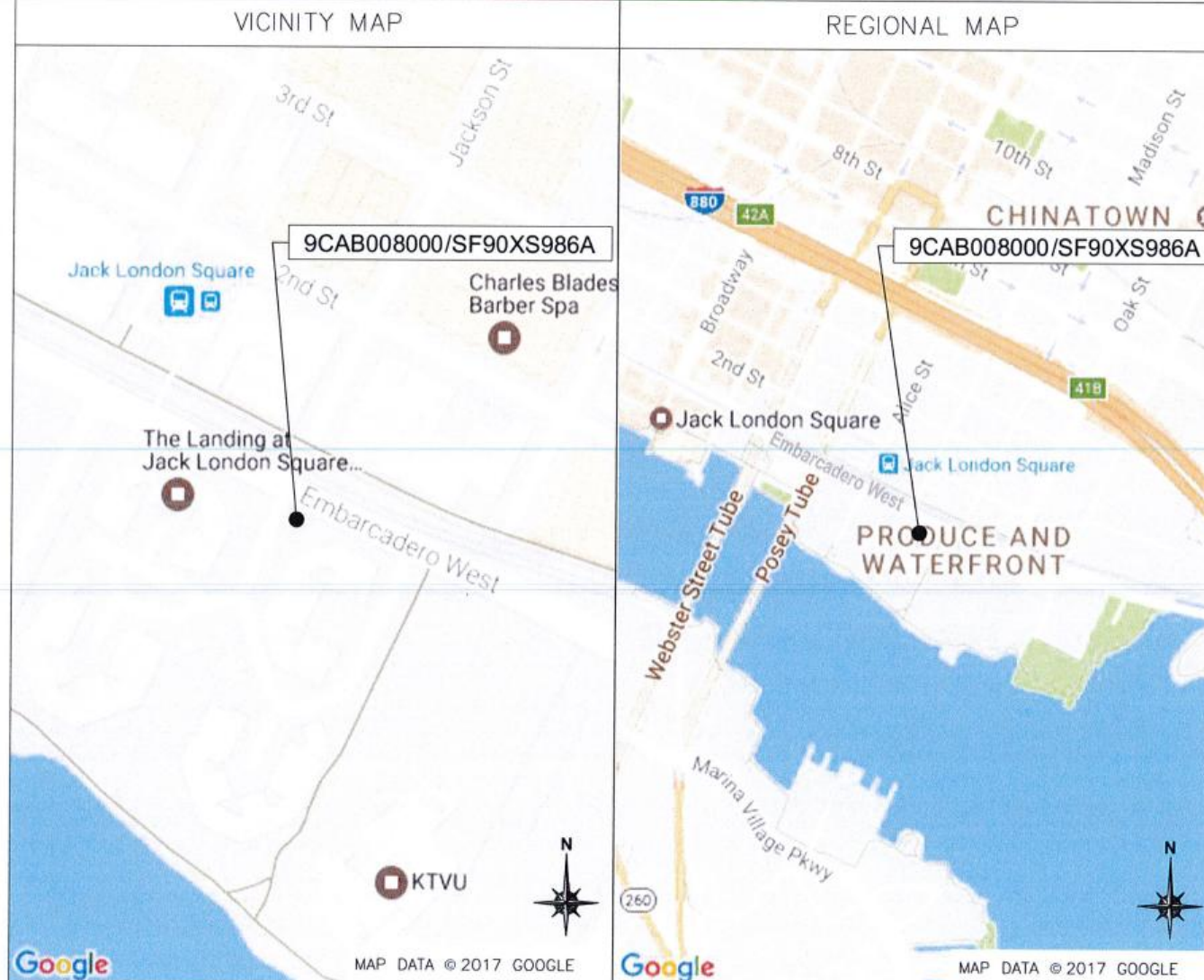
CABLE ENGINEERING SERVICES
10640 SEPULVEDA BLVD. SUITE 1
MISSION HILLS, CA. 91345

JEREMY HARMON
(818) 898-2352

DO NOT SCALE DRAWINGS

CONTRACTORS SHALL VERIFY ALL PLANS, (E) DIMENSIONS & FIELD CONDITIONS ON THE JOB SITE & SHALL IMMEDIATELY NOTIFY THE ARCHITECT/ENGINEER IN WRITING OF ANY DISCREPANCIES BEFORE PROCEEDING WITH THE WORK OR BE RESPONSIBLE FOR SAME.

LOCATION MAPS



PROJECT DESCRIPTION

END USER PROPOSES TO INSTALL EQUIPMENT ON AN EXISTING STEEL POLE WITHIN AN EXISTING RIGHT-OF-WAY. THE SCOPE WILL CONSIST OF THE FOLLOWING:

- INSTALL PROPOSED SMALL SCALE WIRELESS EQUIPMENT ON AN EXISTING STEEL LIGHT POLE

CODES

2015 INTERNATIONAL BUILDING CODE
2017 NATIONAL ELECTRICAL CODE
TIA/EIA-222-G-2 OR LATEST EDITION
LOCAL BUILDING/PLANNING CODE

DRAWING INDEX

SHEET NO:	SHEET TITLE
T-1	TITLE SHEET
SP-1	EXHIBIT PHOTO & SITE PLAN
SP-2	OVERALL SITE PLAN
EV-1	POLE ELEVATIONS
EV-2	POLE ELEVATIONS
PL-1	PLUMBING & RISER DIAGRAM
EQ-1	EQUIPMENT DETAILS
EQ-2	EQUIPMENT DETAILS
E-1	ELECTRICAL DETAILS
G-1	GROUNDING DETAILS
GN-1	GENERAL NOTES
GN-2	GENERAL NOTES
GN-3	GENERAL NOTES
TC-1	TRAFFIC CONTROL PLAN

PROJECT NO: 9CAB008000

DRAWN BY: DK

CHECKED BY: JM

0	06/13/17	90% CONSTRUCTION
1	09/27/17	REVISED PER PG&E STANDARDS

IT IS A VIOLATION OF THE LAW FOR ANY PERSON, UNLESS THEY ARE ACTING UNDER THE DIRECTION OF A LICENSED PROFESSIONAL ENGINEER, TO ALTER THIS DOCUMENT

9CAB008000
OAKLAND, CA 94607
(E) 26'-3" STEEL LIGHT POLE

SHEET TITLE
TITLE SHEET

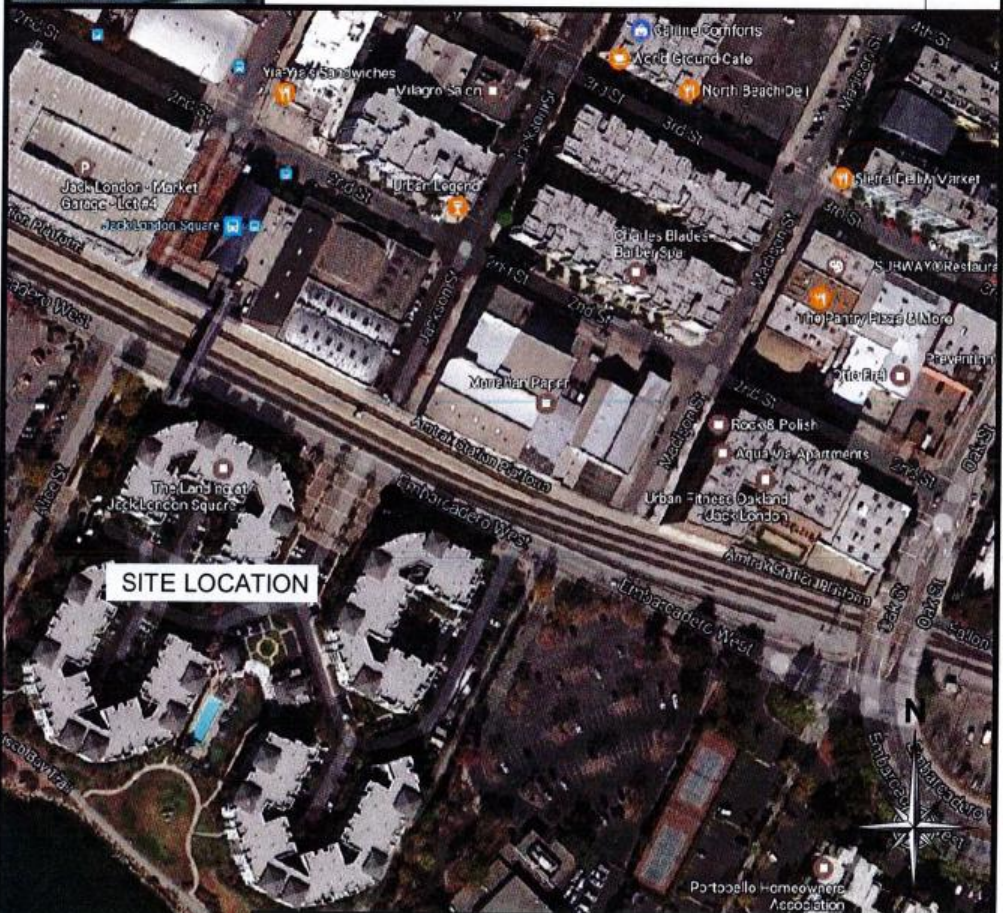
SHEET NUMBER
T-1



EXHIBIT PHOTO

SCALE: NOT TO SCALE

1

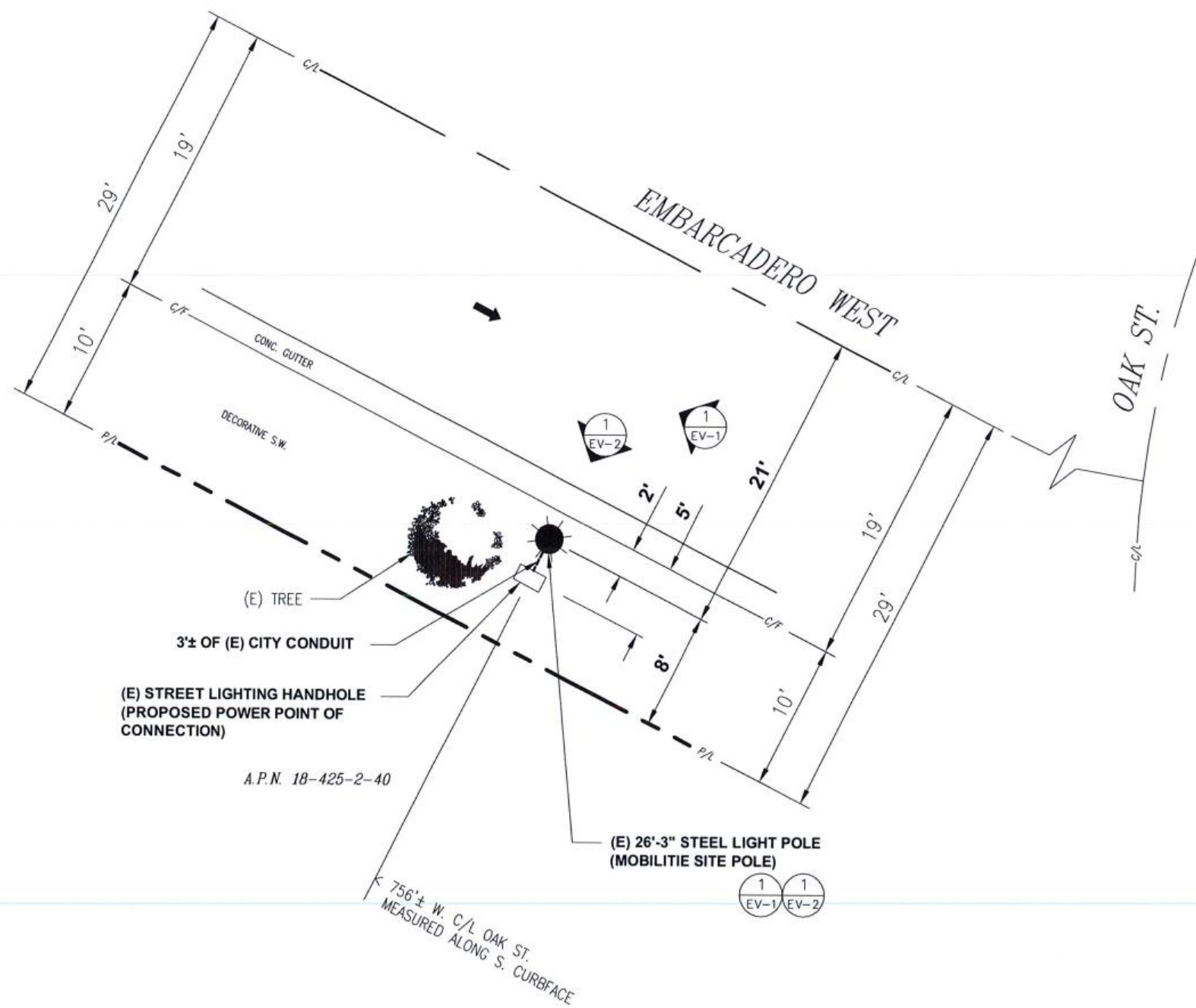


SITE LOCATION

AERIAL SITE LOCATION

SCALE: NOT TO SCALE

2



SYMBOLS			
SYMBOL	DESCRIPTION	SYMBOL	DESCRIPTION
	EDGE OF DIRT		EXISTING OUT
	WHITE LINE		FENCE
	RIGHT OF WAY		WALL
	EDGE OF PAVEMENT		DRIVEWAY
	CENTER LINE		BUSHES
	CURBSIDE		TREE
	PROPERTY LINE		UTILITY POLE
	EXISTING		STREET LIGHT
	NEW		PROPOSED SITE POLE
	CONDUIT CURVE DATA		PARKING METER/STREET SIGN
	SPOT ELEVATION		DETAIL REFERENCE
	FIRE HYDRANT		UTILITY VALVE
	UTILITY MANHOLE		SEWER MANHOLE
	SQUARE VENT		ROUND VENT
	DIG-ALERTS		TRAFFIC FLOW
	ADA CURB RAMP		

CONSTRUCTION NOTE:
CONTRACTOR TO TAP IN AT THE POC AND RUN A NEW, SEPARATE CIRCUIT THROUGH CITY CONDUIT TO GO TO THE POLE.

UNDERGROUND UTILITIES NOTE:
THE LOCATIONS AND EXISTENCE OF ANY UNDERGROUND PIPES, STRUCTURES OR CONDUITS SHOWN ON THIS PLAN WERE OBTAINED BY A SEARCH OF AVAILABLE RECORDS. THERE MAY BE EX. UTILITIES OTHER THAN THOSE SHOWN ON THIS PLAN. THE CONTRACTOR IS REQUIRED TO TAKE PRECAUTIONARY MEASURES TO PROTECT THE UTILITY LINES SHOWN AND ANY OTHER LINES NOT SHOWN ON THIS PLAN.



ENLARGED SITE PLAN

SCALE: 1" = 10'

3



PRESCOTT COMMUNICATIONS INC.
10640 Sepulveda Blvd. Suite 1, Mission Hills, CA 91345
Phone No.: (818)998-2352 Fax No.: (818)998-9186

PROJECT NO:	9CAB008000
DRAWN BY:	DK
CHECKED BY:	JM

0	06/13/17	90% CONSTRUCTION
1	09/27/17	REVISED PER PG&E STANDARDS

IT IS A VIOLATION OF THE LAW FOR ANY PERSON, UNLESS THEY ARE ACTING UNDER THE DIRECTION OF A LICENSED PROFESSIONAL ENGINEER, TO ALTER THIS DOCUMENT

9CAB008000
OAKLAND, CA 94607
(E) 26'-3" STEEL LIGHT POLE

SHEET TITLE
EXHIBIT PHOTO & SITE PLAN

SHEET NUMBER
SP-1

PROJECT NO: 9CAB008000

DRAWN BY: DK

CHECKED BY: JM

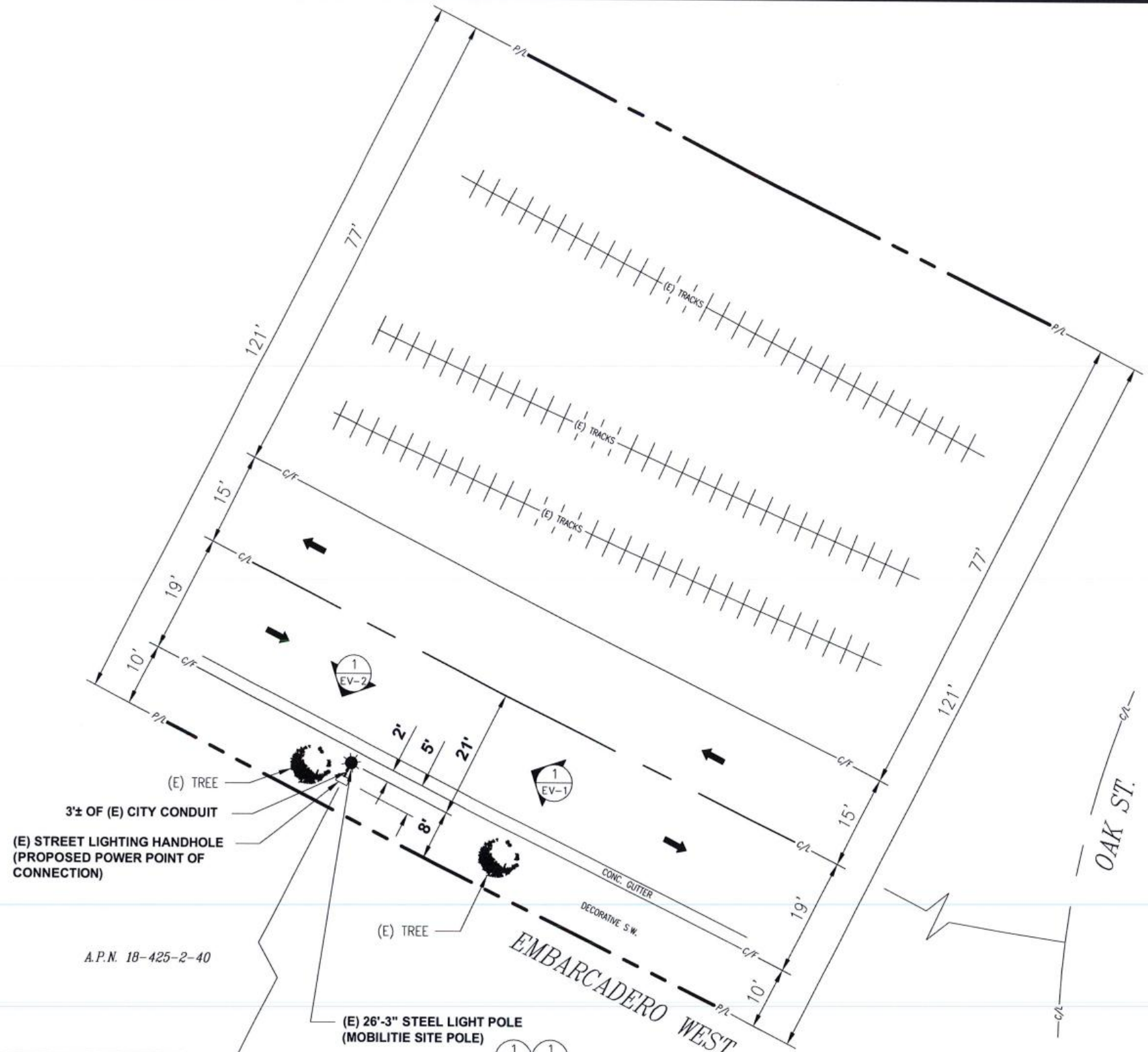
0	06/13/17	90% CONSTRUCTION
1	09/27/17	REVISED PER PG&E STANDARDS

IT IS A VIOLATION OF THE LAW FOR ANY PERSON, UNLESS THEY ARE ACTING UNDER THE DIRECTION OF A LICENSED PROFESSIONAL ENGINEER, TO ALTER THIS DOCUMENT

9CAB008000
OAKLAND, CA 94607
(E) 26'-3" STEEL LIGHT POLE

SHEET TITLE
OVERALL SITE PLAN

SHEET NUMBER
SP-2



(E) TREE
3± OF (E) CITY CONDUIT
(E) STREET LIGHTING HANDHOLE
(PROPOSED POWER POINT OF CONNECTION)

A.P.N. 18-425-2-40

(E) 26'-3" STEEL LIGHT POLE
(MOBILITIE SITE POLE)

756± W. C/L OAK ST.
MEASURED ALONG S. CURBFACE

SYMBOL			
SYMBOL	DESCRIPTION	SYMBOL	DESCRIPTION
EOD	EDGE OF DIRT	---	EXISTING CUT
WL	WHITE LINE	-X-X-X-X-X-	FENCE
ROW	RIGHT OF WAY		WALL
EGP	EDGE OF PAVEMENT		DRIVEWAY
CL	CENTER LINE		BUSHES
CF	CURFBASE		TREE
PL	PROPERTY LINE		UTILITY POLE
(E)	EXISTING	☀	STREET LIGHT
(N)	NEW	☀	PROPOSED SITE POLE
△	CONDUIT CURVE DATA	⊙	PARKING METER/STREET SIGN
⊙	SPOT ELEVATION	X-X	DETAIL REFERENCE
●	FIRE HYDRANT	•	UTILITY VALVE
⊙	UTILITY MANHOLE	⊙	SEWER MANHOLE
⊙	SQUARE VENT	⊙	ROUND VENT
⊙	DIG-ALERTS	→	TRAFFIC FLOW
⊙	ADA CURB RAMP	↻	

CONSTRUCTION NOTE:
CONTRACTOR TO TAP IN AT THE POC AND RUN A NEW, SEPARATE CIRCUIT THROUGH CITY CONDUIT TO GO TO THE POLE.

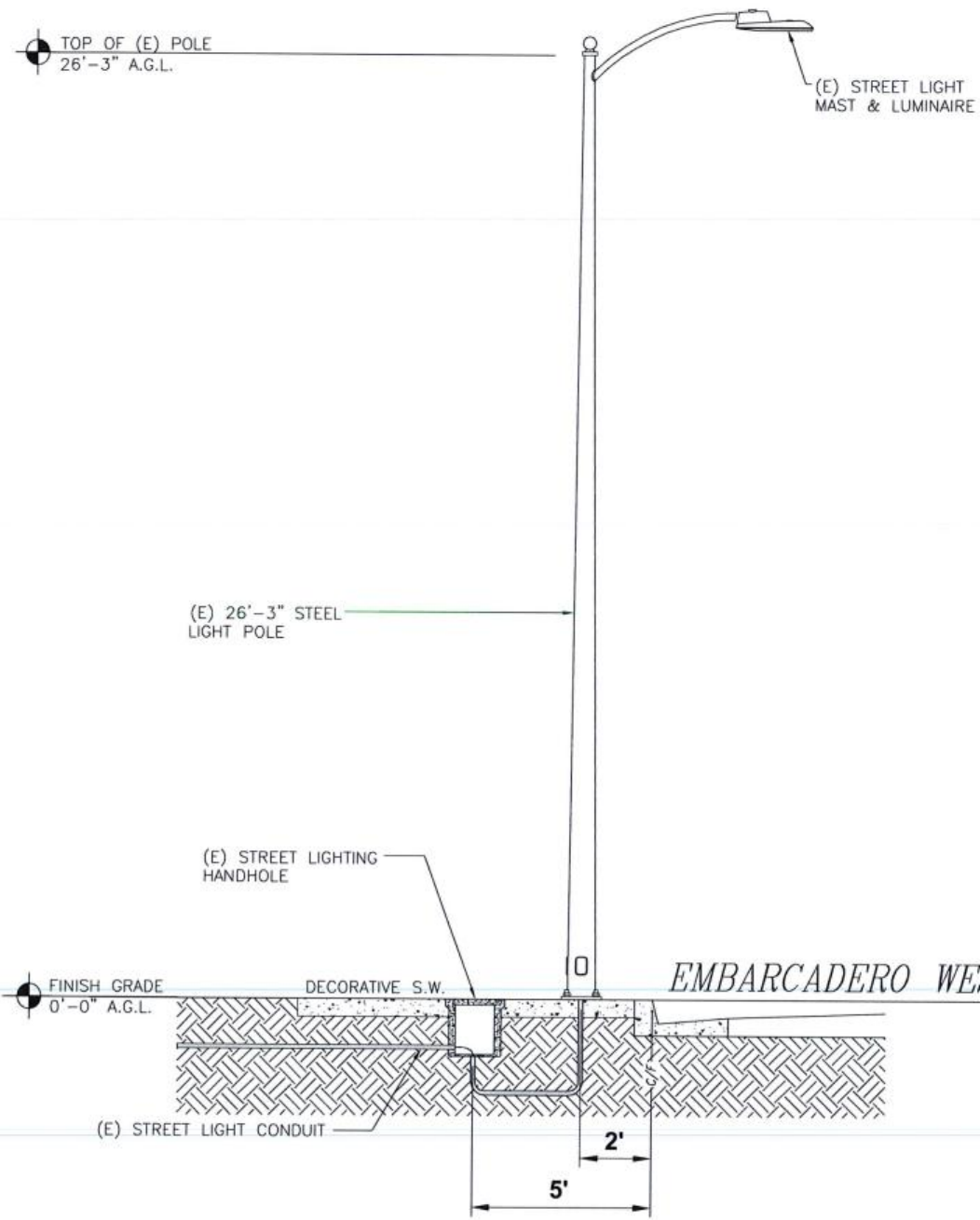
UNDERGROUND UTILITIES NOTE:
THE LOCATIONS AND EXISTENCE OF ANY UNDERGROUND PIPES, STRUCTURES OR CONDUITS SHOWN ON THIS PLAN WERE OBTAINED BY A SEARCH OF AVAILABLE RECORDS. THERE MAY BE EX. UTILITIES OTHER THAN THOSE SHOWN ON THIS PLAN. THE CONTRACTOR IS REQUIRED TO TAKE PRECAUTIONARY MEASURES TO PROTECT THE UTILITY LINES SHOWN AND ANY OTHER LINES NOT SHOWN ON THIS PLAN.



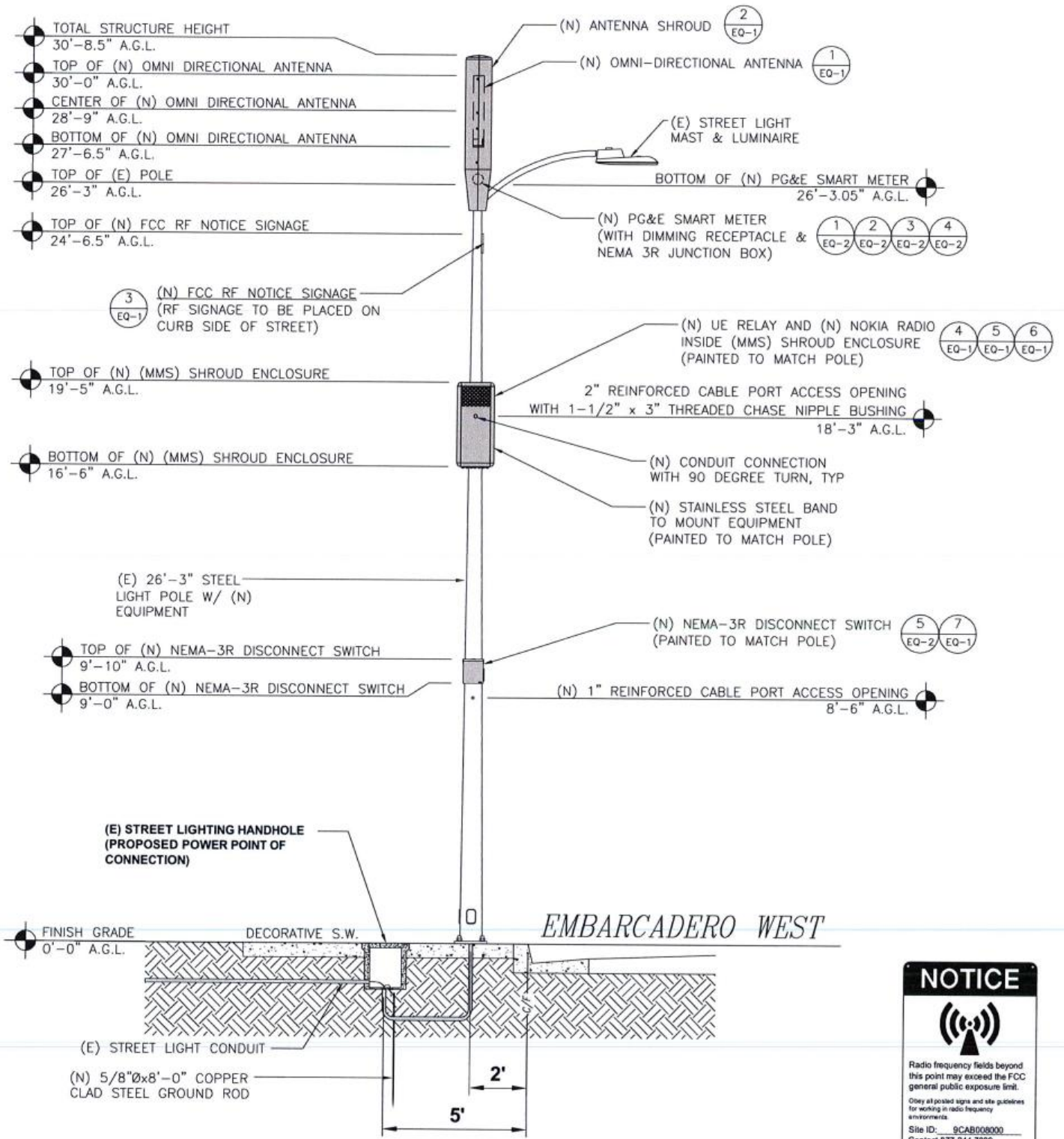
OVERALL SITE PLAN
SCALE: 1" = 20'

PG&E METERING AND SERVICE CONNECTIONS FOR NON-PG&E OWNED STEEL STREETLIGHT POLES WITH ANTENNA AND COMMUNICATION EQUIPMENT

5. A DISCONNECT SWITCH MUST BE INSTALLED AND MEETS ALL OF THE FOLLOWING REQUIREMENTS BELOW. THE SWITCH WILL BE USED AS PART OF THE NORMAL OR EMERGENCY SHUTDOWN PROTOCOLS REQUIRED IN CALIFORNIA PUBLIC UTILITY COMMISSION (CPUC) GENERAL ORDER 95, RULE 94.
- 5.1. THE SWITCH SHALL DE-ENERGIZE ALL POWER SUPPLIES, INCLUDING BACK-UP POWER, AND ANY COMMUNICATION EQUIPMENT EMITTING RADIO FREQUENCIES (RF).
- 5.2. THE SWITCH MUST NOT DE-ENERGIZE (TURN OFF) THE STREET LIGHT(S).
- 5.3. THE SWITCH MUST BE READILY ACCESSIBLE AND ATTACHED EXTERNALLY ON THE POLE LESS THAN 10 FEET ABOVE GRADE. AS MEASURED TO THE TOP OF THE SWITCH ENCLOSURE.
- 5.4. THE SWITCH MAY NOT BE INSTALLED INSIDE THE POLE, IN THE BASE OF THE POLE, OR IN A SUBSURFACE ENCLOSURE.
- 5.5. PROVISIONS FOR LOCKING THE DISCONNECT SWITCH IN THE OFF POSITION ARE REQUIRED.



EXISTING SIDE VIEW



NEW SIDE VIEW

- NOTES:**
1. ALL HARDWARE SHALL BE STAINLESS STEEL.
 2. ALL CABLES SHALL BE SECURED TO POLE EVERY 36" OR LESS.
 3. LIGHTNING RODS SHALL BE INCLUDED AS REQUIRED.
 4. STRUCTURAL BACKFILL TO BE COMPACTED IN 6" MAXIMUM LAYERS TO 95% OF CONTENT IN ACCORDANCE WITH ASTM D698. ADDITIONALLY, STRUCTURAL BACKFILL MUST HAVE A MINIMUM COMPACTED UNIT WEIGHT OF 100 POUNDS PER CUBIC FOOT (16kN/m3)



- RF WARNING SIGN WILL BE PAINTED TO MATCH NEW POLE.
- SIGN TO BE NO LARGER THAN 3'x4'.
- SIGN TO BE MOUNTED ON CURB SIDE.

POLE ELEVATIONS

SCALE: 1" = 5'



PRESCOTT COMMUNICATIONS INC.
10640 Sepulveda Blvd, Suite 1, Mission Hills, CA 91345
Phone No.: (818)998-2352 Fax No.: (818)998-9186

PROJECT NO:	9CAB008000
DRAWN BY:	DK
CHECKED BY:	JM

0	06/13/17	90% CONSTRUCTION
1	09/27/17	REVISED PER PG&E STANDARDS

IT IS A VIOLATION OF THE LAW FOR ANY PERSON, UNLESS THEY ARE ACTING UNDER THE DIRECTION OF A LICENSED PROFESSIONAL ENGINEER, TO ALTER THIS DOCUMENT

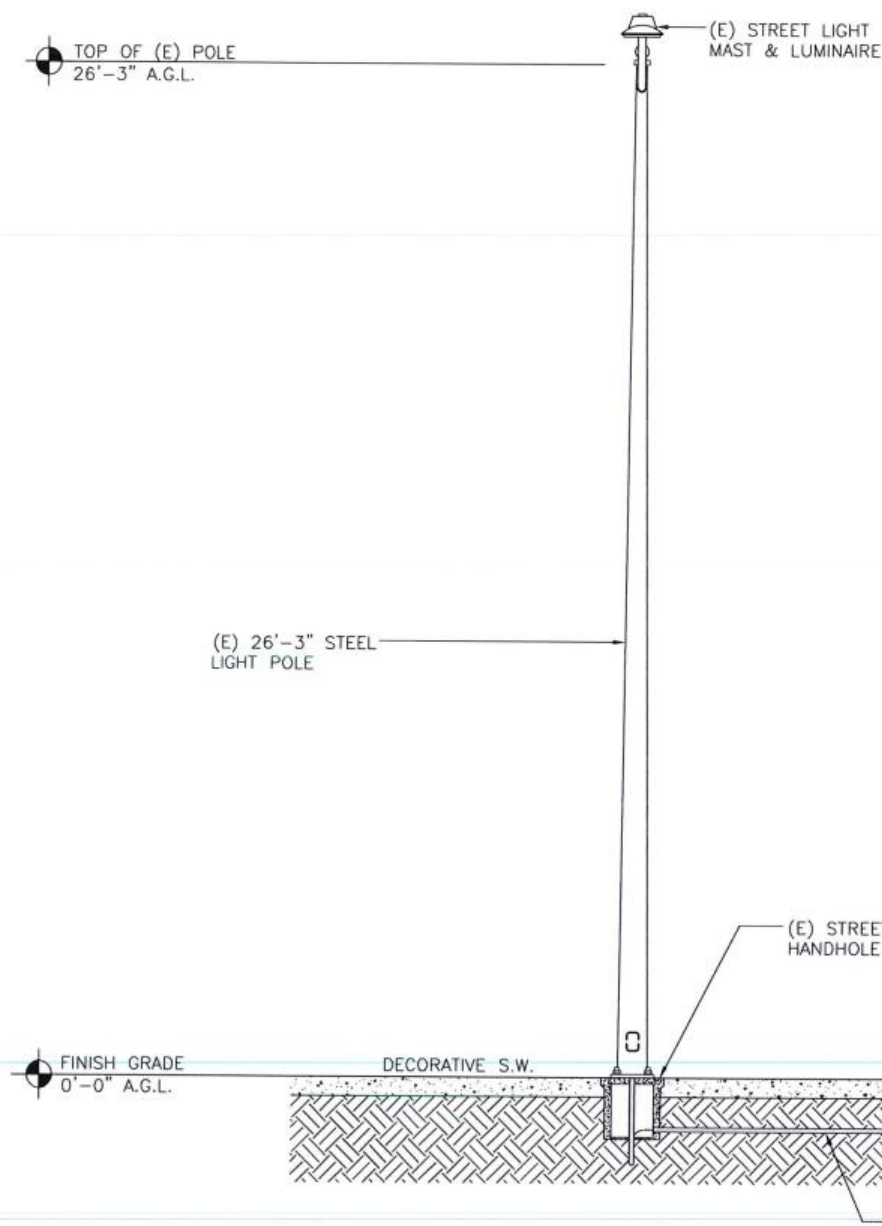
9CAB008000
OAKLAND, CA 94607
(E) 26'-3" STEEL LIGHT POLE

SHEET TITLE
POLE ELEVATIONS

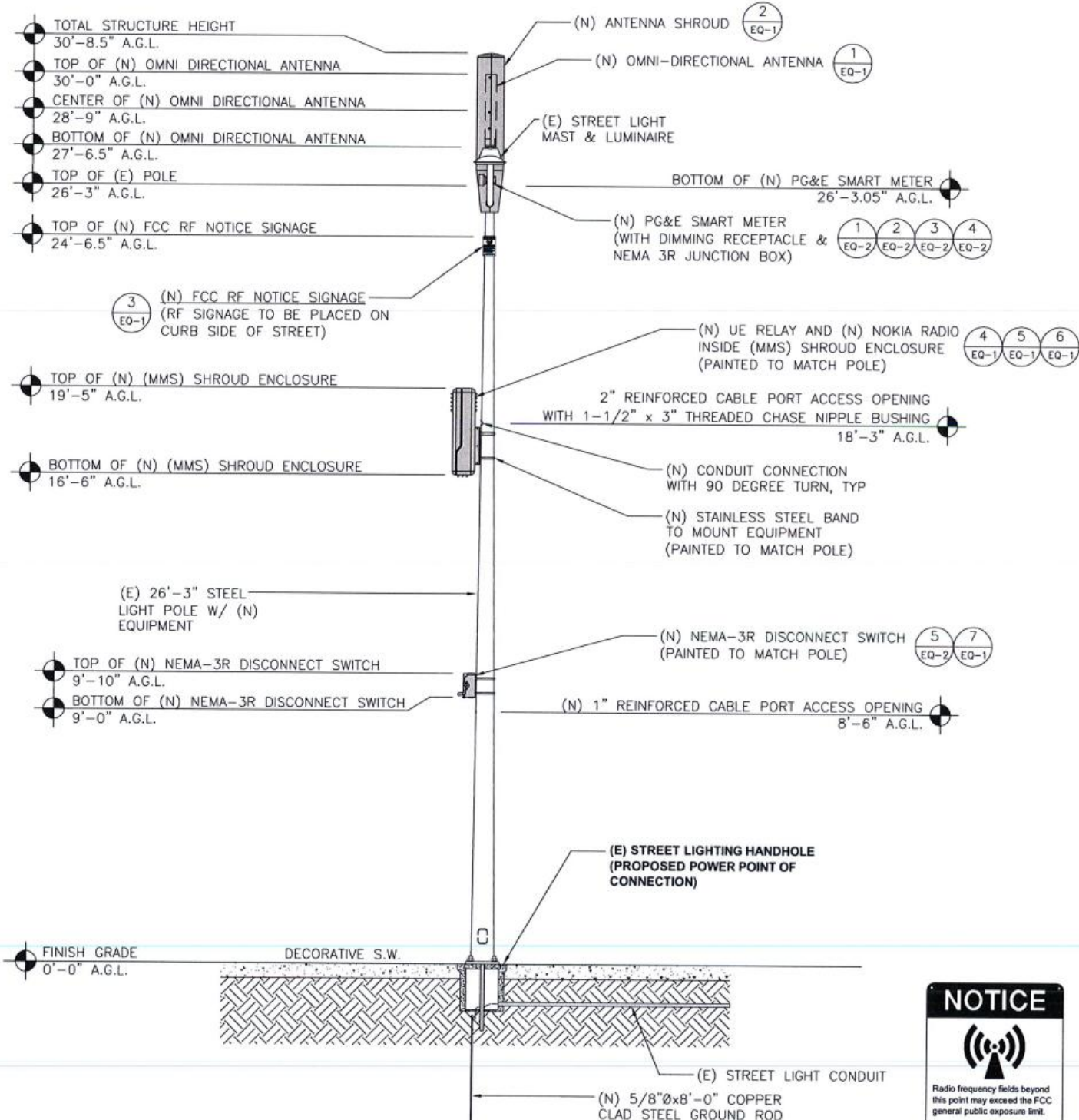
SHEET NUMBER
EV-1

PG&E METERING AND SERVICE CONNECTIONS FOR NON-PG&E OWNED STEEL STREETLIGHT POLES WITH ANTENNA AND COMMUNICATION EQUIPMENT

5. A DISCONNECT SWITCH MUST BE INSTALLED AND MEETS ALL OF THE FOLLOWING REQUIREMENTS BELOW. THE SWITCH WILL BE USED AS PART OF THE NORMAL OR EMERGENCY SHUTDOWN PROTOCOLS REQUIRED IN CALIFORNIA PUBLIC UTILITY COMMISSION (CPUC) GENERAL ORDER 95, RULE 94.
- 5.1. THE SWITCH SHALL DE-ENERGIZE ALL POWER SUPPLIES, INCLUDING BACK-UP POWER, AND ANY COMMUNICATION EQUIPMENT EMITTING RADIO FREQUENCIES (RF).
- 5.2. THE SWITCH MUST **NOT** DE-ENERGIZE (TURN OFF) THE STREET LIGHT(S).
- 5.3. THE SWITCH MUST BE READILY ACCESSIBLE AND ATTACHED EXTERNALLY ON THE POLE LESS THAN 10 FEET ABOVE GRADE. AS MEASURED TO THE TOP OF THE SWITCH ENCLOSURE.
- 5.4. THE SWITCH MAY **NOT** BE INSTALLED INSIDE THE POLE, IN THE BASE OF THE POLE, OR IN A SUBSURFACE ENCLOSURE.
- 5.5. PROVISIONS FOR LOCKING THE DISCONNECT SWITCH IN THE OFF POSITION ARE REQUIRED.



EXISTING FRONT VIEW



NEW FRONT VIEW

- NOTES:**
1. ALL HARDWARE SHALL BE STAINLESS STEEL.
 2. ALL CABLES SHALL BE SECURED TO POLE EVERY 36" OR LESS.
 3. LIGHTNING RODS SHALL BE INCLUDED AS REQUIRED.
 4. STRUCTURAL BACKFILL TO BE COMPACTED IN 6" MAXIMUM LAYERS TO 95% OF CONTENT IN ACCORDANCE WITH ASTM D698. ADDITIONALLY, STRUCTURAL BACKFILL MUST HAVE A MINIMUM COMPACTED UNIT WEIGHT OF 100 POUNDS PER CUBIC FOOT (16kN/m3)

NOTICE

Radio frequency fields beyond this point may exceed the FCC general public exposure limit. Obey all posted signs and site guidelines for working in radio frequency environments. Site ID: 9CAB008000 Contact 877-244-7889

mobilitie

- RF WARNING SIGN WILL BE PAINTED TO MATCH NEW POLE.
- SIGN TO BE NO LARGER THAN 3'x4'.
- SIGN TO BE MOUNTED ON CURB SIDE.

POLE ELEVATIONS

SCALE: 1" = 5'



PRESCOTT COMMUNICATIONS INC.
10640 Sepulveda Blvd, Suite 1, Mission Hills, CA 91345
Phone No.: (818) 998-2352 Fax No.: (818) 998-9186

PROJECT NO:	9CAB008000
DRAWN BY:	DK
CHECKED BY:	JM

0	06/13/17	90% CONSTRUCTION
1	09/27/17	REVISED PER PG&E STANDARDS

IT IS A VIOLATION OF THE LAW FOR ANY PERSON, UNLESS THEY ARE ACTING UNDER THE DIRECTION OF A LICENSED PROFESSIONAL ENGINEER, TO ALTER THIS DOCUMENT

9CAB008000
OAKLAND, CA 94607
(E) 26'-3" STEEL LIGHT POLE

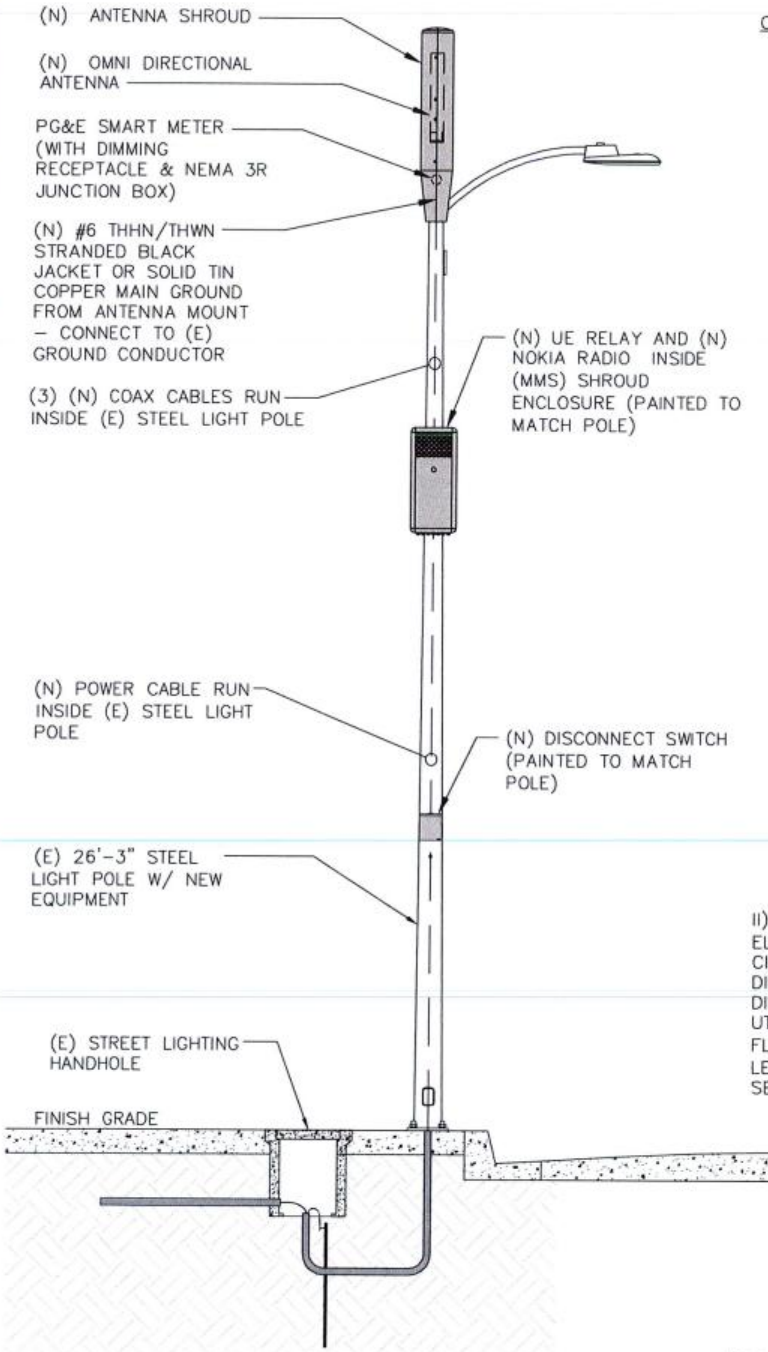
SHEET TITLE
POLE ELEVATIONS

SHEET NUMBER
EV-2

NOTE:
 1. CABLING DIAGRAM IS FOR CLARITY OF CABLE ROUTE AND TERMINATION ONLY. CONTRACTOR SHALL INSTALL CABLES WITH MINIMAL VISUAL IMPACT ON (E) STEEL LIGHT POLE. SEE ELEVATION DRAWING FOR EQUIPMENT AND ANTENNA LOCATIONS.

CABLING NOTES:

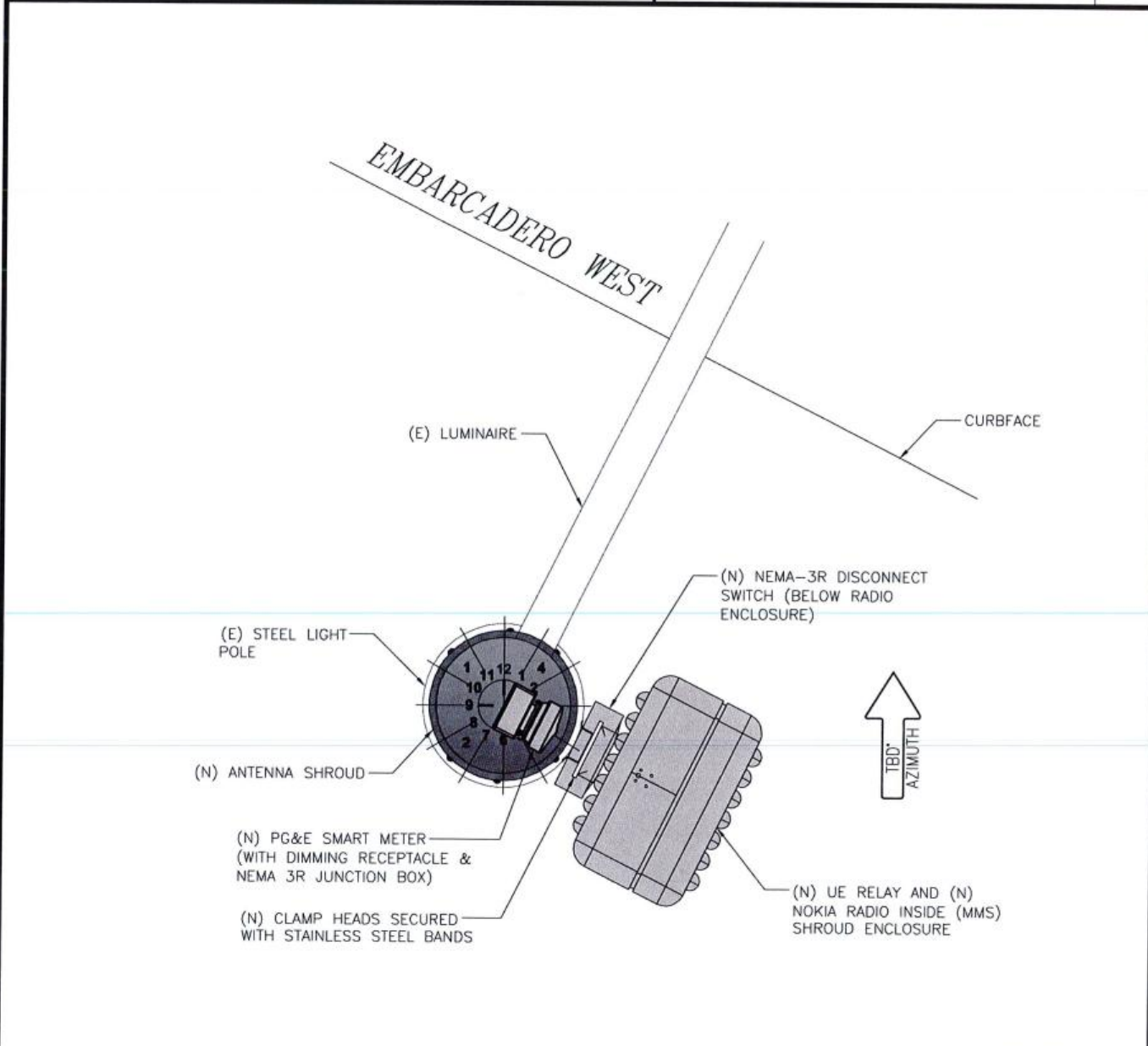
- A) WOOD, CONCRETE AND EXISTING METALLIC POLES
 I) FROM GRADE LINE TO 11'-0" ABOVE GRADE, ALL CABLES/CONDUCTORS EXCEPT GROUNDING CONDUCTOR MUST RUN IN RIGID GALVANIZED STEEL CONDUIT (RGS)
 II) GROUNDING CONDUCTORS IN EXPOSED LOCATIONS MUST BE INSTALLED IN PVC.
 III) IN EARTH INSTALL PVC CONDUIT FOR BACKHAUL AND ELECTRICAL SERVICE. TRANSITION TO RGS AT GRADE LINE.
 IV) ABOVE 11'-0" ALL CABLES (POWER, ETHERNET, COAXIAL) MUST RUN IN PVC UTILITY POLE RISER.
 (1) AT MAJOR EQUIPMENT, EXTEND UTILITY DUCT IMMEDIATELY ADJACENT TO THE EQUIPMENT. INSTALL CABLES IN THE UTILITY POLE RISER CREATING CABLE DRIP LOOPS NOT LESS THAN THE CABLE BENDING RADIUS.
 (2) INSIDE THE UTILITY POLE RISER, UTILIZE 1/2" COAX BLOCKS WITH LAG SCREWS TO SUPPORT COAX, RADIO AND MW POWER, RF COAX, AND ETHERNET CABLES TO WITHIN 12" OF THE EQUIPMENT BEING SERVED AND ON INTERVALS NOT TO EXCEED 6'.
 V) FOR UNDERGROUND HFC/PUBLIC BACKHAUL, ROUTE ETHERNET CABLE IN CONDUIT UP THE POLE AND ENTER THE UTILITY POLE RISER. SEAL EXPOSED END OF CONDUIT WITH A CABLE TERMINATION FITTING.
 VI) BY APPROVAL IN SELECT CASES LIQUID-TIGHT FLEXIBLE METALLIC CONDUIT (LFMC) MAY BE USED IN LENGTHS NOT TO EXCEED 36" TO EXTEND THE ELECTRICAL SERVICE CONDUIT TO THE AC DISTRIBUTION BOX. EXAMPLE: UTILITY-REQUIRED DISCONNECT ON POLE W/ AC DISTRIBUTION BOX ON OPPOSITE SIDE OF POLE.
 B) (N) METALLIC POLES
 I) PROCURE (N) POLES WITH SUITABLE HAND HOLES SUCH THAT HAND HOLES EXIST AT ALL EQUIPMENT LOCATIONS.
 (1) WITH CLIENT APPROVAL IN SELECT CASES TO FACILITATE IMPROVED APPEARANCE, 1/2" COAXIAL CABLES MAY BE "SUPERFLEX" IN LIEU OF LDF-4.
 II) WHERE POSSIBLE, INSTALL POLE BASE SUCH THAT THE ELECTRICAL FEED AND BACKHAUL (IF UNDERGROUND) CIRCUIT ENTER THE POLE THROUGH THE POLE BASE. IF A DISCONNECTING MEANS SEPARATE FROM THE AC DISTRIBUTION BOX IS REQUIRED BY JURISDICTION OR UTILITY, WITH APPROVAL IN SELECT CASES LIQUID-TIGHT FLEXIBLE METALLIC CONDUIT (LFMC) MAY BE USED IN LENGTHS NOT TO EXCEED 36" TO EXTEND THE ELECTRICAL SERVICE CONDUIT TO THE AC DISTRIBUTION BOX.



PLUMBING DIAGRAM
 SCALE: NOT TO SCALE 1

EQUIPMENT CHART			
QTY.	DESCRIPTION	DIMENSIONS	WEIGHT
1	ANTENNA MODEL #AW3477-S1-G (OMNI DIRECTIONAL ANTENNA)	29.5" x 4.5"Ø	7 LBS
1	CONCEALFAB ANTENNA SHROUD	47.375" x 17" x 10.75"Ø	16.11 LBS
1	(MMS) SHROUD ENCLOSURE	35" x 15.5" x 9"	12 LBS
1	AIRSPAN IR460 (UE RELAY)	13" x 7"Ø	8.8 LBS
1	NOKIA RADIO (B41 FWHR) HIGH POWER	7.7" x 12.9" x 6.3"	24.64 LBS
3	FANS (2 SMALL, 1 LARGER)		2.76 LBS
1	SMART METER	2.67" x 4.5"Ø	-
1	RECEPTACLE	-	-
1	ALLEN-BRADLEY NEMA 3R JUNCTION BOX	4.53" x 2.58" x 2.17"	-
1	SIEMENS DISCONNECT SWITCH MODEL #GNF321 NEMA-3R	9.9" X 8.8" X 4.5"	5 LBS.
TOTAL WEIGHT			76.31 LBS

EQUIPMENT CHART
 SCALE: NOT TO SCALE 2



RISER DIAGRAM
 SCALE: NOT TO SCALE 3



PRESCOTT COMMUNICATIONS INC.
 10640 Sepulveda Blvd. Suite 1, Mission Hills, CA 91345
 Phone No. (818)998-2352 Fax No. (818)998-9186

PROJECT NO: 9CAB008000
 DRAWN BY: DK
 CHECKED BY: JM

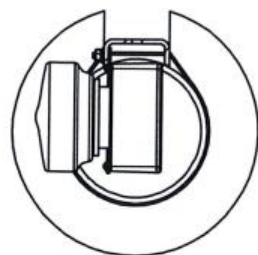
REV	DATE	DESCRIPTION
0	06/13/17	90% CONSTRUCTION
1	09/27/17	REVISED PER PG&E STANDARDS

IT IS A VIOLATION OF THE LAW FOR ANY PERSON, UNLESS THEY ARE ACTING UNDER THE DIRECTION OF A LICENSED PROFESSIONAL ENGINEER, TO ALTER THIS DOCUMENT

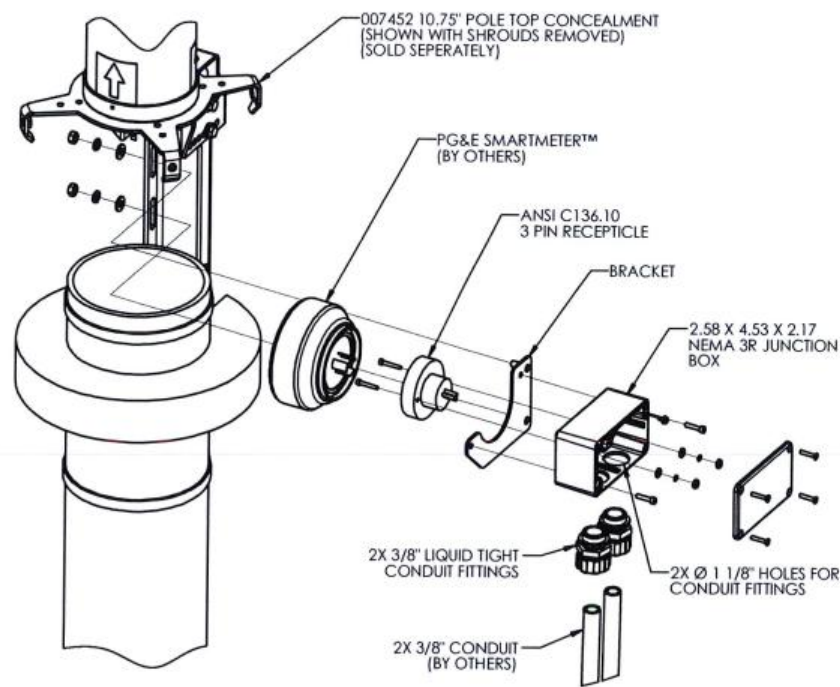
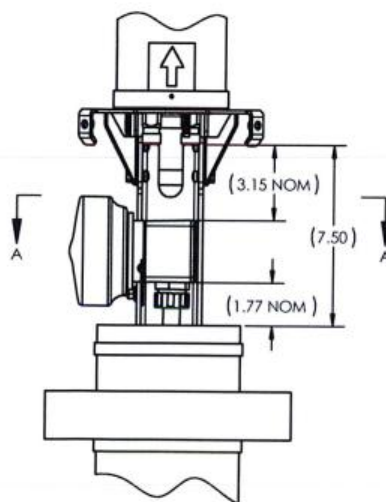
9CAB008000
 OAKLAND, CA 94607
 (E) 26'-3" STEEL LIGHT POLE

SHEET TITLE
PLUMBING & RISER DIAGRAM

SHEET NUMBER
PL-1



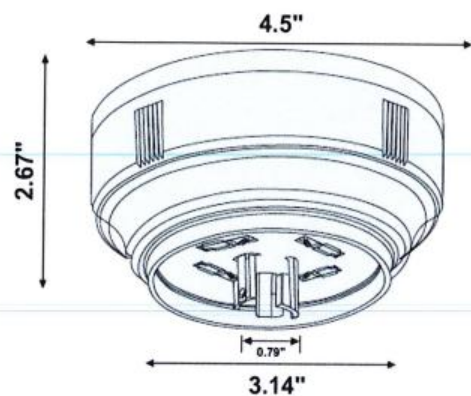
SECTION A-A



PG&E SMART METER

SCALE
N.T.S. 1

- UNIVERSAL AC INPUT 90V-305V, 50/60HZ
- AMPERE RATING: 15A MAX CONTINUOUS
- ADVANCED METERING INFRASTRUCTURE (AMI) NETWORK COMMUNICATION CARD TO REMOTELY SEND ENERGY USAGE BACK TO THE HEAD-END SYSTEM:
- DATE RATE: 50 TO 300 KBPS
- FREQUENCY RANGE: 902-928 MHZ
- SPREAD SPECTRUM: FREQUENCY HOPPING
- TRANSMITTER OUTPUT: 27-30 DBM (1W)
- RECEIVER SENSITIVITY: -98 DBM FOR 10% PER
- PROTOCOL: IEEE 802.15.4G



PG&E SMART METER

SCALE
N.T.S. 2

NEMA-3R DISCONNECT SWITCH

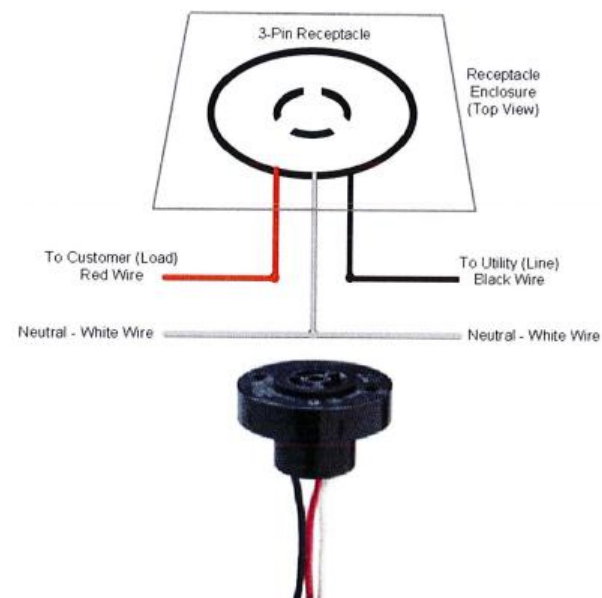


MANUFACTURER:
ALLEN-BRADLEY
MODEL: 598-BS533
HEIGHT: 4.53 IN
WIDTH: 2.58 IN
DEPTH: 2.17 IN
WEIGHT: TBD

Rockwell Automation
Allen-Bradley

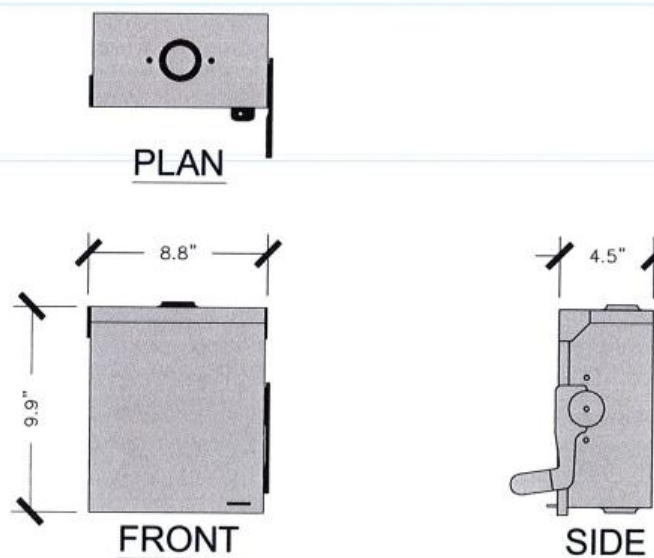
NEMA 3R JUNCTION BOX

SCALE
N.T.S. 3



DIMMING RECEPTACLE

SCALE
N.T.S. 4



MANUFACTURER:
SIEMENS
MODEL: GNF321R (OR APPROVED EQUAL)
HEIGHT: 9.9 IN
WIDTH: 8.8 IN
DEPTH: 4.5 IN
WEIGHT: 5 LBS

SIEMENS

SEE DETAIL

3
EQ-1

mobilitie
intelligent infrastructure

CeS cable engineering services

PRESCOTT COMMUNICATIONS INC.

10640 Sepulveda Blvd, Suite 1, Mission Hills, CA 91345
Phone No.: (818)998-2352 Fax No.: (818)998-9186

PROJECT NO: 9CAB008000

DRAWN BY: DK

CHECKED BY: JM

0 06/13/17 90% CONSTRUCTION

1 09/27/17 REVISED PER PG&E STANDARDS

IT IS A VIOLATION OF THE LAW FOR ANY PERSON, UNLESS THEY ARE ACTING UNDER THE DIRECTION OF A LICENSED PROFESSIONAL ENGINEER, TO ALTER THIS DOCUMENT

9CAB008000
OAKLAND, CA 94607
(E) 26'-3" STEEL LIGHT POLE

SHEET TITLE
EQUIPMENT DETAILS

SHEET NUMBER
EQ-2

SCALE
N.T.S. 5

PROJECT NO:	9CAB008000
DRAWN BY:	DK
CHECKED BY:	JM

0	06/13/17	90% CONSTRUCTION
1	09/27/17	REVISED PER PG&E STANDARDS

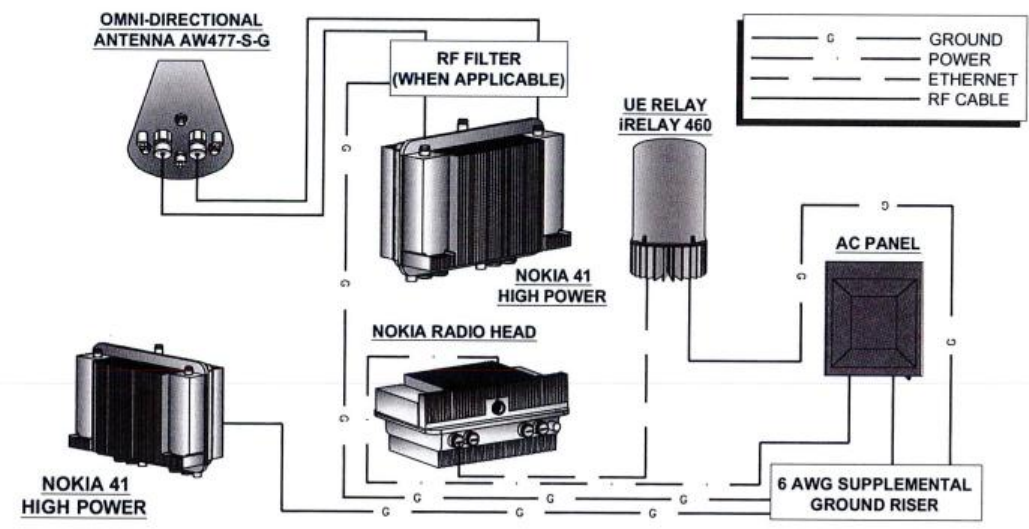
IT IS A VIOLATION OF THE LAW FOR ANY PERSON, UNLESS THEY ARE ACTING UNDER THE DIRECTION OF A LICENSED PROFESSIONAL ENGINEER, TO ALTER THIS DOCUMENT

9CAB008000
OAKLAND, CA 94607
(E) 26'-3" STEEL LIGHT POLE

SHEET TITLE
ELECTRICAL DETAILS

SHEET NUMBER
E-1

NOKIA MM RADIO W/ UE RELAY



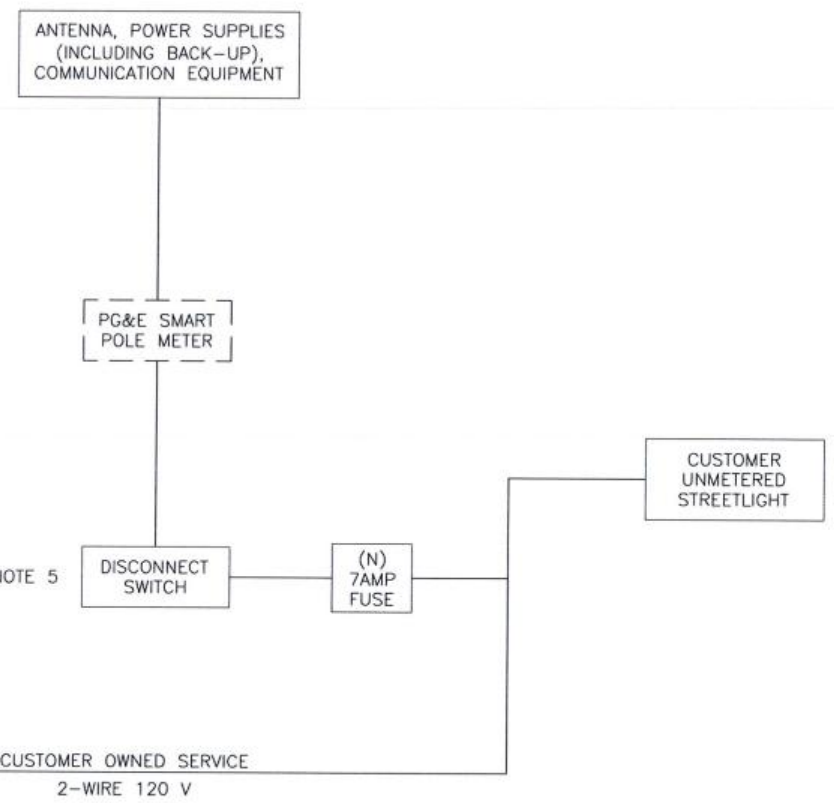
WIRING DIAGRAM
SCALE: NOT TO SCALE 2

NOTES:

1. NOMINAL POWER IS CALCULATED AS 80% OF OEM DOCUMENTED MAXIMUM POWER.
2. CALCULATIONS FOR UE W/ NOKIA DO NOT NEED TO INCLUDE THE POWER FOR THE UE ANTENNA AS IT IS INCLUDED IN THE MAX POWER FIGURE. CALCULATIONS FOR UE W/ AIRSPAN MUST INCLUDE UE AS IT IS NOT INCLUDED
3. KVA IS CALCULATED FROM THE CONSUMPTION VALUE ASSUMING A PF=1. MAXIMUM POWER WAS USED FOR KVA. WHERE MAXIMUM WAS NOTED BY THE OEM THE QUOTED FIGURE WAS USED. WHERE AVERAGE/NOMINAL POWER WAS NOTED BY THE OEM MAXIMUM POWER WAS CALCULATED BY INCREASING AVERAGE/NOMINAL POWER BY A FACTOR OF 50%
4. COST PER KW PROVIDED BY BRAIN KOOYMAN

UNIT	SUB DESCRIPTION	MAX POWER	NOMINAL POWER	AVERAGE POWER (W)	CONS. (W)	KVA	KWH/YR	\$/YR	\$/MO
FWHR	B41 High	360	288	N/A	288	0.36	2522.88	\$276.51	\$23.04
AIRSPAN UE RELAY	IR460-SPB-ST1-P-0	N/A	N/A	N/A	0	0	0	\$-	\$-
TOTAL					288	0.36	2522.88	\$276.51	\$23.04

LOAD CALCULATIONS
SCALE: NOT TO SCALE 3



ONE-LINE DIAGRAM
SCALE: NOT TO SCALE 1

ANTENNA, POWER SUPPLIES (INCLUDING BACK-UP), COMMUNICATION EQUIPMENT

PG&E SMART POLE METER

1 EV-1 SEE NOTE 5

DISCONNECT SWITCH

(N) 7AMP FUSE

CUSTOMER UNMETERED STREETLIGHT

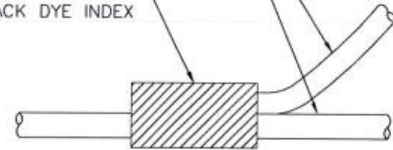
PG&E SPLICE BOX

CUSTOMER OWNED SERVICE 2-WIRE 120 V

NOTE:
CONTRACTOR TO SURROUND COMPLETED CONNECTION WITH HEAT-SHRINK TUBING TO ENSURE WEATHER PROOF CONNECTION

#6 THHN/THWN STRANDED BLACK JACKET OR SOLID TIN COPPER FROM EQUIPMENT TO MAIN GROUND CONDUCTOR, TYP.

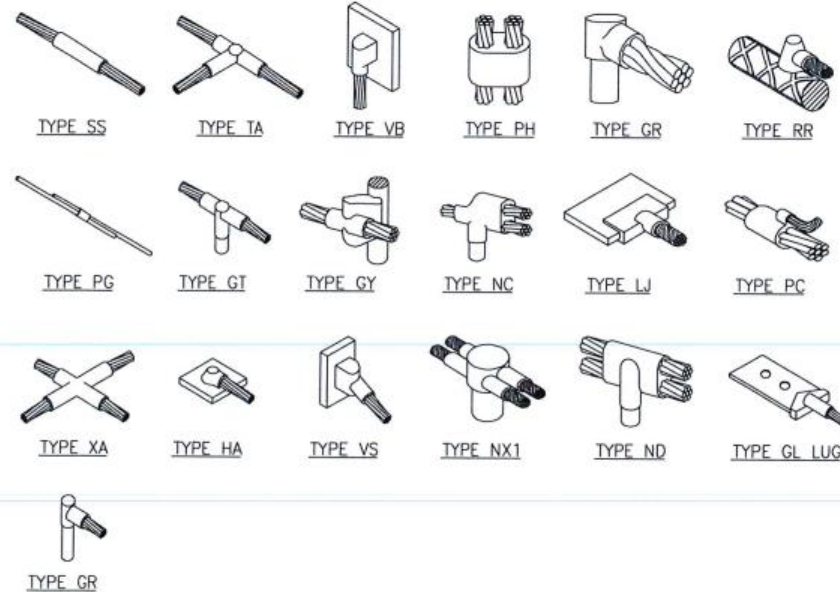
THIN WALL C-TAP WITH BLACK DYE INDEX



C-TAP DETAIL

SCALE: NOT TO SCALE

1

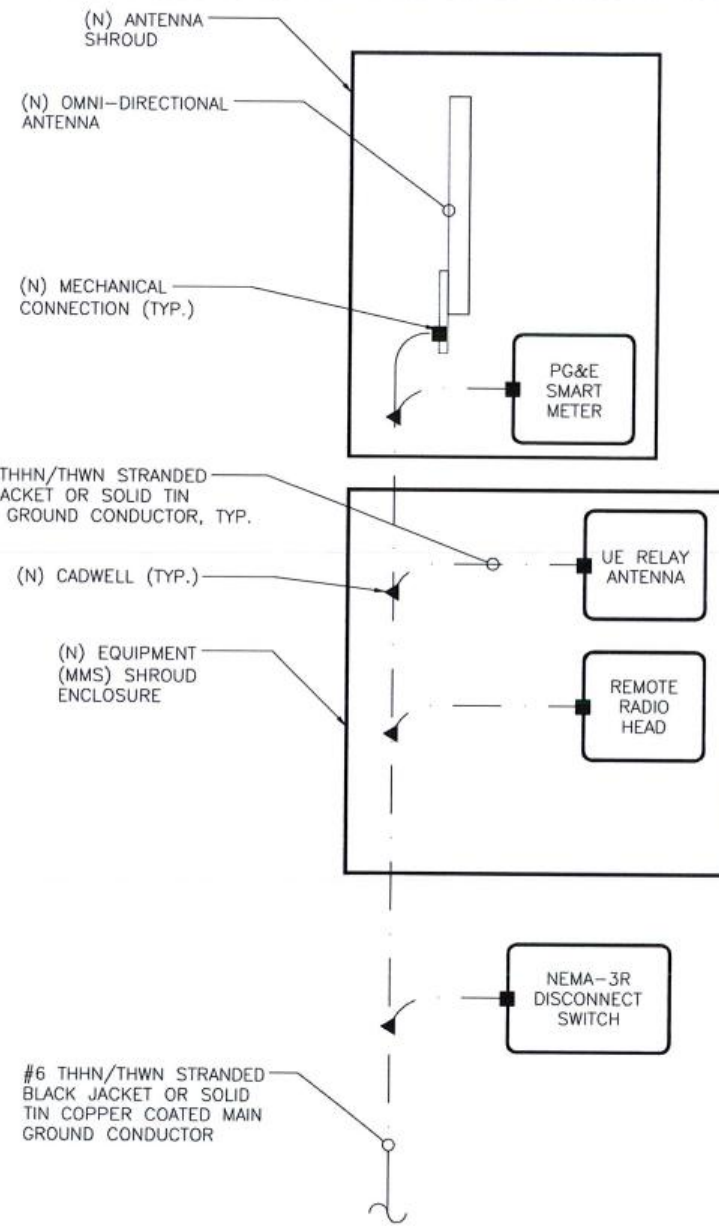


- GROUNDING BONDS:** ALL BONDS ARE TO BE MADE WITH #2 AWG STRANDED COPPER IN GREEN INSULATION. (ATT-TP-76416 7, 6.7)
- EXTERIOR UNIT BONDS:** ALL METALLIC OBJECTS SHALL BE BONDED TO THE GROUND ROD. (ATT-TP-76416 7, 12.6)
- GROUND ROD:** UL LISTED COPPER CLAD STEEL GROUND ROD WITH MINIMUM DIAMETER OF 5/8" AND MINIMUM LENGTH OF 8 FEET. ALL GROUND RODS MAY BE INSTALLED WITH INSPECTION SLEEVES. GROUND RODS SHALL BE DRIVEN TO A MINIMUM DEPTH OF 30" BELOW GRADE OR 6 INCHES BELOW FROST LINE. (ATT-TP-76416 1.4 / 2.2, 3, 10)

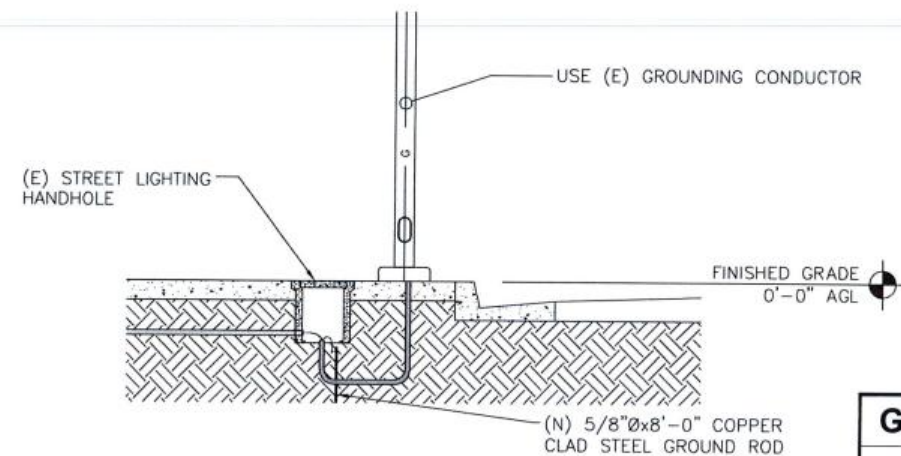
WELD CONNECTION DETAILS

SCALE: NOT TO SCALE

2



#6 THHN/THWN STRANDED BLACK JACKET OR SOLID TIN COPPER COATED MAIN GROUND CONDUCTOR



GROUNDING SYMBOLS			
◀	CADWELD	—	GROUND WIRE
■	MECHANICAL CONNECTION	⊥	GROUND
⊥	COPPER GROUND BAR (GB)		
⊙	5/8" x 8' COPPER CLAD STEEL GROUND ROD		

- NOTES:
- GROUNDING RISER FOR DIAGRAMMATIC PURPOSES ONLY. SEE ELEVATION DRAWING FOR EQUIPMENT AND ANTENNA LOCATIONS.
 - ALL RGS TO BE GROUNDED AT BOTH ENDS USING GROUNDING BUSHINGS
 - GROUND WIRE BELOW 11' AGL TO BE RUN IN 1/2" SCHEDULE 40 PVC

GROUNDING RISER DIAGRAM

SCALE: NOT TO SCALE

3



CeS cable engineering services
 PRESCOTT COMMUNICATIONS INC.
 10640 Sepulveda Blvd, Suite 1, Mission Hills, CA 91345
 Phone No.: (818)998-2352 Fax No.: (818)998-9186

PROJECT NO:	9CAB008000	
DRAWN BY:	DK	
CHECKED BY:	JM	
0	06/13/17	90% CONSTRUCTION
1	09/27/17	REVISED PER PG&E STANDARDS

IT IS A VIOLATION OF THE LAW FOR ANY PERSON, UNLESS THEY ARE ACTING UNDER THE DIRECTION OF A LICENSED PROFESSIONAL ENGINEER, TO ALTER THIS DOCUMENT

9CAB008000
 OAKLAND, CA 94607
 (E) 26'-3" STEEL LIGHT POLE

SHEET TITLE
GROUNDING DETAILS

SHEET NUMBER
G-1

GENERAL CONSTRUCTION NOTES:

1. ALL WORK SHALL CONFORM TO THE REQUIREMENTS OF THE LOCAL BUILDING CODE, THE LATEST ADOPTED EDITION AND ALL OTHER APPLICABLE CODES AND ORDINANCES.
2. CONTRACTOR SHALL CONSTRUCT SITE IN ACCORDANCE WITH THESE DRAWINGS AND LATEST MOBILITIE CONSTRUCTION STANDARDS. THE SPECIFICATION IS THE RULING DOCUMENT AND ANY DISCREPANCIES BETWEEN THE SPECIFICATION AND THE CONSTRUCTION DRAWINGS SHALL BE BROUGHT TO THE ATTENTION OF THE ARCHITECT/ENGINEER OR MOBILITIE CM PRIOR TO THE COMMENCEMENT OF WORK.
3. CONTRACTOR SHALL VISIT THE JOB SITE AND SHALL FAMILIARIZE THEMSELVES WITH ALL CONDITIONS AFFECTING THE (N) WORK AND SHALL MAKE PROVISIONS AS TO THE COST THEREOF. CONTRACTOR SHALL BE RESPONSIBLE FOR FAMILIARIZING THEMSELVES WITH ALL CONTRACT DOCUMENTS, FIELD CONDITIONS AND DIMENSIONS AND CONFIRMING THAT THE WORK MAY BE ACCOMPLISHED, AS SHOWN, PRIOR TO PROCEEDING WITH CONSTRUCTION. ANY DISCREPANCIES SHALL BE BROUGHT TO THE ATTENTION OF THE ARCHITECT/ENGINEER OR MOBILITIE CM PRIOR TO THE COMMENCEMENT OF WORK. NO COMPENSATION WILL BE AWARDED BASED ON CLAIM OF LACK OF KNOWLEDGE OF FIELD CONDITIONS.
4. IT IS NOT THE INTENT OF THESE PLANS TO SHOW EVERY MINOR DETAIL OF CONSTRUCTION. CONTRACTOR IS REQUIRED TO FURNISH AND INSTALL ANY/ALL ITEMS FOR A COMPLETE AND FULLY FUNCTIONAL SYSTEM SUBJECT ONLY TO OWNER-SUPPLIED ITEMS. CONTRACTOR SHALL PROVIDE ANY/ALL REQUIREMENTS FOR THE EQUIPMENT TO BE PLACED IN PROPER WORKING ORDER.
5. PLANS ARE NOT TO BE SCALED. THESE PLANS ARE INTENDED TO BE A DIAGRAMMATIC OUTLINE ONLY UNLESS OTHERWISE NOTED. THE WORK SHALL INCLUDE FURNISHING MATERIALS, EQUIPMENT AND APPURTENANCES, AND LABOR NECESSARY TO EFFECT ALL INSTALLATIONS AS INDICATED ON THE DRAWINGS. OWNER PROVIDED MATERIALS WILL INCLUDE THOSE ITEMS LISTED IN THE EQUIPMENT DETAILS SECTION OF THESE DRAWING UNLESS OTHERWISE SPECIFIED OR PROVIDED TO THE CONTRACTOR IN WRITING PRIOR TO CONSTRUCTION START.
6. DIMENSIONS SHOWN ARE TO FINISH SURFACES UNLESS OTHERWISE NOTED. SPACING BETWEEN EQUIPMENT IS REQUIRED CLEARANCE. THEREFORE, IT IS CRITICAL TO FIELD VERIFY DIMENSIONS. SHOULD THERE BE ANY QUESTIONS REGARDING THE CONTRACT DOCUMENTS, (E) CONDITIONS AND/OR DESIGN INTENT, THE CONTRACTOR SHALL BE RESPONSIBLE FOR REPORTING ANY DISCREPANCIES TO THE ATTENTION OF THE MOBILITIE CM, IN WRITING, PRIOR TO THE COMMENCEMENT OF WORK.
7. DETAILS PROVIDED ARE FOR THE PURPOSE OF SHOWING DESIGN INTENT. MODIFICATIONS MAY BE REQUIRED TO SUIT JOB DIMENSIONS OR SITE CONDITIONS, AND SUCH MODIFICATIONS SHALL BE INCLUDED AS PART OF THE WORK.
8. CONTRACTOR SHALL PAY FOR APPLICABLE PERMITS, FEES, INSPECTIONS AND TESTING. CONTRACTOR IS TO OBTAIN PERMITS AND APPROVED SUBMITTALS PRIOR TO ORDERING MATERIALS AND THE COMMENCEMENT OF WORK.
9. THE TERM "PROVIDE" USED IN CONSTRUCTION DOCUMENTS AND SPECIFICATIONS, INDICATES THAT THE CONTRACTOR SHALL FURNISH AND INSTALL.
10. CONTRACTOR SHALL RECEIVE CLARIFICATION IN WRITING, AND SHALL RECEIVE IN WRITING AUTHORIZATION TO PROCEED BEFORE STARTING WORK ON ANY ITEMS NOT CLEARLY DEFINED OR IDENTIFIED BY THE CONTRACT DOCUMENTS.
11. CONTRACTOR SHALL SUPERVISE AND DIRECT THE WORK USING ACCEPTED INDUSTRY-STANDARD SKILLS AND ATTENTION. CONTRACTOR SHALL BE SOLELY RESPONSIBLE FOR CONSTRUCTION MEANS, METHODS, TECHNIQUES, SEQUENCES AND PROCEDURES AND FOR COORDINATING ALL PORTIONS OF THE WORK UNDER CONTRACT, UNLESS OTHERWISE NOTED.
12. CONTRACTOR SHALL BE RESPONSIBLE FOR THE SAFETY OF THE WORK AREA, ADJACENT AREAS AND BUILDING OCCUPANTS THAT ARE LIKELY TO BE AFFECTED BY THE WORK UNDER THIS CONTRACT. WORK SHALL CONFORM TO ALL OSHA REQUIREMENTS.
13. CONTRACTOR SHALL COORDINATE THEIR WORK WITH THE MOBILITIE CM AND SCHEDULE THEIR ACTIVITIES AND WORKING HOURS IN ACCORDANCE WITH THE REQUIREMENTS.

14. CONTRACTOR SHALL BE RESPONSIBLE FOR COORDINATING THEIR WORK WITH THE WORK OF OTHERS AS IT MAY RELATE TO RADIO EQUIPMENT, ANTENNAS AND ANY OTHER PORTIONS OF THE WORK.
15. CONTRACTOR SHALL INSTALL ALL EQUIPMENT AND MATERIALS IN ACCORDANCE WITH MANUFACTURERS RECOMMENDATIONS UNLESS SPECIFICALLY OTHERWISE INDICATED OR WHERE LOCAL CODES OR REGULATIONS TAKE PRECEDENCE.
16. CONTRACTOR SHALL MAKE NECESSARY PROVISIONS TO PROTECT (E) SURFACES, EQUIPMENT, IMPROVEMENTS, PIPING ETC. AND IMMEDIATE REPAIR, TO NEW CONDITION, ANY DAMAGE THAT OCCURS DURING CONSTRUCTION AT THE SOLE COST OF THE CONTRACTOR.
17. IN DRILLING HOLES, OR CORING, INTO CONCRETE WHETHER FOR FASTENING OR ANCHORING PURPOSES, OR PENETRATIONS THROUGH THE FLOOR FOR CONDUIT RUNS, PIPE RUNS, ETC., MUST BE CLEARLY UNDERSTOOD THAT REINFORCING STEEL SHALL NOT BE DRILLED INTO, CUT OR DAMAGED UNDER ANY CIRCUMSTANCES (UNLESS NOTED OTHERWISE). LOCATIONS OF REINFORCING STEEL ARE NOT DEFINITELY KNOWN AND THEREFORE MUST BE LOCATED BY THE CONTRACTOR USING APPROPRIATE METHODS AND EQUIPMENT PRIOR TO ANY DRILLING OR CORING OPERATIONS IN (E) CONCRETE.
18. CONTRACTOR SHALL REPAIR, TO NEW CONDITION, ALL (E) WALL SURFACES DAMAGED DURING CONSTRUCTION SUCH THAT THEY MATCH AND BLEND IN WITH ADJACENT SURFACES.
19. CONTRACTOR SHALL SEAL PENETRATIONS THROUGH FIRE RATED ASSEMBLIES OR MATERIALS WITH U.L. LISTED AND FIRE CODE APPROVED MATERIALS AND SYSTEMS THAT MEET OR EXCEED THE RATING OF THE ASSEMBLY IN WHICH THE NEW PENETRATION IS PLACED.
20. CONTRACTOR SHALL KEEP CONTRACT AREA CLEAN, HAZARD FREE, AND DISPOSE OF ALL DIRT, DEBRIS, AND RUBBISH. EQUIPMENT NOT SPECIFIED AS REMAINING ON THE PROPERTY OF THE OWNER SHALL BE REMOVED. LEAVE PREMISES IN CLEAN CONDITION AND FREE FROM PAINT SPOTS, DUST, OR SMUDGES OF ANY NATURE. CONTRACTOR SHALL BE RESPONSIBLE FOR MAINTAINING ALL ITEMS UNTIL COMPLETION OF CONSTRUCTION.
21. MINIMUM BEND RADIUS OF ANTENNA CABLES SHALL BE IN ACCORDANCE WITH CABLE MANUFACTURERS RECOMMENDATIONS.
22. CONTRACTOR SHALL MINIMIZE DISTURBANCE TO (E) SITE DURING CONSTRUCTION. EROSION CONTROL MEASURES, IF REQUIRED DURING CONSTRUCTION SHALL BE IN CONFORMANCE WITH JURISDICTIONAL OR STATE AND LOCAL GUIDELINES FOR EROSION AND SEDIMENT CONTROL AND COORDINATED WITH LOCAL REGULATORY AUTHORITIES. CONTRACTOR SHALL BE RESPONSIBLE FOR MAINTENANCE OF ANY EROSION CONTROL MEASURES, RECORD-KEEPING, MONITORING, AND REPORTING TO THE OWNER AND REGULATORY AUTHORITIES.
23. ALL CONSTRUCTION WORK IS TO ADHERE TO APPLICANT'S INTEGRATED CONSTRUCTION STANDARDS UNLESS STATE OR LOCAL CODE IS MORE STRINGENT.
24. THE INTENT OF THE PLANS AND SPECIFICATIONS IS TO PERFORM THE CONSTRUCTION IN ACCORDANCE PER STATE BUILDING STANDARDS CODE AND STATE CODE OF REGULATIONS. SHOULD ANY CONDITIONS DEVELOP NOT COVERED BY THE APPROVED PLANS AND SPECIFICATIONS WHEREIN THE FINISHED WORK WILL NOT COMPLY PER STATE CODE OF REGULATIONS, A SCOPE OF WORK DETAILING AND SPECIFYING THE REQUIRED WORK SHALL BE SUBMITTED TO AND APPROVED BY THE JURISDICTION BEFORE PROCEEDING WITH THE WORK. A CHANGE ORDER FOR THAT SCOPE SHALL BE SUBMITTED TO THE MOBILITIE CM PRIOR TO PROCEEDING WITH THE WORK.
25. ADEQUATE AND REQUIRED LIABILITY INSURANCE SHALL BE PROVIDED BY THE CONTRACTOR FOR PROTECTION AGAINST PUBLIC LOSS AND ANY/ALL PROPERTY DAMAGE FOR THE DURATION OF WORK.
26. CONTRACTOR SHALL GUARANTEE ANY/ALL MATERIALS AND WORK FREE FROM DEFECTS FOR A PERIOD OF NOT LESS THAN ONE YEAR FROM DATE OF ACCEPTANCE. ANY CORRECTIVE WORK SHALL BE COMPLETED AT THE SOLE COST OF THE CONTRACTOR.
27. CONTRACTOR TO TAP IN AT THE POC AND RUN A NEW, SEPARATE CIRCUIT THROUGH CITY CONDUIT TO GO TO THE POLE.

ELECTRICAL NOTES:

1. ELECTRICAL CONTRACTOR SHALL SUPPLY AND INSTALL ANY/ALL ELECTRICAL WORK INDICATED. ANY/ALL CONSTRUCTION SHALL BE IN ACCORDANCE W/DRAWINGS AND ANY/ALL APPLICABLE SPECIFICATIONS. IF ANY PROBLEMS ARE ENCOUNTERED BY COMPLYING WITH THESE REQUIREMENTS, CONTRACTOR SHALL NOTIFY MOBILITIE CM AS SOON AS POSSIBLE, AFTER THE DISCOVERY OF THE PROBLEMS, AND SHALL NOT PROCEED WITH THAT PORTION OF WORK, UNTIL THE MOBILITIE CM HAS DIRECTED THE CORRECTIVE ACTIONS TO BE TAKEN.
2. ELECTRICAL CONTRACTOR SHALL VISIT THE JOB SITE AND FAMILIARIZE THEMSELVES WITH ANY/ALL CONDITIONS AFFECTING ELECTRICAL AND COMMUNICATION INSTALLATION AND MAKE PROVISIONS AS TO THE COST THEREOF. ALL (E) CONDITIONS OF ELECTRICAL EQUIP., ETC., THAT ARE PART OF THE FINAL SYSTEM, SHALL BE VERIFIED BY THE CONTRACTOR, PRIOR TO THE SUBMITTING OF THEIR BID. FAILURE TO COMPLY WITH THIS PARAGRAPH WILL IN NO WAY RELIEVE CONTRACTOR OF PERFORMING ALL WORK NECESSARY FOR A COMPLETE AND WORKING SYSTEM.
3. ALL WORK SHALL BE PERFORMED IN ACCORDANCE WITH THE LATEST EDITION OF THE NEC, ALL CODES AND ORDINANCES OF THE LOCAL JURISDICTION, AND POWER & TELEPHONE COMPANIES HAVING JURISDICTION AND SHALL INCLUDE BUT ARE NOT BE LIMITED TO:
 - A) UL - UNDERWRITERS LABORATORIES
 - B) NEC - NATIONAL ELECTRICAL CODE
 - C) NEMA - NATIONAL ELECTRICAL MANUFACTURERS ASSOC.
 - D) OSHA - OCCUPATIONAL SAFETY AND HEALTH ACT
 - E) SBC - STANDARD BUILDING CODE
 - F) NFPA - NATIONAL FIRE PROTECTION AGENCY
 - G) ANSI - AMERICAN NATIONAL STANDARDS INSTITUTE
 - H) IEEE - INSTITUTE OF ELECTRICAL AND ELECTRONICS ENGINEERS
 - I) ASTM - AMERICAN SOCIETY FOR TESTING MATERIALS
4. REFER TO SITE PLANS AND ELEVATIONS FOR EXACT LOCATIONS OF ALL EQUIPMENT, AND CONFIRM WITH MOBILITIE CM ANY SIZES AND LOCATIONS WHEN NEEDED.
5. (E) SERVICES: CONTRACTOR SHALL NOT INTERRUPT (E) SERVICES WITHOUT WRITTEN PERMISSION OF THE OWNER.
6. CONTRACTOR SHALL CONFIRM WITH LOCAL UTILITY COMPANY ANY/ALL REQUIREMENTS SUCH AS THE: LUG SIZE RESTRICTIONS, CONDUIT ENTRY, SIZE OF TRANSFORMERS, SCHEDULED DOWNTIME FOR THE OWNERS' CONFIRMATION, ETC... ANY/ALL CONFLICTS SHALL BE BROUGHT TO THE ATTENTION OF THE MOBILITIE CM, PRIOR TO BEGINNING ANY WORK.
7. MINIMUM WIRE SIZE SHALL BE #12 AWG, NOT INCLUDING CONTROL WIRING, UNLESS NOTED OTHERWISE. ALL CONDUCTORS SHALL BE COPPER WITH THWN INSULATION, UNLESS OTHERWISE NOTED.
8. OUTLET BOXES SHALL BE PRESSED STEEL IN DRY LOCATIONS, CAST ALLOY WITH THREADED HUBS IN WET/DAMP LOCATIONS AND SPECIAL ENCLOSURES FOR OTHER CLASSIFIED AREAS.
9. IT IS NOT THE INTENT OF THESE PLANS TO SHOW EVERY MINOR DETAIL OF THE CONSTRUCTION. CONTRACTOR IS EXPECTED TO FURNISH AND INSTALL ALL ITEMS FOR A COMPLETE ELECTRICAL SYSTEM AND PROVIDE ALL REQUIREMENTS FOR THE EQUIPMENT TO BE PLACED IN PROPER WORKING ORDER.
10. ELECTRICAL SYSTEM SHALL BE AS COMPLETELY AND EFFECTIVELY GROUNDED, AS REQUIRED BY SPECIFICATIONS, SET FORTH BY APPLICANT.
11. ALL WORK SHALL BE PERFORMED BY A LICENSED ELECTRICAL CONTRACTOR IN A FIRST CLASS, WORKMANLIKE MANNER. THE COMPLETED SYSTEM SHALL BE FULLY FUNCTIONAL AND SHALL BE APPROVED BY THE MOBILITIE CM AND LOCAL JURISDICTION. ANY DEFICIENCIES SHALL BE CORRECTED BY AN ELECTRICAL CONTRACTOR AT THE SOLE COST OF THE CONTRACTOR.
12. ALL WORK SHALL BE COORDINATED WITH OTHER TRADES TO AVOID INTERFERENCE WITH THE PROGRESS OF CONSTRUCTION.



PRESCOTT COMMUNICATIONS INC.
10640 Sepulveda Blvd. Suite 1, Mission Hills, CA 91345
Phone No.: (818)958-2352 Fax No.: (818)958-9106

PROJECT NO: 9CAB008000
DRAWN BY: DK
CHECKED BY: JM

0	06/13/17	90% CONSTRUCTION
1	09/27/17	REVISED PER PG&E STANDARDS

IT IS A VIOLATION OF THE LAW FOR ANY PERSON, UNLESS THEY ARE ACTING UNDER THE DIRECTION OF A LICENSED PROFESSIONAL ENGINEER, TO ALTER THIS DOCUMENT

9CAB008000
OAKLAND, CA 94607
(E) 26'-3" STEEL LIGHT POLE

SHEET TITLE
GENERAL NOTES

SHEET NUMBER
GN-1

ELECTRICAL NOTES CONT'D

DIRECTORIES. ALL ELECTRICAL WIRING SHALL BE THE RESPONSIBILITY OF THE ELECTRICAL CONTRACTOR.

GROUNDING NOTES:

- 1. ALL HARDWARE SHALL BE 3-16 STAINLESS STEEL, INCLUDING LOCK WASHERS. COAT ALL SURFACES WITH AN ANTI-OXIDANT COMPOUND, AS SPECIFIED, BEFORE MATING. ALL HARDWARE SHALL BE STAINLESS STEEL 3/8 INCH DIAMETER OR LARGER.
- 2. FOR GROUND BOND TO STEEL ONLY: INSERT A CADMIUM FLAT WASHER BETWEEN LUG AND STEEL, COAT ALL SURFACES WITH AN ANTI-OXIDANT COMPOUND BEFORE MATING.
- 3. ALL STEEL CONDUIT SHALL BE BONDED AT BOTH ENDS WITH GROUNDING BUSHING.
- 4. ALL ELECTRICAL AND GROUNDING AT THE POLE SITE SHALL COMPLY WITH THE NATIONAL ELECTRICAL CODE (NEC), NATIONAL FIRE PROTECTION ASSOCIATION (NFPA) 780 (LATEST EDITION), AND MANUFACTURER.

5. ALL DETAILS ARE SHOWN IN GENERAL TERMS. ACTUAL GROUNDING INSTALLATION AND CONSTRUCTION MAY VARY DUE TO SITE SPECIFIC CONDITIONS.

6. GROUND ALL ANTENNA BASES, FRAMES, CABLE RUNS, AND OTHER METALLIC COMPONENTS USING #6 GROUND WIRES. FOLLOW ANTENNA AND BTS MANUFACTURER'S PRACTICES FOR GROUNDING REQUIREMENTS.

7. ALL GROUND CONNECTIONS SHALL BE #6 AWG, UNLESS OTHERWISE NOTED. ALL WIRES SHALL BE COPPER WITH THHN, UNLESS OTHERWISE NOTED. ALL GROUND WIRE SHALL BE SOLID TIN COATED OR STRANDED GREEN INSULATED WIRE.

8. CONTRACTOR TO VERIFY AND TEST GROUND TO SOURCE, 10 OHMS MAXIMUM. PROVIDE SUPPLEMENT GROUNDING RODS AS REQUIRED TO ACHIEVE SPECIFIED OHMS READING. GROUNDING AND OTHER OPTIONAL TESTING WILL BE WITNESSED BY THE MOBILITIE CM.

9. NOTIFY ARCHITECT/ENGINEER IF THERE ARE ANY DIFFICULTIES INSTALLING GROUNDING SYSTEM DUE TO SITE SOIL CONDITIONS.

10. ALL HORIZONTALLY RUN GROUNDING CONDUCTORS SHALL BE INSTALLED A MINIMUM OF 30" BELOW GRADE/ 6" BELOW FROST-LINE IN TRENCH, UNLESS OTHERWISE NOTED. BACK FILL SHALL BE COMPACTED AS REQUIRED BY ARCHITECT/ENGINEER.

11. ALL GROUND CONDUCTORS SHALL BE RUN AS STRAIGHT AND SHORT AS POSSIBLE, WITH A MINIMUM 12" BENDING RADIUS NOT LESS THAN 90 DEGREES.

12. ACCEPTABLE CONNECTIONS FOR GROUNDING SYSTEM SHALL BE:

- A. BURNDY, HY-GRADE U.L. LISTED CONNECTORS FOR OUTDOOR USE OR AS APPROVED BY APPLICANT PROJECT MANAGER.
- B. CADWELD, EXOTHERMIC WELDS (WELDED CONNECTIONS).
- C. ONE (1) HOLE TINNED COPPER COMPRESSION (LONG BARREL) FITTINGS.

13. ALL CRIMPED CONNECTIONS SHALL HAVE EMBOSSED MANUFACTURER'S DIEMARK VISIBLE AT THE CRIMP (RESULTING FROM USE OF PROPER CRIMPING DEVICES) AND WEATHER-PROOFED WITH HEAT SHRINK.

14. ALL CONNECTION HARDWARE SHALL BE TYPE 3-16 STAINLESS STEEL (NOT ATTRACTED TO MAGNETS).

15. ELECTRICAL SERVICE EQUIPMENT GROUNDING SHALL COMPLY WITH NEC, ARTICLE 250-82 AND SHALL BOND ALL (E) AND NEW GROUNDING ELECTRODES. NEW GROUNDING ELECTRODE SHALL INCLUDE BUT NOT LIMITED TO GROUND RODS.

TESTING AND EQUIPMENT TURN UP REQUIREMENTS:

- 1. RF CABLE, DATA CABLE, RADIO EQUIPMENT AND BACK HAUL EQUIPMENT TESTING WILL COMPLY WITH CURRENT INDUSTRY STANDARDS AND OR THOSE STANDARDS OF THE EQUIPMENT MANUFACTURER OR PROVIDED TO THE CONTRACTOR PRIOR TO TESTING.
- 2. CONTRACTOR WILL USE THE APPROPRIATE CALIBRATED TESTING EQUIPMENT IN THE TESTING OF RF CABLE, DATA CABLE, RADIO EQUIPMENT AND BACK HAUL EQUIPMENT THAT MEET INDUSTRY STANDARDS OF THE MANUFACTURER OR THOSE STANDARDS PROVIDED TO THE CONTRACTOR PRIOR TO TESTING.
- 3. CONTRACTOR TO VERIFY AND RECORD ALL TEST RESULTS AND PROVIDE THESE RESULTS WITHIN THE FINAL CLOSE OUT PACKAGE.
- 4. ALL PERSONNEL INVOLVED IN THE TESTING OF RF CABLE, DATA CABLE, RADIO EQUIPMENT AND BACK HAUL EQUIPMENT WILL BE REQUIRED TO HAVE BEEN TRAINED AND OR CERTIFIED IN THE PROPER TESTING OF RF CABLE, DATA CABLE, RADIO EQUIPMENT AND BACK HAUL EQUIPMENT.
- 5. ALL TEST RESULTS SHALL BE TIME STAMPED, RECORDED AND PRESENTED PRIOR TO ENERGIZING AND TURN UP OF ANY EQUIPMENT.
- 6. GPS EQUIPMENT IS NOT TO BE TESTED OR ATTACHED TO ANY CABLING DURING TESTING, DOING SO WILL DAMAGE THE GPS UNIT.
- 7. PRIOR TO TESTING IF THE CONTRACTOR HAS ANY QUESTIONS ABOUT THE TESTING PROCEDURES THEY ARE TO CALL AND OBTAIN ASSISTANCE FROM A QUALIFIED DESIGNATED TESTING REPRESENTATIVE.
- 8. EQUIPMENT IS NOT TO BE ENERGIZED UNTIL ALL TESTING HAS BEEN COMPLETED, APPROVED AND THE APPROPRIATE AUTHORITY HAS BEEN NOTIFIED AND GIVES APPROVAL TO ENERGIZE THE EQUIPMENT.

SITE WORK NOTES:

- 1. DO NOT EXCAVATE OR DISTURB BEYOND THE PROPERTY LINES OR LEASE LINES, UNLESS OTHERWISE NOTED.
- 2. SIZE, LOCATION AND TYPE OF ANY UNDERGROUND UTILITIES OR IMPROVEMENTS SHALL BE ACCURATELY NOTED AND PLACED ON AS-BUILT DRAWINGS BY GENERAL CONTRACTOR AND ISSUED TO ARCHITECT/ENGINEER AT COMPLETION OF PROJECT.
- 3. ALL (E) UTILITIES, FACILITIES, CONDITIONS AND THEIR DIMENSIONS SHOWN ON PLANS HAVE BEEN PLOTTED FROM AVAILABLE RECORDS. THE ENGINEER AND OWNER ASSUME NO RESPONSIBILITY WHATSOEVER AS TO THE SUFFICIENCY OR ACCURACY OF THE INFORMATION SHOWN ON THE PLANS OR THE MANNER OF THEIR REMOVAL OR ADJUSTMENT. CONTRACTOR SHALL BE RESPONSIBLE FOR DETERMINING EXACT LOCATION OF ALL (E) UTILITIES AND FACILITIES PRIOR TO START OF CONSTRUCTION. CONTRACTOR SHALL ALSO OBTAIN FROM EACH UTILITY COMPANY DETAILED INFORMATION RELATIVE TO WORKING SCHEDULES AND METHODS OF REMOVING OR ADJUSTING (E) UTILITIES.
- 4. CONTRACTOR SHALL VERIFY ALL (E) UTILITIES BOTH HORIZONTALLY AND VERTICALLY PRIOR TO START OF CONSTRUCTION. ANY DISCREPANCIES OR DOUBTS AS TO THE INTERPRETATION OF PLANS SHALL BE IMMEDIATELY REPORTED TO THE ARCHITECT/ENGINEER OR MOBILITIE CM FOR RESOLUTION AND INSTRUCTION, AND NO FURTHER WORK SHALL BE PERFORMED UNTIL THE DISCREPANCY IS CHECKED AND CORRECTED BY THE ARCHITECT/ENGINEER. FAILURE TO SECURE SUCH INSTRUCTION MEANS CONTRACTOR WILL HAVE WORKED AT THEIR OWN RISK AND EXPENSE. CONTRACTOR SHALL CALL LOCAL UTILITY LOCATE HOT LINE, SUCH AS 811, FOR UTILITY LOCATIONS A MINIMUM OF 48 HOURS PRIOR TO START OF CONSTRUCTION.
- 5. ALL NEW AND (E) UTILITY STRUCTURES ON SITE AND IN AREAS TO BE DISTURBED BY CONSTRUCTION SHALL BE ADJUSTED TO FINISH ELEVATIONS PRIOR TO FINAL INSPECTION OF WORK. ANY COST RELATED TO ADJUSTING (E) STRUCTURES SHALL BE BORNE SOLELY BY THE CONTRACTOR.
- 6. GRADING OF THE SITE WORK AREA IS TO BE SMOOTH AND CONTINUOUS IN SLOPE AND IS TO FEATHER INTO (E) GRADES AT THE GRADING LIMITS.
- 7. ALL TEMPORARY EXCAVATIONS FOR THE INSTALLATION OF FOUNDATIONS, UTILITIES, ETC., SHALL BE PROPERLY LAID BACK OR BRACED IN ACCORDANCE WITH CORRECT OCCUPATIONAL SAFETY AND HEALTH ADMINISTRATION (OSHA) REQUIREMENTS.

- 13. THE CORRECTION OF ANY DEFECTS SHALL BE COMPLETED BY THE CONTRACTOR WITHOUT ANY ADDITIONAL CHARGE AND SHALL INCLUDE THE REPLACEMENT OR THE REPAIR OF ANY OTHER PHASE OF THE INSTALLATION, WHICH MAY HAVE BEEN DAMAGED THEREIN.
- 14. CONTRACTOR SHALL PROVIDE AND INSTALL CONDUIT, CONDUCTORS, PULL WIRES, BOXES, COVER PLATES AND DEVICES FOR ALL OUTLETS AS INDICATED.
- 15. DITCHING AND BACK FILL: CONTRACTOR SHALL PROVIDE FOR ALL UNDERGROUND INSTALLED CONDUIT AND/OR CABLES INCLUDING EXCAVATION AND BACKFILLING AND COMPACTION. REFER TO NOTES AND REQUIREMENTS 'EXCAVATION, AND BACKFILLING.
- 16. MATERIALS, PRODUCTS AND EQUIPMENT, INCLUDING ALL COMPONENTS THEREOF, SHALL BE NEW AND SHALL APPEAR ON THE LIST OF U.L. APPROVED ITEMS AND SHALL MEET OR EXCEED THE REQUIREMENTS OF THE NEC, NEMA AND IECE.
- 17. CONTRACTOR SHALL SUBMIT SHOP DRAWINGS OR MANUFACTURER'S CATALOG INFORMATION OF ANY/ALL EQUIPMENT AND ALL OTHER ELECTRICAL ITEMS FOR APPROVAL BY THE MOBILITIE CM PRIOR TO INSTALLATION.
- 18. ANY CUTTING OR PATCHING DEEMED NECESSARY FOR ELECTRICAL WORK IS THE ELECTRICAL CONTRACTORS RESPONSIBILITY AND SHALL BE INCLUDED IN THE COST FOR WORK AND PERFORMED TO THE SATISFACTION OF THE MOBILITIE CM UPON FINAL ACCEPTANCE.
- 19. THE ELECTRICAL CONTRACTOR SHALL LABEL ALL PANELS WITH ONLY TYPEWRITTEN DIRECTORIES. ALL ELECTRICAL WIRING SHALL BE THE RESPONSIBILITY OF THE ELECTRICAL CONTRACTOR.
- 20. DISCONNECT SWITCHES SHALL BE UL-RATED, H.P. RATED HEAVY-DUTY, QUICK-MAKE AND QUICK-BREAK ENCLOSURES, AS REQUIRED BY EXPOSURE TYPE.
- 21. ALL CONNECTIONS SHALL BE MADE WITH A PROTECTIVE COATING OF AN ANTI-OXIDE COMPOUND KNOWN AS "NO-OXIDE A" BY DEARBORNE CHEMICAL CO. COAT ALL WIRE SURFACES BEFORE CONNECTING. EXPOSED COPPER SURFACES, INCLUDING GROUND BARS, SHALL BE TREATED - NO SUBSTITUTIONS.
- 22. RACEWAYS: CONDUIT SHALL BE SCHEDULE 80 PVC MEETING OR EXCEEDING NEMA TC2 - 1990. CONTRACTOR SHALL PLUG AND CAP EACH END OF SPARE AND EMPTY CONDUITS AND PROVIDE TWO SEPARATE PULL STRINGS - 200 LBS TEST POLYETHYLENE CORD. ALL CONDUIT BENDS SHALL BE A MINIMUM OF 2 FT. RADIUS. RGS CONDUITS WHEN SPECIFIED, SHALL MEET UL-6 FOR GALVANIZED STEEL. ALL FITTINGS SHALL BE SUITABLE FOR USE WITH THREADED RIGID CONDUIT. COAT ALL THREADS WITH 'BRITE ZINC' OR 'COLD GALV'.
- 23. SUPPORT OF ALL ELECTRICAL WORK SHALL BE AS REQUIRED BY NEC.
- 24. CONDUCTORS: CONTRACTOR SHALL USE 98% CONDUCTIVITY COPPER WITH TYPE THWN INSULATION, UNLESS OTHERWISE NOTED, 600 VOLT, COLOR CODED. USE SOLID CONDUCTORS FOR WIRE UP TO AND INCLUDING NO. 8 AWG. USE STRANDED CONDUCTORS FOR WIRE ABOVE NO. 8 AWG.
- 25. CONNECTORS FOR POWER CONDUCTORS: CONTRACTOR SHALL USE PRESSURE TYPE INSULATED TWIST-ON CONNECTORS FOR NO. 10 AWG AND SMALLER. USE SOLDERLESS MECHANICAL TERMINAL LUGS FOR NO. 8 AWG AND LARGER.
- 26. SERVICE: AS SPECIFIED ON THE DRAWINGS. OWNER OR OWNER'S AGENT WILL APPLY FOR POWER. ALL PROVISIONS FOR TEMPORARY POWER WILL BE OBTAINED BY THE CONTRACTOR.
- 27. TELEPHONE OR FIBER SERVICE: CONTRACTOR SHALL PROVIDE EMPTY CONDUITS WITH PULL STRINGS AS INDICATED ON DRAWINGS.
- 28. ELECTRICAL AND TELCO/FIBER RACEWAYS TO BE BURIED A MINIMUM DEPTH OF 30", UNLESS OTHERWISE NOTED.
- 29. CONTRACTOR SHALL PLACE 6" WIDE DETECTABLE WARNING TAPE AT A DEPTH OF 6" BELOW GROUND AND DIRECTLY ABOVE ELECTRICAL AND TELCO SERVICE CONDUITS. CAUTION TAPE TO READ "CAUTION BURIED ELECTRIC" OR "BURIED TELECOMM".
- 30. ALL BOLTS SHALL BE 3-16 STAINLESS STEEL
- 31. THE ELECTRICAL CONTRACTOR SHALL LABEL ALL PANELS WITH ONLY TYPEWRITTEN



PRESCOTT COMMUNICATIONS INC.
10640 Sepulveda Blvd. Suite 1, Mission Hills, CA 91345
Phone No.: (818)998-2352 Fax No.: (818)998-9186

PROJECT NO:	9CAB008000
DRAWN BY:	DK
CHECKED BY:	JM

0	06/13/17	90% CONSTRUCTION
1	09/27/17	REVISED PER PG&E STANDARDS

IT IS A VIOLATION OF THE LAW FOR ANY PERSON, UNLESS THEY ARE ACTING UNDER THE DIRECTION OF A LICENSED PROFESSIONAL ENGINEER, TO ALTER THIS DOCUMENT

9CAB008000
OAKLAND, CA 94607
(E) 26'-3" STEEL LIGHT POLE

SHEET TITLE
GENERAL NOTES

SHEET NUMBER
GN-2

SITE WORK NOTES CONT'D

- 8. STRUCTURAL FILLS SUPPORTING PAVEMENTS SHALL BE COMPACTED TO 95% OF MAXIMUM STANDARD PROCTOR DRY DENSITY, UNLESS OTHERWISE NOTED.
- 9. NEW GRADES NOT IN BUILDING AND DRIVEWAY IMPROVEMENT AREA TO BE ACHIEVED BY FILLING WITH APPROVED CLEAN FILL AND COMPACTED TO 95% OF STANDARD PROCTOR DENSITY.
- 10. ALL FILL SHALL BE PLACED IN UNIFORM LIFTS. THE LIFTS THICKNESS SHOULD NOT EXCEED THAT WHICH CAN BE PROPERLY COMPACTED THROUGHOUT ITS ENTIRE DEPTH WITH THE EQUIPMENT AVAILABLE.
- 11. ANY FILLS PLACED ON (E) SLOPES THAT ARE STEEPER THAN 10 HORIZONTAL TO 1 VERTICAL SHALL BE PROPERLY BENCHED INTO THE (E) SLOPE AS DIRECTED BY A GEOTECHNICAL ENGINEER.
- 12. CONTRACTOR SHALL CLEAN ENTIRE SITE AFTER CONSTRUCTION SUCH THAT NO DEBRIS, PAPER, TRASH, WEEDS, BRUSH, EXCESS FILL, OR ANY OTHER DEPOSITS WILL REMAIN. ALL MATERIALS COLLECTED DURING CLEANING OPERATIONS SHALL BE DISPOSED OF OFF-SITE BY THE GENERAL CONTRACTOR.
- 13. ALL TREES AND SHRUBS WHICH ARE NOT IN DIRECT CONFLICT WITH THE IMPROVEMENTS SHALL BE PROTECTED BY THE GENERAL CONTRACTOR.
- 14. ALL SITE WORK SHALL BE CAREFULLY COORDINATED BY GENERAL CONTRACTOR WITH LOCAL UTILITY COMPANY, TELEPHONE COMPANY, AND ANY OTHER UTILITY COMPANIES HAVING JURISDICTION OVER THIS LOCATION.

ENVIRONMENTAL NOTES:

- 1. ALL WORK PERFORMED SHALL BE DONE IN ACCORDANCE WITH ISSUED PERMITS. THE CONTRACTOR SHALL BE RESPONSIBLE FOR PAYMENT OF FINES AND PROPER CLEAN UP FOR AREAS IN VIOLATION.
- 2. CONTRACTOR SHALL BE RESPONSIBLE FOR CONSTRUCTION AND MAINTENANCE OF EROSION AND SEDIMENTATION CONTROLS DURING CONSTRUCTION FOR PROTECTION OF ADJACENT PROPERTIES, ROADWAYS AND WATERWAYS. ALL EROSION AND SEDIMENTATION CONTROLS SHALL BE MAINTAINED IN PLACE THROUGH FINAL JURISDICTIONAL INSPECTION & RELEASE OF SITE.
- 3. CONTRACTOR SHALL INSTALL/CONSTRUCT ALL NECESSARY SEDIMENT/SILT CONTROL FENCING AND PROTECTIVE MEASURES AS REQUIRED BY THE LOCAL JURISDICTION WITHIN THE LIMITS OF SITE DISTURBANCE PRIOR TO CONSTRUCTION.
- 4. NO SEDIMENT SHALL BE ALLOWED TO EXIT THE PROPERTY. THE CONTRACTOR IS RESPONSIBLE FOR TAKING ADEQUATE MEASURES FOR CONTROLLING EROSION. ADDITIONAL SEDIMENT CONTROL FENCING MAY BE REQUIRED IN ANY AREAS SUBJECT TO EROSION.
- 5. THE CONTRACTOR IS RESPONSIBLE FOR MAINTAINING POSITIVE DRAINAGE ON THE SITE AT ALL TIMES WITH SILT AND EROSION CONTROL MEASURES MAINTAINED ON THE DOWNSTREAM SIDE OF SITE DRAINAGE. ANY DAMAGE TO ADJACENT PROPERTY AS A RESULT OF EROSION WILL BE CORRECTED AT THE CONTRACTORS EXPENSE.
- 6. CONTRACTOR SHALL BE RESPONSIBLE FOR DAILY INSPECTIONS AND ANY REPAIRS OF ALL SEDIMENT CONTROL MEASURES INCLUDING SEDIMENT REMOVAL AS NECESSARY.
- 7. CLEARING OF VEGETATION AND TREE REMOVAL SHALL BE ONLY AS PERMITTED AND BE HELD TO A MINIMUM. ONLY TREES NECESSARY FOR CONSTRUCTION OF THE FACILITIES SHALL BE REMOVED.
- 8. SEEDING AND MULCHING AND/OR SODDING OF THE SITE WILL BE ACCOMPLISHED AS SOON AS POSSIBLE AFTER COMPLETION OF THE PROJECT FACILITIES AFFECTING LAND DISTURBANCE.
- 9. CONTRACTOR SHALL PROVIDE ALL EROSION AND SEDIMENTATION CONTROL MEASURES AS REQUIRED BY LOCAL, COUNTY AND STATE CODES AND ORDINANCES TO PROTECT EMBANKMENTS FROM SOIL LOSS AND TO PREVENT ACCUMULATION OF SOIL AND SILT IN STREAMS AND DRAINAGE PATHS LEAVING THE CONSTRUCTION AREA. THIS MAY INCLUDE, BUT IS NOT LIMITED TO SUCH MEASURES AS SILT FENCES, STRAW BALE SEDIMENT BARRIERS, AND CHECK DAMS.
- 10. RIP RAP OF SIZES INDICATED SHALL CONSIST OF CLEAN, HARD, SOUND, DURABLE, UNIFORM IN QUALITY STONE FREE OF ANY DETRIMENTAL QUANTITY OF SOFT, FRIABLE, THIN, ELONGATED OR LAMINATED PIECES, DISINTEGRATED MATERIAL, ORGANIC MATTER, OIL, ALKALI, OR OTHER DELETERIOUS SUBSTANCES.

- 11. GC TO PLACE FILTER MATERIAL AT ALL CATCH BASINS ADJACENT TO CONSTRUCTION SITE TO PREVENT SOLID WASTE CONTAMINATION FROM ENTERING SEWER SYSTEM

FOUNDATION, EXCAVATION AND BACKFILL NOTES:

- 1. ALL FINAL GRADED SLOPES SHALL BE A MAXIMUM OF 3 HORIZONTAL TO 1 VERTICAL, UNLESS OTHERWISE NOTED.
- 2. BACKFILL OF POLE SHALL BE PERFORMED IN ONE OF THREE OPTIONS:
 - A. PREFERRED: RAINBOW INDUSTRIES POLE SETTING FOAM SHALL BE INSTALLED PER MANUFACTURER SPECS. FOAM SHALL ALWAYS BE USED FOR POOR SOILS.
 - B. SECONDARY: CONCRETE (REQUIRES MOBILITIE CM WRITTEN APPROVAL) ALLOWABLE SOIL PRESSURE = 2000 PSF (ASSUMED). NON-NATIVE SOILS SHALL BE REMOVE FROM BORE AREA AND SHALL NOT BE REUSED FOR BACKFILL
- 3. ALL EXCAVATIONS PREPARED FOR PLACEMENT OF CONCRETE SHALL BE OF UNDISTURBED SOILS, SUBSTANTIALLY HORIZONTAL AND FREE FROM ANY LOOSE, UNSUITABLE MATERIAL OR FROZEN SOILS, AND WITHOUT THE PRESENCE OF POUNDING WATER. DEWATERING FOR EXCESS GROUND WATER SHALL BE PROVIDED WHEN REQUIRED. COMPACTION OF SOILS UNDER CONCRETE PAD FOUNDATIONS SHALL NOT BE LESS THAN 95% OF THE MODIFIED PROCTOR MAXIMUM DRY DENSITY FOR THE SOIL IN ACCORDANCE WITH ASTM D1557.
- 4. CONCRETE FOUNDATIONS SHALL NOT BE PLACED ON ORGANIC OR UNSUITABLE MATERIAL. IF ADEQUATE BEARING CAPACITY IS NOT ACHIEVED AT THE DESIGNED EXCAVATION DEPTH, THE UNSATISFACTORY SOIL SHALL BE EXCAVATED TO ITS FULL DEPTH AND EITHER BE REPLACED WITH MECHANICALLY COMPACTED GRANULAR MATERIAL OR THE EXCAVATION SHALL BE FILLED WITH CONCRETE OF THE SAME TYPE SPECIFIED FOR THE FOUNDATION. CRUSHED STONE MAY BE USED TO STABILIZE THE BOTTOM OF THE EXCAVATION. ANY STONE SUB BASE MATERIAL, IF USED, SHALL NOT SUBSTITUTE FOR REQUIRED THICKNESS OF CONCRETE.
- 5. ALL EXCAVATIONS SHALL BE CLEAN OF UNSUITABLE MATERIAL SUCH AS VEGETATION, TRASH, DEBRIS, AND SO FORTH PRIOR TO BACK FILLING. BACK FILL SHALL CONSIST OF APPROVED MATERIALS SUCH AS EARTH, LOAM, SANDY CLAY, SAND AND GRAVEL, OR SOFT SHALE, FREE FROM CLOUDS OR LARGE STONES OVER 2 1/2" MAX DIMENSIONS. ALL BACK FILL SHALL BE PLACED IN COMPACTED LAYERS.
- 6. ALL FILL MATERIALS AND FOUNDATION BACK FILL SHALL BE PLACED IN MAXIMUM 6" THICK LIFTS BEFORE COMPACTION. EACH LIFT SHALL BE WETTED IF REQUIRED AND COMPACTED TO NOT LESS THAN 95% OF THE MODIFIED PROCTOR MAXIMUM DRY DENSITY FOR SOIL IN ACCORDANCE WITH ASTM D1557.
- 7. NEWLY PLACED CONCRETE FOUNDATIONS SHALL CURE A MINIMUM OF 72 HRS PRIOR TO BACK FILLING.
- 8. FINISHED GRADING SHALL BE SLOPED TO PROVIDE POSITIVE DRAINAGE AND PREVENT STANDING WATER. THE FINAL (FINISH) ELEVATION OF SLAB FOUNDATIONS SHALL SLOPE AWAY IN ALL DIRECTIONS FROM THE CENTER. FINISH GRADE OF CONCRETE PADS SHALL BE A MAXIMUM OF 4 INCHES ABOVE FINAL FINISH GRADE ELEVATIONS. PROVIDE SURFACE FILL GRAVEL TO ESTABLISH SPECIFIED ELEVATIONS WHERE REQUIRED.
- 9. NEWLY GRADED GRAVEL SURFACE AREAS TO RECEIVE GRAVEL SHALL BE COVERED WITH GEOTEXTILE FABRIC TYPE: TYPAR-3401 AS MANUFACTURED BY TYPAR GEOSYNTHETICS OR AN APPROVED EQUIVALENT, SHOWN ON PLANS. THE GEOTEXTILE FABRIC SHALL BE BLACK IN COLOR TO CONTROL THE RECURRENCE OF VEGETATIVE GROWTH AND EXTEND TO WITHIN 1 FOOT OUTSIDE THE SITE FENCING OR ELECTRICAL GROUNDING SYSTEM PERIMETER WHICH EVER IS GREATER. ALL FABRIC SHALL BE COVERED WITH A MINIMUM OF 4" DEEP COMPACTED STONE OR GRAVEL AS SPECIFIED. I.E. FDOT TYPE NO. 57 FOR FENCED COMPOUND; FDOT TYPE NO. 67 FOR ACCESS DRIVE AREA, UNLESS OTHERWISE NOTED.
- 10. IN ALL AREAS TO RECEIVE FILL: REMOVE ALL VEGETATION, TOPSOIL, DEBRIS, WET AND UNSATISFACTORY SOIL MATERIALS, OBSTRUCTIONS, AND DELETERIOUS MATERIALS FROM GROUND SURFACE. PLOW STRIP OR BREAK UP SLOPED SURFACES STEEPER THAN 1 VERTICAL TO 4 HORIZONTAL SUCH THAT FILL MATERIAL WILL BIND WITH (E)/PREPARED SOIL SURFACE.
- 11. WHEN SUB GRADE OR PREPARED GROUND SURFACE HAS A DENSITY LESS THAN THAT REQUIRED FOR THE FILL MATERIAL, SCARIFY THE GROUND SURFACE TO DEPTH REQUIRED, PULVERIZE, MOISTURE-CONDITION AND/OR AERATE THE SOILS AND RECOMPACT TO THE REQUIRED DENSITY PRIOR TO PLACEMENT OF FILLS.
- 12. IN AREAS WHICH (E) GRAVEL SURFACING IS REMOVED OR DISTURBED DURING CONSTRUCTION OPERATIONS, REPLACE GRAVEL SURFACING TO MATCH ADJACENT

GRAVEL SURFACING AND RESTORED TO THE SAME THICKNESS AND COMPACTION AS SPECIFIED. ALL RESTORED GRAVEL SURFACING SHALL BE FREE FROM CORRUGATIONS AND WAVES.

- 13. (E) GRAVEL SURFACING MAY NOT BE REUSED.
- 14. GRAVEL SUB SURFACE SHALL BE PREPARED TO REQUIRED COMPACTION AND SUB GRADE ELEVATIONS BEFORE GRAVEL SURFACING IS PLACED AND/OR RESTORED. ANY LOOSE OR DISTURBED MATERIALS SHALL BE THOROUGHLY COMPACTED AND ANY DEPRESSIONS IN THE SUB GRADE SHALL BE FILLED AND COMPACTED WITH APPROVED SELECTED MATERIAL. GRAVEL SURFACING MATERIAL SHALL NOT BE USED FOR FILLING DEPRESSIONS IN THE SUB GRADE.
- 15. PROTECT (E) GRAVEL SURFACING AND SUB GRADE IN AREAS WHERE EQUIPMENT LOADS WILL OPERATE. USE PLANKING 'MATTS' OR OTHER SUITABLE PROTECTION DESIGNED TO SPREAD EQUIPMENT LOADS AS MAY BE NECESSARY. REPAIR ANY DAMAGE TO (E) GRAVEL SURFACING OR SUB GRADE WHERE SUCH DAMAGE IS DUE TO THE CONTRACTORS OPERATIONS.
- 16. DAMAGE TO (E) STRUCTURES AND/OR UTILITIES RESULTING FROM CONTRACTORS NEGLIGENCE SHALL BE REPAIRED AND/ OR REPLACED TO THE OWNERS SATISFACTION AT NO ADDITIONAL COST TO THE CONTRACT.
- 17. ALL SUITABLE BORROW MATERIAL FOR BACK FILL OF THE SITE SHALL BE INCLUDED IN THE BID. EXCESS TOPSOIL AND UNSUITABLE MATERIAL SHALL BE DISPOSED OF OFF SITE AT LOCATIONS APPROVED BY GOVERNING AGENCIES AT NO ADDITIONAL COST TO THE CONTRACT.

MISCELLANEOUS MATERIALS

FROM TIME TO TIME IT MAY BE NECESSARY TO MAKE MINOR ADJUSTMENTS TO ACCOMMODATE, LEVEL OR SPACE ANTENNA MOUNTS AND EQUIPMENT. EXAMPLE ADDING A WASHER OR SHIM TO LEVEL OUT A BRACKET OR MOUNT TO MEET SPECIFICATIONS. HAVING TO OFFSET OR SPACE A BRACKET OR MOUNT DUE TO FLANGES AND OR OTHER SMALL PROTRUSIONS ON A POLE TOP ASSEMBLY. ANY MATERIALS, NUTS, BOLTS, SHIMS OR SPACERS USED TO ACCOMMODATE ADJUSTMENTS TO ANTENNA MOUNTS AND EQUIPMENT MUST BE PERMANENTLY AFFIXED, BOLTED TO THE MOUNT, BRACKET OR POLE; AS NEVER TO BECOME A FALL HAZARD. ALL MATERIALS NUTS, BOLTS, SHIMS OR SPACERS USED IN MINOR ADJUSTMENTS, MUST BE EITHER STAINLESS STEEL OR GALVANIZED; HALF WASHERS ARE PROHIBITED. ANY MINOR ADJUSTMENTS TO ACCOMMODATE ANTENNA MOUNTS AND EQUIPMENT SHOULD BE DONE IN A PROFESSIONAL MANOR WITH SAFETY AND AESTHETICS IN MIND. SHOULD YOU HAVE ANY QUESTIONS CONTACT YOUR ASSIGNED CONSTRUCTION PROJECT MANAGER OR ENGINEER FOR GUIDANCE.



PRESCOTT COMMUNICATIONS INC.
10640 Sepulveda Blvd. Suite 1, Mission Hills, CA 91345
Phone No.: (818)898-2352 Fax No.: (818)898-0186

PROJECT NO: 9CAB008000

DRAWN BY: DK

CHECKED BY: JM

0	06/13/17	90% CONSTRUCTION
1	09/27/17	REVISED PER PG&E STANDARDS

IT IS A VIOLATION OF THE LAW FOR ANY PERSON, UNLESS THEY ARE ACTING UNDER THE DIRECTION OF A LICENSED PROFESSIONAL ENGINEER, TO ALTER THIS DOCUMENT

9CAB008000
OAKLAND, CA 94607
(E) 26'-3" STEEL LIGHT POLE

SHEET TITLE
GENERAL NOTES

SHEET NUMBER
GN-3

DURATION NOTES

1. "ROAD WORK AHEAD" and the "BE PREPARED TO STOP" signs may be omitted if all of the following conditions are met:
 - a. Work operations are 60 minutes or less
 - b. Speed limit is 45 MPH or less
 - c. No sight obstructions to vehicles approaching the work area for a distance equal to the buffer space
 - d. Vehicles in the work area have high-intensity, rotating, flashing, oscillating, or strobe lights operating
 - e. Volume and complexity of the roadway has been considered

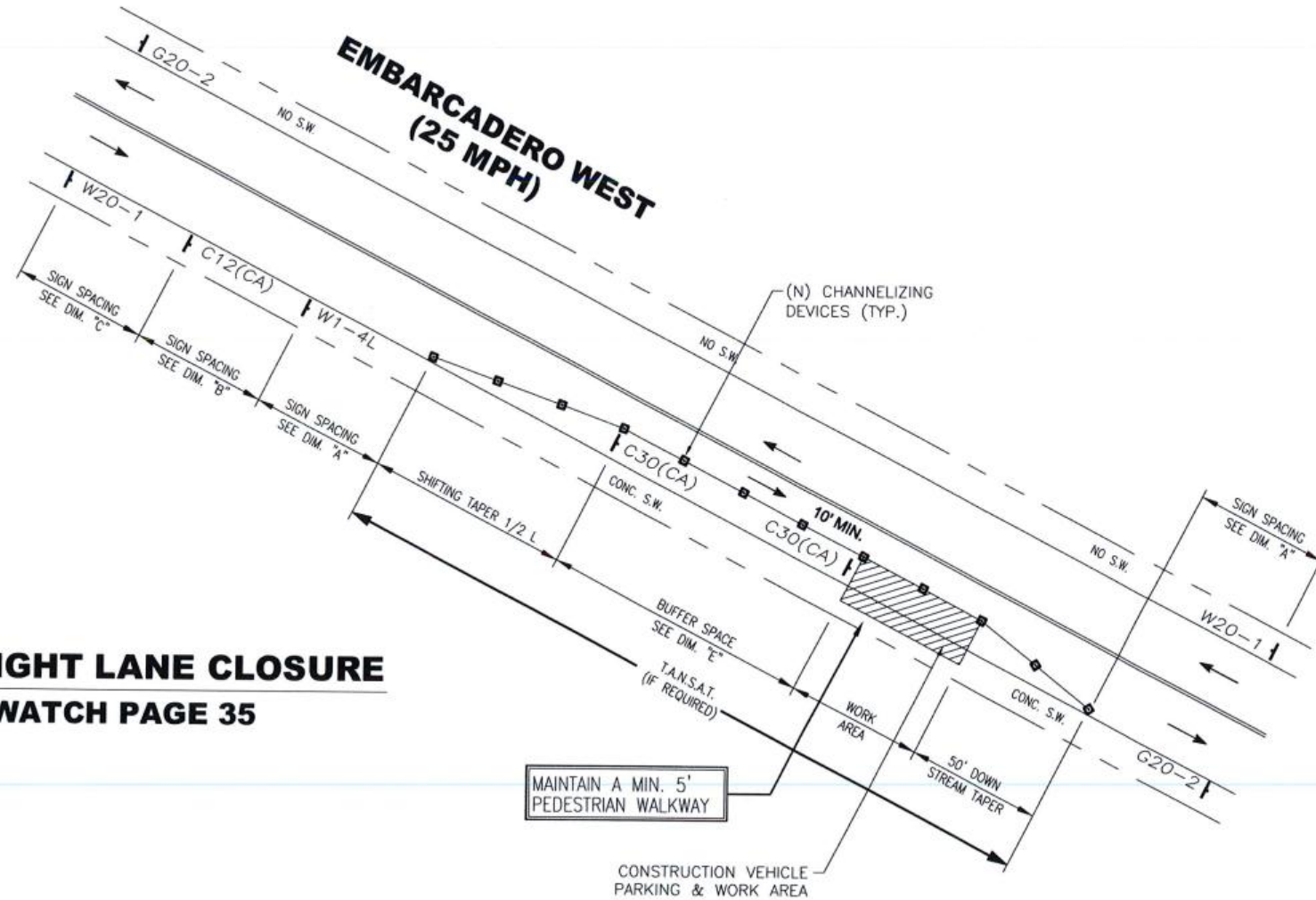
TRAFFIC CONTROL PLANS

GENERAL NOTES

1. ALL WORK AND MATERIALS SHALL COMPLY WITH THE WORK AREA TRAFFIC CONTROL HANDBOOK (WATCH) 2016 EDITION.
2. ALL STRIPING AND MARKINGS SHALL CONFORM TO THE STATE OF CALIFORNIA, STANDARD PLANS AND SPECIFICATIONS, INCLUDING STANDARD PLAN A-20, DETAILS.
3. THE CONTRACTOR SHALL PROVIDE FOR ACCESS TO ALL ADJACENT PROPERTIES.
4. FLASHING YELLOW BEACONS, TYPE "B", SHALL BE USED ON ALL W20-1 SIGNS AND ON ALL TYPE III BARRICADES GUARDING THE WORK AREA OVERNIGHT.
5. ALL SIGNS SHALL BE REFLECTORIZED AND STANDARD SIZE.
6. ALL TUBULAR DELINEATORS AND CONES SHALL BE 28" MINIMUM HEIGHT, REFLECTORIZED AND MAINTAINED ERECT IN THE INDICATED POSITION AT ALL TIMES, AND SHALL BE REPAIRED, REPLACED, OR CLEANED AS NECESSARY TO PRESERVE THEIR APPEARANCE AND CONTINUITY, AND SHALL INCLUDE A 12" HIGH-INTENSITY REFLECTORIZED SLEEVE, IF USED DURING NIGHT-TIME HOURS.
7. THE CONTRACTOR SHALL MAINTAIN, ON A CONTINUOUS BASIS, ALL SIGNS, DELINEATORS, BARRICADES, ETC., TO ENSURE PROPER FLOW AND SAFETY OF TRAFFIC DURING CONSTRUCTION.
8. THE CONTRACTOR SHALL HAVE ALL SIGNS, DELINEATORS, BARRICADES, ETC., PROPERLY INSTALLED PRIOR TO COMMENCING CONSTRUCTION.
9. CONSTRUCTION OPERATIONS SHALL BE CONDUCTED IN SUCH A MANNER AS TO CAUSE AS LITTLE INCONVENIENCE AS POSSIBLE TO ABUTTING PROPERTY OWNERS.
10. ADDITIONAL TRAFFIC CONTROLS, TRAFFIC SIGNS, OR BARRICADING MAY BE REQUIRED IN THE FIELD. THE CONTRACTOR SHALL BE RESPONSIBLE FOR THE PLACEMENT OF ANY ADDITIONAL DEVICES NECESSARY TO ASSURE SAFETY TO THE PUBLIC AT ALL TIMES DURING CONSTRUCTION.
11. EXACT LOCATION AND TYPE OF CONSTRUCTION SIGNS SHALL BE DIRECTED BY THE ENGINEER BASED UPON CONSTRUCTION CONDITIONS.
12. MOVE DELINEATORS AND/OR CONES TO SIDEWALK DURING NON-WORKING HOURS. REMOVE BARRICADES ETC. FROM TRAVEL LANE.
13. REMOVE OR TURN OFF SIGNS DURING NON-WORK HOURS.
14. ALL CONFLICTING LINES, EXISTING CURB PAINT, AND MARKINGS SHALL BE REMOVED BY WET SANDBLASTING OR OTHER APPROVED METHOD PRIOR TO INSTALLATION OF NEW/TEMPORARY STRIPING. ALL CONFLICTING RAISED PAVEMENT MARKERS SHALL BE REMOVED. PAVEMENT THAT IS DAMAGED DUE TO REMOVAL OF MARKERS SHALL BE REPAIRED TO THE SATISFACTION OF THE CITY ENGINEER AND/OR STATE INSPECTOR.

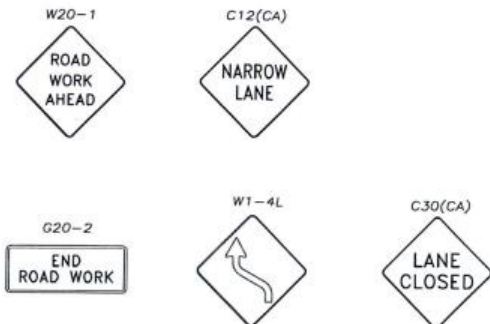
NOTES

1. INGRESS AND EGRESS MUST BE PROVIDED TO ALL DRIVEWAYS AT ANY TIME, USE BULL NOSE TO TERMINATE TAPER AT DRIVEWAYS.
2. STEEL PLATES TO BE USED TO MAINTAIN TRAFFIC FLOW ON ALL DRIVEWAYS.



PARTIAL RIGHT LANE CLOSURE 2016 WATCH PAGE 35

SIGNS



* ADDITIONAL SIGNS MAY BE REQUIRED TO ACCOMMODATE ACTUAL FIELD CONDITIONS.

LEGEND

- CHANNELIZING DEVICE
- | SIGN
- ▨ WORK SPACE
- 🚧 FLAGGER
- ➔ DIRECTION OF TRAFFIC

TEMPORARY TRAFFIC CONTROL PLAN DIMENSION GUIDELINES

SPEED MPH (2)	Dimension A/B/C ADVANCE WARNING SIGN SPACING (2)	Dimension L MERGING TAPER LENGTH	Dimension L/2 SHIFTING TAPER LENGTH	Dimension L/3 MINIMUM SHOULDER TAPER	Dimension "E" BUFFER SPACE (4-A) and FLAGGER STATION STOPPING SIGHT DISTANCE (4-B)			MAXIMUM CHANNELIZER TAPER SPACING (3)	MAXIMUM CHANNELIZER TANGENT SPACING (3)	MAXIMUM CHANNELIZER CONFLICT SPACING (6)
					(2%)	(3%)	(4%)			
25	100	125	65	45	(155)	(160)	(165)	25	50	12
30	250	180	90	60	(200)	(205)	(215)	30	60	15
35	250	245	125	85	(250)	(260)	(275)	35	70	17
40	250	320	170	110	(305)	(315)	(335)	40	80	20
45	350	540	270	180	(360)	(380)	(400)	45	90	22
50	350	600	300	200	(425)	(450)	(475)	50	100	25
55	500	660	330	220	(495)	(520)	(555)	50	100	25
60	500	720	360	240	(570)	(600)	(640)	50	100	25
65	500	780	390	260	(645)	(685)	(730)	50	100	25

- (1) Work on Freeways and Expressways shall meet the Caltrans Standard Plans and Standard Specification requirements.
- (2) Posted Speed or observed operating speed (whichever is greater).
- (3) Channelizer spacing shall be reduced by half at areas where work is taking place on curves or areas of head-on conflict.
- (4-A) Buffer space may be inserted in low-speed urban areas and should be inserted in high-speed urban and rural areas.
- (4-B) The Stopping Sight Distance should enable Road Users to see the Primary Flagger Station and safely stop.
- (5) Sign spacing in rural areas should be 500 ft.
- (6) ** Table 6F-101(CA)

TRAFFIC CONTROL PLAN

SCALE: NOT TO SCALE

1



PRESCOTT COMMUNICATIONS INC.

10640 Sepulveda Blvd. Suite 1, Mission Hills, CA 91345
Phone No.: (818)998-2352 Fax No.: (818)998-9166

PROJECT NO: 9CAB008000

DRAWN BY: DK

CHECKED BY: JM

0	06/13/17	90% CONSTRUCTION
1	09/27/17	REVISED PER PG&E STANDARDS

IT IS A VIOLATION OF THE LAW FOR ANY PERSON, UNLESS THEY ARE ACTING UNDER THE DIRECTION OF A LICENSED PROFESSIONAL ENGINEER, TO ALTER THIS DOCUMENT

9CAB008000
OAKLAND, CA 94607
(E) 26'-3" STEEL LIGHT POLE

SHEET TITLE
TRAFFIC CONTROL PLAN

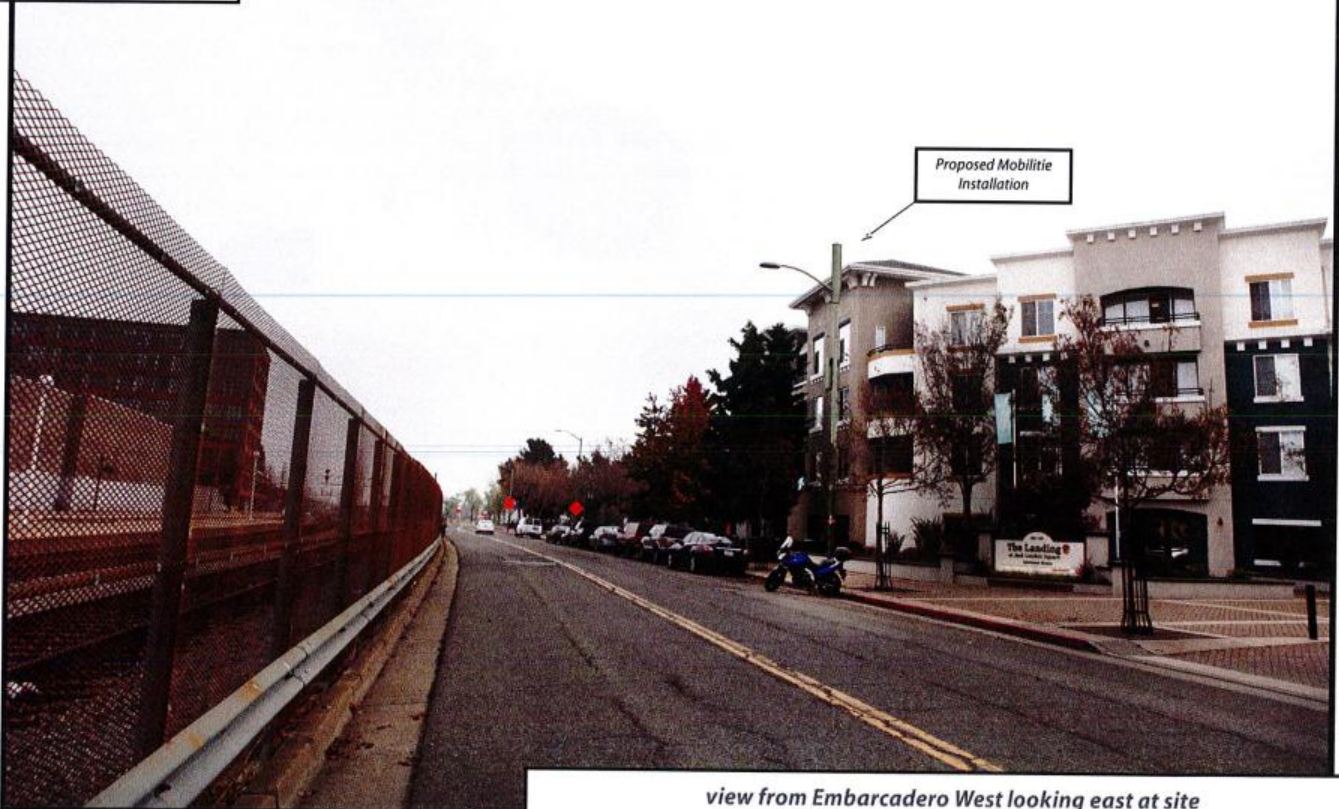
SHEET NUMBER
TC-1

Existing

Attachment D



Proposed



view from Embarcadero West looking east at site

view from Embarcadero West looking west at site



9CAB008000A/SF90XS986A
Embarcadero W & Jackson Street, Oakland, CA
Photosims Produced on 6-26-2017

Existing

Proposed



Proposed Mobilitie
Installation

Alternative Site Analysis

Proposed Small Cell Wireless Facility

Applicant: Mobilitie, LLC

Site ID: 9CAB008000/SF90XS986A

Nearest Site Address: Public Right of Way near 99 Embarcadero West, Oakland, CA 94607

Latitude/Longitude: 37.792802, -122.270759

Mobilitie considered alternative sites on other street lights and utility poles in this area, but found them to not to be as desirable when taking into consideration coverage goals, constructability, geographic topography of the surrounding area, and potential visual impact in the surrounding area. The proposed location is desirable because of the limited obstructions in the area, allowing our antenna to effectively propagate a signal. Furthermore, the proposed location is the optimal solution for providing maximum coverage to the surrounding area identified. Additionally, by locating on an existing street light with equipment concealed, visual impact in the surrounding area is minimized.

Mobilitie is a privately held, CLEC (Competitive Local Exchange Carrier) regulated by the California Public Utilities Commission (CPUC) to provide telephone related services. By proposing this location on an existing street light in the public right of way, Mobilitie is proposing an appropriate co-location to existing infrastructure according to our rights under the CPUC.

The alternative locations that Mobilitie considered include, but are not limited to, the sites listed below:

Alternate 1 (37.793276, -122.270611) / At the intersection of Jackson Street and 2nd Street: This wooden utility pole is located approximately 155 ft. north of our proposal. The existence of a power riser running up this pole precludes it from being used there because there is not enough usable space on the pole for our facility.

Alternate 2 (37.793670, -122.270493) / At the intersection of Jackson Street and 2nd Street: This wooden utility pole is located approximately 300 ft. north of our proposal. The existence of a power riser running up this pole precludes it from being used there because there is not enough usable space on the pole for our facility. Furthermore, this pole lies outside of the search ring and will not provide the coverage needs for the area.

Attachment E

Radio Frequency- Electromagnetic Energy-EME Measurements & Compliance Report

Site ID: 9CAB008000
Site Name: 9CAB008000
Market/Region: California
Address: EMBARCADERO WEST W. OF OAK ST.
OAKLAND, CA 94607
Latitude: 37.792802
Longitude: -122.270759
Site Type: STEEL LIGHT POLE

Compliance Status:

Proposed equipment at the site is compliant with FCC guidelines for General Population environments

Prepared for:

Mobilitie, LLC
2220 University Drive,
Newport Beach, CA 92660

By
ATG LLC

Date:09/06/2017

Attachment F



TABLE OF CONTENT

1 EXECUTIVE SUMMARY	3
2 MAXIMUM PERMISSIBLE EXPOSURE (MPE) MODELING RESULTS FOR PROPOSED SITE	3
3 ANTENNA INVENTORY	4
4 MODELING SUMMARY AND ASSUMPTIONS	4
4.1 GENERAL MODEL ASSUMPTIONS	4
5 PREPARER CERTIFICATION	5
APPENDIX A.....	6
FEDERAL COMMUNICATIONS COMMISSION (FCC) REQUIREMENTS.....	6
APPENDIX B.....	9
GLOSSARY OF TERMS.....	9
APPENDIX C.....	10
ROOFVIEW EXPORT FILE.....	10

1 Executive Summary

Purpose of Report

ATG LLC's RF Engineering has conducted radio frequency electromagnetic energy (RF-EME) modeling for Mobilitie LLC's site 9CAB008000 located on Embarcadero West between Madison St and Alice St., Oakland, CA to determine RF-EME exposure levels from the carrier's proposed wireless communications equipment.

The Federal Communications Commission (FCC) has developed Maximum Permissible Exposure (MPE) limits for general public and occupational exposures to RF-EME. This report summarizes the results of RF-EME modeling in relation to relevant FCC compliance standards for limiting human exposure to RF-EME. The details of FCC defined exposure limits are provided in Appendix A of this report.

Analysis results included in this report are based on drawings dated Jun 13th, 2017.

Statement of Compliance

Predictive modeling conducted using the original equipment manufacturers (OEMs) specifications for radio and antenna performance along with the supplied construction drawings dated Jun 13th, 2017, indicate there will be no exposure due to the carrier's proposed equipment on accessible ground-level walking surface at this site that exceeds the FCC's general public exposure limits.

Proposed equipment at the site is compliant with FCC guidelines for general population environments.

2 Maximum Permissible Exposure (MPE) Modeling Results for Proposed Site

The predictive modeling was conducted using the RoofView 5.0 suite of analysis tools. The modeling was conducted with the antennas operating at 100% capacity, all antenna channels transmitting simultaneously and the radio transmitters operating at full power. Obstructions (trees, buildings etc.) that would normally attenuate the signal are not taken into account. As a result, the predicted signal levels are more conservative (higher) than the actual signal levels would be during normal operations. The modeling calculations were made for an area 40'x 40' area with the equipment at the center.

Table 1: Maximum Permissible Exposure- Summary

Location	% of FCC General Public/Uncontrolled Exposure Limit	% of FCC Occupational/Controlled Exposure Limit	Power Density (mW/cm ²)	Compliance Status
6ft above ground level	2.6	0.52	0.026	Compliant

3 Antenna Inventory

The Antenna Inventory shows all transmitting antennas on the site (see Table 2). This inventory was used by ATG to perform the software modeling of RF emissions. The inventory conforms with the submitted construction drawings which identifies the proposed mounting location of each antenna at the site. The exposure level is calculated for a person of height 6ft standing right below the devices at ground level.

Table 2: Antenna Inventory

Antenna ID	Carrier/Operator	Antenna Type	Frequency (MHz)	Technology	ERP (W)	Gain dBd	Mfg.	Model	Aperture (ft.)	Transmitter count	Horizontal Beam Width (deg)	Z (6 ft. above Ground)
1	Mobilite	Omni	2496	LTE	172.58	6.35	Alpha Wireless	AW3477-S	2.56	2	360	21.5
2	Mobilite	LTE Relay BH	2496	LTE	1.93	9.85	Airspan	iR460	1.1	1	35	10.5

The table below details the operating power and Effective Radiated Power (ERP) for each carrier and frequency used in the modeling.

Frequency (MHz)	Power per Transmitter (Watts)	# of Transmitters	ERP (watts)
2496 (Omni)	20	2	172.58
2496 (UE Relay)	0.2	1	1.93

4 Modeling Summary and Assumptions

4.1 General Model Assumptions

The modeling was conducted using the antenna and radio maximum power values, while operating at full power with 100% duty cycle.

The site has been modeled with these assumptions to calculate the maximum RF energy density. ATG believes this to be a worst case analysis, based on data supplied by the OEMs and client. If actual power density measurements were made, ATG believes the real time measurements would indicate levels below those shown in the report.

5 Preparer Certification

I, Preparer, state that:

- I am an employee of ATG LLC that provides RF-EME safety and compliance services to the wireless communications industry.
- I have successfully completed 100s of RF-EME exposure studies and reports for various carriers.
- I am aware of the potential hazards from RF-EME exposures that would be classified "occupational" or "general public" under the FCC regulations.
- I am familiar with the FCC rules and regulations as well as OSHA regulations both in general and as they apply to RF-EME exposure.
- I have reviewed all the data related to the site and incorporated it into this study and Compliance Report such that the information contained in this report is true and accurate to the best of my knowledge.

Ahmed Saadallah

Ahmed Saadallah (RF Engineer)

Appendix A

Federal Communications Commission (FCC) Requirements

This appendix summarizes the policies, guidelines and requirements that were adopted by the FCC on August 1, 1996, amending Part 1 of Title 47 of the Code of Federal Regulations, and further amended by action of the Commission on August 25, 1997 (see 47 CFR Sections 1.1307(b), 1.1310, 2.1091 and 2.1093, as amended). Commission actions granting construction permits, licenses to transmit or renewals thereof, equipment authorizations or modifications in existing facilities, require the preparation of an Environmental Assessment (EA), as described in 47 CFR Section 1.1311, if the particular facility, operation or transmitter would cause human exposure to levels of radiofrequency (RF) electromagnetic fields in excess of these limits.

The potential hazard associated with the RF electromagnetic fields is discussed in OET Bulletin No. 65. This document can be obtained on the FCC website. (https://transition.fcc.gov/Bureaus/Engineering_Technology/Documents/bulletins/oet65/oet65.pdf)

As per FCC guidelines there are two separate tiers of exposure limits that are based upon occupational/controlled exposure limits (for workers) and general public/uncontrolled exposure limits for members of the general public.

Occupational/controlled exposure limits apply to situations in which persons are exposed as a consequence of their employment and in which those persons who are exposed have been made fully aware of the potential for exposure and can exercise control over their exposure. Limits for occupational/controlled exposure also apply in situations when an individual is transient through a location where occupational/controlled limits apply provided he or she is made aware of the potential for exposure and can exercise control over his or her exposure by leaving the area or by some other appropriate means

General public/uncontrolled exposure limits apply to situations in which the general public may be exposed or in which persons who are exposed as a consequence of their employment and not be made fully aware of the potential for exposure or cannot exercise control over their exposure.

The FCC's MPE limits for field strength and power density are given in Table 1 (and in 47 CFR § 1.1310) Figure 1 is a graphical representation of the limits for plane-wave (far-field) equivalent power density versus frequency. The FCC's limits are generally applicable to all facilities, operations and transmitters regulated by the Commission, and compliance is expected with the appropriate guidelines. The power density limits vary by frequency to take into account the different types of equipment that may be in operation at a particular facility and are "time-averaged" limits to reflect different durations resulting from controlled and uncontrolled exposures.

(A) Limits for Occupational/Controlled Exposure

Frequency Range (MHz)	Electric Field Strength (E) (V/m)	Magnetic Field Strength (H) (A/m)	Power Density (S) (mW/cm ²)	Averaging Time E ² , H ² or S (minutes)
0.3-3.0	614	1.63	(100)*	6
3.0-30	1842/f	4.89/f	(900/f ²)*	6
30-300	61.4	0.163	1.0	6
300-1500	--	--	f/300	6
1500-100,000	--	--	5	6

(B) Limits for General Population/Uncontrolled Exposure

Frequency Range (MHz)	Electric Field Strength (E) (V/m)	Magnetic Field Strength (H) (A/m)	Power Density (S) (mW/cm ²)	Averaging Time E ² , H ² or S (minutes)
0.3-1.34	614	1.63	(100)*	30
1.34-30	824/f	2.19/f	(180/f ²)*	30
30-300	27.5	0.073	0.2	30
300-1500	--	--	f/1500	30
1500-100,000	--	--	1.0	30

f = frequency in MHz

*Plane-wave equivalent power density

f = frequency in MHz *Plane-wave equivalent power density

Table 1

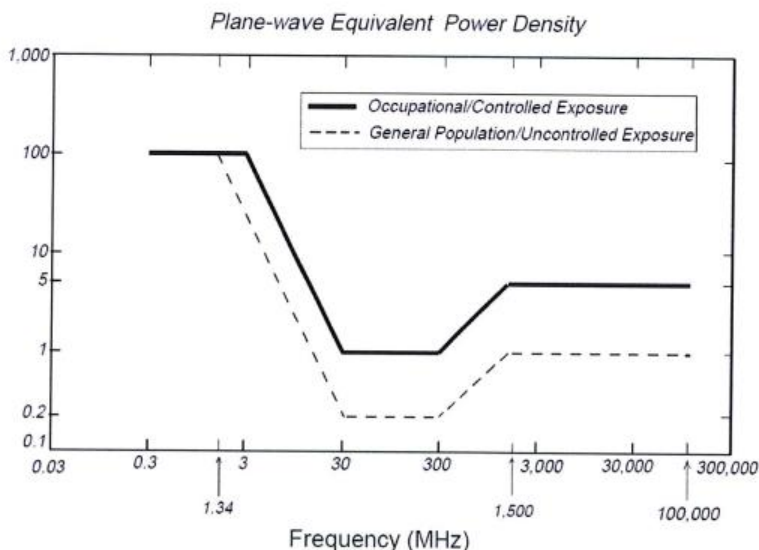


Figure 1. FCC Limits for Maximum Permissible Exposure (MPE)

FCC Compliance Requirement

In general, as specified in 47 C.F.R. 1.1307(b), as amended, when the FCC's guidelines are exceeded in an accessible area due to the emissions from multiple fixed transmitters the following policy applies. Actions necessary to bring the area into compliance with the guidelines are the shared responsibility of all licensees whose transmitter's contribution to the RF environment at the non-complying area exceeds 5% of the exposure limit (that applies to their particular transmitter) in terms of power density or the square of the electric or magnetic field strength.

For non-compliant sites, Occupational Safety and Health Administration (OSHA) set recommendations to make the sites compliant. The document can be found in the link: https://www.osha.gov/dte/library/radiation/nir_stds_20021011/nir_stds_20021011.ppt

Appendix B

Glossary of Terms

1. *Electromagnetic Field (energy density)* – the electromagnetic energy contained in an infinitesimal volume divided by that volume.
2. *Exposure* – Exposure occurs whenever and wherever a person is subjected to electric, magnetic or electromagnetic fields other than those originating from physiological processes in the body and other natural phenomena.
3. *General Population / Uncontrolled Exposure* – applies to human exposure to RF fields when the general public is exposed or in which persons who are exposed as a consequence of their employment may not be made fully aware of the potential for exposure or cannot exercise control over their exposure. Therefore, members of the general public always fall under this category when exposure is not employment-related.
4. *Maximum Permissible Exposure (MPE)* – the rms and peak electric and magnetic field strength, their squares, or the plane-wave equivalent power densities associated with these fields to which a person may be exposed without harmful effect and with an acceptable safety factor.
5. *Occupational / Controlled Exposure* – applies to human exposure to RF fields when persons are exposed as a consequence of their employment and in which those persons who are exposed have been made fully aware of the potential for exposure and can exercise control over their exposure. Occupational/controlled exposure limits also apply where exposure is of a transient nature as a result of incidental passage through a location where exposure levels may be above general population/controlled limits.
6. *Power Density (S)* – Power per unit area normal to the direction of propagation, usually expressed in units of watts per square meter (W/m^2) or, for convenience, units such as milliwatts per square centimeter (mW/cm^2) or microwatts per square centimeter ($\mu W/cm^2$).

Appendix C

RoofView Export File

The below file shows the Antenna information that has been used to calculate the MPE levels using RoofView 5. RoofView is a powerful, Excel based software analysis tool for evaluating radiofrequency (RF) field levels at telecommunications sites that are produced by antennas of the type commonly used in the cellular, paging, SMR, PCS and conventional two-way radio communication services

StartMapDefinition		Roof Max										Map Max										Y Offset										X Offset										Number of envelope										List Of Area																			
		40										200										200										0										0										1 SKS181:5A SKS181:5A XS220										SKS181:5A									
StartSettingsData		Standard	Method	Uptime	Scale	Fact	Low	Thr	Low	Color	Mid	Thr	Mid	Color	Hi	Thr	Hi	Color	Over	Color	Ap	Ht	Multi	Ap	Ht	Method																																													
		4	1	4	1	5	1	100	6	1000	3	5	1.5	1																																																									
StartAntennaData		It is advisable to provide an ID (ant 1) for all antennas																																																																					
ID	Name	Freq	Power	Trans	Trans	Coax	Coax	Other	Input	Calc	Power	Mfg	Model	(ft)	(ft)	(ft)	(ft)	dBd	BWidth	Uptime	ON	Profile	flag																																																
1	Mobilitie	2496								40	40	Alpha	Wirr	AW3477-5	20	20	21.5	VC	2.5	6.35	360	ON																																																	
2	Mobilitie	2496							0.2	0.2	Airspan	IR460	20	20	10.5	VC	1.1	9.85	35	ON																																																			
StartSymbolData		Sym	Map	Mark	Roof	X	Roof	Y	Map	Label	Description	(notes for this table only)																																																											



Attachment H