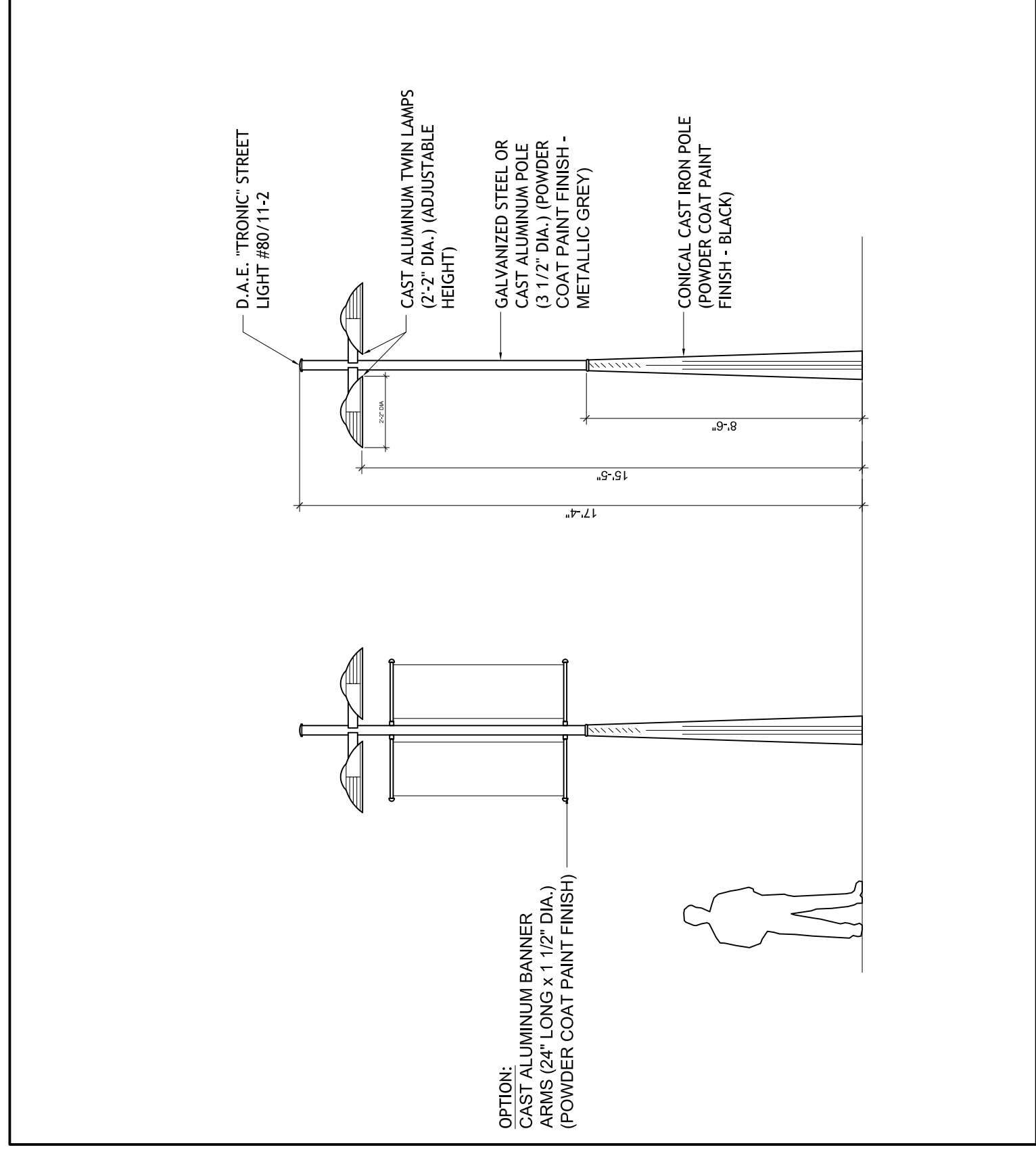
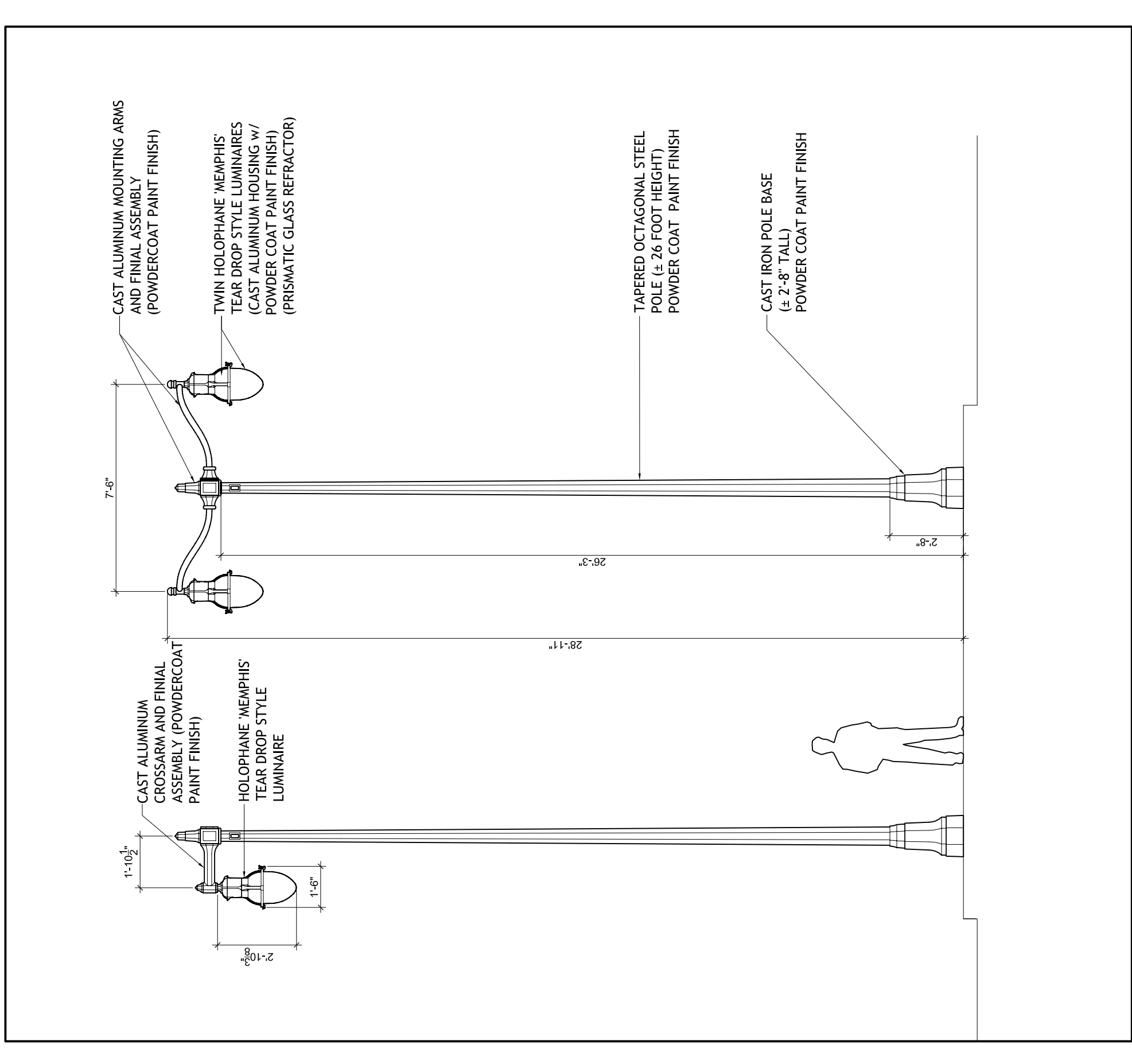


1B Pedestrian Light Pole & Street Light Pole - Single Luminaire
SCALE: 1/4"=1'-0"



2B Street Light Pole - Dual Luminaire
SCALE: 1/4"=1'-0"



3B The Embarcadero- Tall Pole Fixture
SCALE: 1/4"=1'-0"

STREET LIGHTING STANDARDS

Brooklyn Basin - Oak to 9th Development Plan

Prepared for Oakland Harbor Partners by ROMA Design Group in association with MVE Architects, Moffatt & Nichol and BKF Engineers
DECEMBER 2005