

**Case File Number: PLN16-383**

**September 27, 2017**

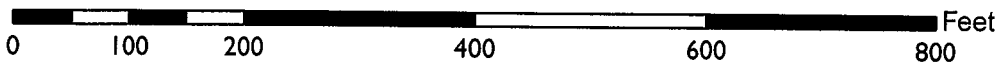
<b>Location:</b>	<b>The public Right of Way adjacent to 2215 86<sup>th</sup> Avenue on a PG&amp;E Utility /Telephone Pole (See map on reverse)</b>
<b>Assessor Parcel Numbers:</b>	<b>(043 457001800) nearest lot adjacent to the project site.</b>
<b>Proposal:</b>	Installation of a wireless telecommunication facility on a wooden utility pole located in the public right-of-way. The project involves replacement of an existing 37'-6" tall, wood, utility pole with a new 43' tall, PG&E pole and installation of one (1) canister antenna located within an antenna shroud measuring 23.5" long and 7.9" in diameter at a height of 18' and two radio units (7.9" tall and 7.9" wide) mounted 10'-6" and 13'-11" above ground.
<b>Applicant:</b>	Black & Veatch for Extenet Systems
<b>Contact Person/ Phone Number:</b>	Ana Gomez of Black & Veatch (913) 458-9148
<b>Owner:</b>	Pacific Gas & Electric (PG&E)
<b>Case File Number:</b>	<b>PLN16-383</b>
<b>Planning Permits Required:</b>	Major Design Review to install a wireless Macro Telecommunications Facility on a replaced PG&E utility pole located in the public right -of- way in a residential zone.
<b>General Plan:</b>	Mixed Housing Type Residential
<b>Zoning:</b>	RM-3 Mixed Housing Type Residential
<b>Environmental Determination:</b>	Exempt per Sections 15301 of the State CEQA Guidelines, minor additions and alterations to an existing PG&E utility pole; Section 15302, replacement or reconstruction of existing utility systems and/or facilities; Section 15303, new construction or conversion of small structures; and Section 15183, projects consistent with a community plan, general plan or zoning.
<b>Historic Status:</b>	No Historic Record – Utility Pole
<b>City Council District:</b>	6
<b>Date Filed:</b>	November 22, 2016
<b>Finality of Decision:</b>	Appealable to City Council within 10 Days
<b>For Further Information:</b>	Contact case planner Danny Thai at (510) 238-3584 or dthai@oaklandnet.com

**SUMMARY**

The project applicant (Extenet Systems) is proposing to install a wireless telecommunication facility located in the public right-of-way near 2215 86<sup>th</sup> Avenue. The project involves replacement of an existing 37'-6" tall wooden PG&E utility pole with a new 43' tall wooden utility pole at the same location and installation of one canister antenna within an antenna shroud and two radio units.

Major Design Review is required for the installation of a new Macro Telecommunications Facility in a residential zone. The proposed new pole, antenna and associated equipment are similar to other utility poles and equipment within the same block and around the City. The antenna shroud will extend toward the street away from the adjacent residences. The antenna shroud and associated

# CITY OF OAKLAND PLANNING COMMISSION



Case File: PLN16383

Applicant: Extenet Systems (California) LLC. (for T-Mobile USA, INC)

Address: The Public Right-of-Way Adjacent to 2215 86th Avenue

Zone: RM-3



equipment will be painted grey or brown to match the pole and/or other utilities located on the pole. As result, the proposed telecommunication facility is an appropriate location and would not significantly increase negative visual impacts to adjacent neighboring residential properties. The project meets all the required findings for approval of the project.

### **TELECOMMUNICATIONS BACKGROUND**

#### **Limitations on Local Government Zoning Authority under the Telecommunications Act of 1996**

Section 704 of the Telecommunications Act of 1996 (TCA) provides federal standards for the siting of "Personal Wireless Services Facilities." "Personal Wireless Services" include all commercial mobile services (including personal communications services (PCS), cellular radio mobile services, and paging); unlicensed wireless services; and common carrier wireless exchange access services. Under Section 704, local zoning authority over personal wireless services is preserved such that the FCC is prevented from preempting local land use decisions; however, local government zoning decisions are still restricted by several provisions of federal law. Specifically:

- Under Section 253 of the TCA, no state or local regulation or other legal requirement can prohibit or have the effect of prohibiting the ability of any entity to provide any interstate or intrastate telecommunications service.
- Further, Section 704 of the TCA imposes limitations on what local and state governments can do. Section 704 prohibits any state and local government action which unreasonably discriminates among personal wireless providers. Local governments must ensure that its wireless ordinance does not contain requirements in the form of regulatory terms or fees which may have the "effect" of prohibiting the placement, construction, or modification of personal wireless services.
- Section 704 also preempts any local zoning regulation purporting to regulate the placement, construction and modification of personal wireless service facilities on the basis, either directly or indirectly, on the environmental effects of radio frequency emissions (RF) of such facilities, which otherwise comply with Federal Communications Commission (FCC) standards in this regard. (See 47 U.S.C. Section 332(c)(7)(B)(iv) (1996)). This means that local authorities may not regulate the siting or construction of personal wireless facilities based on RF standards that are more stringent than those promulgated by the FCC.
- Section 704 mandates that local governments act upon personal wireless service facility siting applications to place, construct, or modify a facility within a reasonable time (See 47 U.S.C.332(c)(7)(B)(ii) and FCC Shot Clock ruling setting forth "reasonable time" standards for applications deemed complete).
- Section 704 also mandates that the FCC provide technical support to local governments in order to encourage them to make property, rights-of-way, and easements under their

jurisdiction available for the placement of new spectrum-based telecommunications services. This proceeding is currently at the comment stage.

For more information on the FCC's jurisdiction in this area, consult the following: Competition & Infrastructure Policy Division (CIPD) of the Wireless Telecommunications Bureau, main division number: (202) 418-1310. <https://www.fcc.gov/general/competition-infrastructure-policy-division-wireless-telecommunications-bureau>

**PROPERTY DESCRIPTION**

The existing 37'-6" tall wooden PG&E utility pole is located in the City of Oakland public right-of-way near 2215 86<sup>th</sup> Avenue.

**PROJECT DESCRIPTION**

As shown in Attachment A, the project applicant proposes to:

- Replace an existing 37'-6" tall wooden PG&E utility pole with a new 43' tall wood utility pole in the same location,
- Install one canister antenna within an antenna shroud measuring 23.5" long and 7.9" in diameter at a height of 18' extending toward street,
- Install two radio units measuring 7.9" tall and 7.9" wide mounted at a height of 13'-11" and 10'-6" above ground,
- Install an associated breaker box and smart meter mounted 8' above ground, and
- Paint the proposed antennas and associated equipment grey or brown to match the pole and/or other utilities located on the pole.

No portion of the telecommunication facilities will be located on the ground within City of Oakland public right-of-way. The proposed antenna and associated equipment will not be accessible to the public.

**GENERAL PLAN ANALYSIS**

The site is classified Mixed Housing Type Residential per the Oakland General Plan's Land Use and Transportation Element (LUTE). This classification is intended to create, maintain, and enhance residential areas typically located near the City's major arterials and characterized by a mix of single-family homes, townhouses, small multi-unit buildings, and neighborhood business where appropriate. "Future development within this classification should be primarily residential in character."

The proposed unmanned wireless telecommunication facility, mounted on a replaced utility pole. Given increasing reliance upon cellular service for phone and internet, the proposal will not

adversely affect and detract from the characteristics of the neighborhood. Staff, therefore, finds the proposal, as conditioned, to conform to the General Plan.

## ZONING ANALYSIS

The proposed telecommunication facility is located within the RM-3 Mixed Housing Type Residential Zone. The intent of the RM-3 Zone is to create, maintain, and enhance residential areas characterized by a mix of single family homes, duplexes, townhouses, small multi-unit buildings, and neighborhood businesses where appropriate.

Given customers increasing reliance upon cellular service for phone and Wi-Fi, the proposal conforms to this intent.

Sections 17.136.040 and 17.128.070 of the City of Oakland Planning Code require a Major Design Review permit for Macro Telecommunication facilities that are attached to utility poles in the RM-2 Zone or that are located within one hundred (100) feet of the boundary of any residential zone. Special findings are also required for Design Review approval to ensure that the facility is concealed to the greatest extent possible. The project design is discussed later in the *Key Issues* section of this report and the required findings for Major Design Review are listed and included in staff's evaluation later in this report.

## ENVIRONMENTAL DETERMINATION

The California Environmental Quality Act (CEQA) Guidelines list the projects that qualify as categorical exemptions from environmental review. The proposed project is categorically exempt from the environmental review requirements pursuant to Section 15301, minor additions and alterations to an existing PG&E utility pole; Section 15302, replacement or reconstruction of existing utility systems and/or facilities; Section 15303, new construction or conversion of small structures, and Section 15183, projects consistent with the General Plan or Zoning.

## KEY ISSUES AND IMPACTS

### General Development Standards for Macro Telecommunications Facilities

Section 17.128.070A of the City of Oakland Telecommunication Regulations requires that Macro Telecommunications Facilities meet certain development standards. The standards and the proposal's compliance is discussed below.

1. *The Macro Facilities shall be located on existing buildings, poles or other existing support structures, or shall be post mounted.*

The proposal is located on a replaced utility pole.

2. *The equipment shelter or cabinet must be concealed from public view or made compatible with the architecture of the surrounding structures or placed underground. The shelter or cabinet must be regularly maintained.*

The antenna will be mounted within an antenna shroud. Recommended Conditions of Approval require painting and texturing the antenna and equipment to match the appearance of the pole. There is no equipment shelter or cabinet proposed.

3. *Macro Facilities may exceed the height limitation specified for all zones but may not exceed fifteen (15) feet above the roof line or parapet. Placement of an antenna on a nonconforming structure shall not be considered to be an expansion of the nonconforming structure.*

The proposal will not be located on a building. Therefore, this standard is not applicable.

4. *Ground post mounted Macro Facilities must not exceed seventeen (17) feet to the top of the antenna.*

The proposal is not a ground post mounted facility per the definition in Planning Code Chapter 17.128.

5. *The applicant shall submit written documentation demonstrating that the emissions from the proposed project are within the limits set by the Federal Communications Commission.*

An acceptable Radio Frequency emissions Report was submitted as discussed below.

### **Project Site**

Section 17.128.110 of the City of Oakland Telecommunication Regulations requires that new wireless facilities shall generally be located on designated properties or facilities in the following ranked order of preference:

- A. Co-located on an existing structure or facility with existing wireless antennas.
- B. City owned properties or other public or quasi-public facilities.
- C. Existing commercial or industrial structures in non-residential zones (excluding all HBX Zones and the D-CE3 and D-C-4 Zones).
- D. Existing commercial or industrial structures in residential zones, HBX Zones, or the D-CE-3 or D-CE-4 Zones.
- E. Other non-residential uses in residential zones, HBX Zones, or the D-CE-3 or D-CE-4 Zones.
- F. Residential uses in non-residential zones (excluding all HBX Zones and the D-CE-3 and D-CE-4 Zones).
- G. Residential uses in residential zones, HBX Zones, or the D-CE-3 or D-CE-4 Zones.

Facilities sited on an A, B or C ranked preferences do not require a site alternatives analysis. Since the proposed project involves the replacement of the utility pole and installation of new antenna and radio units within an RM-2 Zone, the proposed project meets preferences B, and a site alternatives analysis is not required. However, applicant has provided a site alternative analysis (Attachment B).

**Alternative Site Analysis:**

The project is located in an area with existing residential structures. The project applicant considered alternative sites on other utility poles in this area but none of these sites are as desirable from a service coverage perspective or from an aesthetics perspective to minimize visual impacts. The proposed project is in an underserved area. The proposed location is approximately equidistant from other Distributed Antenna Systems (DAS) nodes proposed in the surrounding area so that service coverage can be evenly distributed.

Staff has reviewed the applicant's alternative sites analysis and determined that the site selected conforms to the telecommunication regulation requirements. In addition, staff agrees that no other sites are more suitable.

**Project Design**

Section 17.128.120 of the City of Oakland Telecommunications Regulations requires that new wireless facilities shall generally be designed in the following order of preference:

- A. Building or structure mounted antennas completely concealed from view.
- B. Building or structure mounted antennas set back from roof edge, not visible from public right-of way.
- C. Building or structure mounted antennas below roof line (facade mount, pole mount) visible from public right-of-way, painted to match existing structure.
- D. Building or structure mounted antennas above roof line visible from public right of-way.
- E. Monopoles.
- F. Towers.

Facilities designed to meet an A and B ranked preference do not require an alternative design analysis. Facilities designed to meet a C through F ranked preference, inclusive, must submit an alternative design analysis as part of the required application materials. The design alternatives analysis shall, at a minimum, consist of:

Written evidence indicating why each higher preference design alternative cannot be used. Such evidence shall be in sufficient detail that independent verification could be obtained if required by the City of Oakland Zoning Manager. Evidence should indicate if the reason an alternative was rejected was technical (e.g. incorrect height, interference from existing RF sources, inability to cover required area) or for other concerns (e.g. inability to provide utilities, construction or structural impediments).

Since the proposed project does not meet preference A and B, an alternative design analysis is required.

**Alternative Design Analysis:**

The project applicant submitted an alternative design analysis (Attachment B). The analysis evaluated viable locations to locate a small cell site facility. The proposed design is a good option because the facility is located where a signal can be adequately propagated without obstruction, which could not have been the case if the antenna was located on a building and concealed. The

proposed screened antenna and associated equipment will be concealed to the extent possible and would not significantly increase negative visual impacts to adjacent neighboring residential properties.

Planning staff has reviewed the applicant's alternative design analysis and determined that the site selected conforms to the telecommunication regulation requirements. Specifically, given the flat topography, streamlined equipment design and location of the replaced pole, the facility will blend in with the existing utility apparatus on the replaced 43' tall, wooden pole. In addition, the proposed new antenna is located within a shroud screening. Both the antenna and the radio units will be attached above head height, 10'- 18' above the ground. The shroud and radio units will be painted grey to match the other utilities or brown to match the pole. Finally, the replaced pole will be taller to avoid transmission interference between the PG&E and telecommunication equipment.

### **Project Radio Frequency Emissions Standards**

Section 17.128.130 of the City of Oakland Telecommunication Regulations requires that the applicant submit the following verifications including requests for modifications to existing facilities:

- a. The telecommunications regulations require that the applicant submit written documentation demonstrating that the emission from the proposed project are within the limits set by the Federal Communications Commission.
- b. Prior to final building permit sign off, an RF emissions report indicating that the site is operating within the acceptable thresholds as established by the Federal government or any such agency who may be subsequently authorized to establish such standards.

In the analysis prepared by Hammett & Edison, Inc. (Attachment C), the proposed project was evaluated for compliance with appropriate guidelines limiting human exposure to radio frequency electromagnetic fields. According to the report, the project will comply with the prevailing standards for limiting public exposure to radio frequency energy, and therefore, the proposed site will operate within the current acceptable thresholds as established by the Federal government or any such agency that may be subsequently authorized to establish such standards. The RF emissions report, states that the proposed project will not cause a significant impact on the environment. Additionally, staff recommends that, prior to the final building permit sign off, the applicant submit a certified RF emissions report stating that the facility is operating within acceptable thresholds established by the regulatory federal agency.

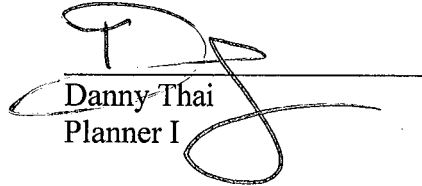
### **CONCLUSION**

The proposed project meets all the required findings for approval. The proposal will provide an essential telecommunication service to the community and the City of Oakland at large. It will also be available to emergency services such as police, fire department and emergency response teams. Staff believes that the proposal is designed to meet the established zoning and telecommunication regulations and recommends supporting the Major Design Review application.


**RECOMMENDATIONS:**

1. Affirm staff's environmental determination
2. Approve Design Review application, subject to the attached findings and conditions of approval.


Prepared by:

  
\_\_\_\_\_  
Danny Thai  
Planner I

Reviewed by:

  
\_\_\_\_\_  
Scott Miller  
Zoning Manager

Approved for forwarding to the  
City Planning Commission

  
\_\_\_\_\_  
Darin Ranelletti, Interim Director  
Planning and Building Bureau

**ATTACHMENTS:**

- A. Project Plans & Photo simulations
- B. Site & Design Alternative Analysis
- C. Hammett & Edison, Inc., Consulting Engineering RF Emissions Report
- D. CPUC Compliance Letter dated February 17, 2017
- E. Applicant – proof of public notification posting

**FINDINGS FOR APPROVAL****FINDINGS FOR APPROVAL:**

This proposal meets all the required findings under Section 17.136.050(B), of the Non-Residential Design Review criteria and all the required findings under Section 17.128.070(B), of the telecommunication facilities (Macro) Design Review criteria and as set forth below:

Required findings are shown in **bold** type; reasons your proposal satisfies them are shown in normal type.

**17.136.050(B) – NONRESIDENTIAL DESIGN REVIEW CRITERIA:**

**1. That the proposal will help achieve or maintain a group of facilities which are well related to one another and which, when taken together, will result in a well-composed design, with consideration given to site, landscape, bulk, height, arrangement, texture, materials, colors, and appurtenances; the relation of these factors to other facilities in the vicinity; and the relation of the proposal to the total setting as seen from key points in the surrounding area. Only elements of design which have some significant relationship to outside appearance shall be considered, except as otherwise provided in Section 17.136.060;**

The project involves replacement of an existing 37'-6" tall wooden utility pole with a new 43' tall PG&E utility pole and installation of one antenna within an antenna shroud and two radio units mounted above the breaker box and smart meter. The pole will be like other wood PG&E poles found in the area and throughout the City. The replaced pole will be taller than the existing pole but the additional height is necessary to avoid interference between the PG&E and telecommunication equipment. In addition, the proposed antennas and radio units will be typical of the utility equipment found on these poles, located high up on the pole, oriented toward the street and painted grey or brown to match the pole or other equipment. Therefore, the facility will not adversely affect and detract from the residential characteristics of the neighborhood.

**2. That the proposed design will be of a quality and character which harmonizes with, and serves to protect the value of, private and public investments in the area;**

The proposal improves wireless telecommunication service in the residential area. The facility will be camouflaged by the slim antenna canister, extending toward the street and painted grey or brown to blend in with the existing surrounding area. These measures will result in the proposal having minimal visual impacts on public views and protecting the value of private and public investments in the area. Service will also be available to emergency services such as police, fire department and emergency response teams.

**3. That the proposed design conforms in all significant respects with the Oakland General Plan and with any applicable design review guidelines or criteria, district plan, or development control map which have been adopted by the Planning Commission or City Council.**

The site is classified Mixed Housing Type Residential per the Oakland General Plan's Land Use and Transportation Element (LUTE). This classification is intended to create, maintain, and enhance residential areas typically located near the City's major arterials and characterized by a mix of single-family homes, townhouses, small multi-unit buildings, and neighborhood business



where appropriate. "Future development within this classification should be primarily residential in character."

The proposed unmanned wireless telecommunication facility, mounted on a replaced utility pole, will not adversely affect and detract from the characteristics of the neighborhood. Section 17.128.120 of the City of Oakland Telecommunications Regulations describes the design criteria for wireless facilities. In general, these facilities should either be concealed from view or not visible from the public right of way. Since the project did not meet either ranked criteria, but did meet criteria C as described above, an alternative design study needed to be undertaken. The analysis shows that the proposed pole will be like other utility poles within the same block. The replaced pole will be taller than the existing pole but the additional height is necessary to avoid interference between the PG&E and telecommunication equipment. The proposed antenna and related equipment are compatible with, and typical of, the utility equipment on these poles. Furthermore, the proposed antenna shroud will extend toward the street, be located away from the adjacent homes, and painted to match either the pole or utilities. As result, the proposal is consistent with the telecommunication regulation requirements, is in an appropriate location, and of an appropriate design that would not significantly increase negative visual impacts to adjacent neighboring residential properties.

**17.128.070(B) DESIGN REVIEW CRITERIA FOR MACRO FACILITIES**

**1. Antennas should be painted and/or textured to match the existing structure:**

The antennas and equipment will be painted grey to match the existing utility equipment or brown to match the proposed wooden utility pole to minimize the potential visual impact.

**2. Antennas mounted on architecturally significant structures or significant architectural details of the building should be covered by appropriate casings which are manufactured to match existing architectural features found on the building:**

The proposed antennas and equipment will not be mounted onto an architecturally significant structure but onto a replaced wooden utility pole similar to other poles in the City and on the block.

**3. Where feasible, antennas can be placed directly above, below or incorporated with vertical design elements of a building to help in camouflaging:**

The proposed antennas will be placed above head height, and vertically in line with the proposed utility pole. The equipment will be painted to match the pole or utility equipment to blend with the surroundings.

**4. Equipment shelters or cabinets shall be screened from the public view by using landscaping, or materials and colors consistent with surrounding backdrop:**

The associated antenna will be located within a shroud attached to a replaced utility pole and painted to match the proposed wooden pole or the other utilities in order to minimize visual impacts on the neighboring properties.

**5. Equipment shelters or cabinets shall be consistent with the general character of the area.**

See above finding # 4.

**6. For antennas attached to the roof, maintain a 1:1 ratio for equipment setback; screen the antennas to match existing air conditioning units, stairs, or elevator towers; avoid placing roof mounted antennas in direct line with significant view corridors.**

N/A

**7. That all reasonable means of reducing public access to the antennas and equipment has been made, including, but not limited to, placement in or on buildings or structures, fencing, anti-climbing measures and anti-tampering devices.**

The proposed screened antenna will be mounted at a height of 18' on a replaced PG&E utility pole and will not be accessible to the public due to its location. The radio unit equipment will be attached to the pole more than 10'-6" above the ground.

**STANDARD CONDITIONS:****1. Approved Use**

The project shall be constructed and operated in accordance with the authorized use as described in the approved application materials, and the approved plans dated **October 5, 2016** and submitted on **November 22, 2016** as amended by the following conditions of approval and mitigation measures, if applicable (“Conditions of Approval” or “Conditions”).

**2. Effective Date, Expiration, Extensions and Extinguishment**

This Approval shall become effective immediately, unless the Approval is appealable, in which case the Approval shall become effective in ten calendar days unless an appeal is filed. Unless a different termination date is prescribed, this Approval shall expire **two years** from the Approval date, or from the date of the final decision in the event of an appeal, unless within such period all necessary permits for construction or alteration have been issued, or the authorized activities have commenced in the case of a permit not involving construction or alteration. Upon written request and payment of appropriate fees submitted no later than the expiration date of this Approval, the Director of City Planning or designee may grant a one-year extension of this date, with additional extensions subject to approval by the approving body. Expiration of any necessary building permit or other construction-related permit for this project may invalidate this Approval if said Approval has also expired. If litigation is filed challenging this Approval, or its implementation, then the time period stated above for obtaining necessary permits for construction or alteration and/or commencement of authorized activities is automatically extended for the duration of the litigation.

**3. Compliance with Other Requirements**

The project applicant shall comply with all other applicable federal, state, regional, and local laws/codes, requirements, regulations, and guidelines, including but not limited to those imposed by the City’s Bureau of Building, Fire Marshal, and Public Works Department. Compliance with other applicable requirements may require changes to the approved use and/or plans. These changes shall be processed in accordance with the procedures contained in Condition #4.

**4. Minor and Major Changes**

- a. Minor changes to the approved project, plans, Conditions, facilities, or use may be approved administratively by the Director of City Planning
- b. Major changes to the approved project, plans, Conditions, facilities, or use shall be reviewed by the Director of City Planning to determine whether such changes require submittal and approval of a revision to the Approval by the original approving body or a new independent permit/approval. Major revisions shall be reviewed in accordance with the procedures required for the original permit/approval. A new independent permit/approval shall be reviewed in accordance with the procedures required for the new permit/approval.

**5. Compliance with Conditions of Approval**

- a. The project applicant and property owner, including successors, (collectively referred to hereafter as the “project applicant” or “applicant”) shall be responsible for compliance with all

the Conditions of Approval and any recommendations contained in any submitted and approved technical report at his/her sole cost and expense, subject to review and approval by the City of Oakland.

- b. The City of Oakland reserves the right at any time during construction to require certification by a licensed professional at the project applicant's expense that the as-built project conforms to all applicable requirements, including but not limited to, approved maximum heights and minimum setbacks. Failure to construct the project in accordance with the Approval may result in remedial reconstruction, permit revocation, permit modification, stop work, permit suspension, or other corrective action.
- c. Violation of any term, Condition, or project description relating to the Approval is unlawful, prohibited, and a violation of the Oakland Municipal Code. The City of Oakland reserves the right to initiate civil and/or criminal enforcement and/or abatement proceedings, or after notice and public hearing, to revoke the Approval or alter these Conditions if it is found that there is violation of any of the Conditions or the provisions of the Planning Code or Municipal Code, or the project operates as or causes a public nuisance. This provision is not intended to, nor does it, limit in any manner whatsoever the ability of the City to take appropriate enforcement actions. The project applicant shall be responsible for paying fees in accordance with the City's Master Fee Schedule for inspections conducted by the City or a City-designated third-party to investigate alleged violations of the Approval or Conditions.

**6. Signed Copy of the Approval/Conditions**

A copy of the Approval letter and Conditions shall be signed by the project applicant, attached to each set of permit plans submitted to the appropriate City agency for the project, and made available for review at the project job site at all times.

**7. Blight/Nuisances**

The project site shall be kept in a blight/nuisance-free condition. Any existing blight or nuisance shall be abated within 60 days of approval, unless an earlier date is specified elsewhere.

**8. Indemnification**

- a. To the maximum extent permitted by law, the project applicant shall defend (with counsel acceptable to the City), indemnify, and hold harmless the City of Oakland, the Oakland City Council, the Oakland Redevelopment Successor Agency, the Oakland City Planning Commission, and their respective agents, officers, employees, and volunteers (hereafter collectively called "City") from any liability, damages, claim, judgment, loss (direct or indirect), action, causes of action, or proceeding (including legal costs, attorneys' fees, expert witness or consultant fees, City Attorney or staff time, expenses or costs) (collectively called "Action") against the City to attack, set aside, void or annul this Approval or implementation of this Approval. The City may elect, in its sole discretion, to participate in the defense of said Action and the project applicant shall reimburse the City for its reasonable legal costs and attorneys' fees.
- b. Within ten (10) calendar days of the filing of any Action as specified in subsection (a) above, the project applicant shall execute a Joint Defense Letter of Agreement with the City, acceptable to the Office of the City Attorney, which memorializes the above obligations. These obligations and the Joint Defense Letter of Agreement shall survive termination, extinguishment, or invalidation of the Approval. Failure to timely execute the Letter of Agreement does not relieve

the project applicant of any of the obligations contained in this Condition or other requirements or Conditions of Approval that may be imposed by the City.

**9. Severability**

The Approval would not have been granted but for the applicability and validity of each and every one of the specified Conditions, and if one or more of such Conditions is found to be invalid by a court of competent jurisdiction this Approval would not have been granted without requiring other valid Conditions consistent with achieving the same purpose and intent of such Approval.

**10. Job Site Plans**

***Ongoing throughout demolition, grading, and/or construction***

At least one (1) copy of the stamped approved plans, along with the Approval Letter and Conditions of Approval, shall be available for review at the job site at all times.

**11. Special Inspector/Inspections, Independent Technical Review, Project Coordination and Management**

***Prior to issuance of a demolition, grading, and/or construction permit***

The project applicant may be required to pay for on-call special inspector(s)/inspections as needed during the times of extensive or specialized plan check review, or construction. The project applicant may also be required to cover the full costs of independent technical and other types of peer review, monitoring and inspection, including without limitation, third party plan check fees, including inspections of violations of Conditions of Approval. The project applicant shall establish a deposit with the Building Services Division, as directed by the Building Official, Director of City Planning or designee.

**12. Public Improvements**

The project applicant shall obtain all necessary permits/approvals, such as encroachment permits, obstruction permits, curb/gutter/sidewalk permits, and public improvement (“p-job”) permits from the City for work in the public right-of-way, including but not limited to, streets, curbs, gutters, sidewalks, utilities, and fire hydrants. Prior to any work in the public right-of-way, the applicant shall submit plans for review and approval by the Bureau of Planning, the Bureau of Building, and other City departments as required. Public improvements shall be designed and installed to the satisfaction of the City.

**13. Days/Hours of Construction Operation**

***Ongoing throughout demolition, grading, and/or construction***

The project applicant shall require construction contractors to limit standard construction activities as follows:

- a) Construction activities are limited to between 7:00 AM and 7:00 PM Monday through Friday, except that pile driving and/or other extreme noise generating activities greater than 90 dBA shall be limited to between 8:00 a.m. and 4:00 p.m. Monday through Friday.
- b) Any construction activity proposed to occur outside of the standard hours of 7:00 am to 7:00 pm Monday through Friday for special activities (such as concrete pouring which may require more continuous amounts of time) shall be evaluated on a case by case basis, with criteria including the proximity of residential uses and a consideration of resident’s preferences for whether the activity is acceptable if the

overall duration of construction is shortened and such construction activities shall only be allowed with the prior written authorization of the Building Services Division.

- c) Construction activity shall not occur on Saturdays, with the following possible exceptions:
  - i. Prior to the building being enclosed, requests for Saturday construction for special activities (such as concrete pouring which may require more continuous amounts of time), shall be evaluated on a case by case basis, with criteria including the proximity of residential uses and a consideration of resident's preferences for whether the activity is acceptable if the overall duration of construction is shortened. Such construction activities shall only be allowed on Saturdays with the prior written authorization of the Building Services Division.
  - ii. After the building is enclosed, requests for Saturday construction activities shall only be allowed on Saturdays with the prior written authorization of the Building Services Division, and only then within the interior of the building with the doors and windows closed.
- d) No extreme noise generating activities (greater than 90 dBA) shall be allowed on Saturdays, with no exceptions.
- e) No construction activity shall take place on Sundays or Federal holidays.
- f) Construction activities include but are not limited to: truck idling, moving equipment (including trucks, elevators, etc) or materials, deliveries, and construction meetings held on-site in a non-enclosed area.

#### **14. Radio Frequency Emissions**

##### ***Prior to the final building permit sign off.***

The applicant shall submit a certified RF emissions report stating the facility is operating within the acceptable standards established by the regulatory Federal Communications Commission.

#### **15. Camouflage**

Requirement: The antenna shall be painted, texturized, and maintained matte silver, and the equipment and any other accessory items including cables matte brown, to better camouflage the facility to the utility pole and attached power line posts.

When Required: Prior to a final inspection

Initial Approval: N/A

Monitoring/Inspection: Bureau of Building

#### **16. Operational**

##### **Ongoing.**

Noise levels from the activity, property, or any mechanical equipment on site shall comply with the performance standards of Section 17.120 of the Oakland Planning Code and Section 8.18 of the Oakland Municipal Code. If noise levels exceed these standards, the activity causing the noise shall be abated until appropriate noise reduction measures have been installed and compliance verified by the Planning and Zoning Division and Building Services.

#### **17. Possible District Undergrounding PG&E Pole**

##### **Ongoing**

Should the PG &E utility pole be voluntarily removed for purposes of district undergrounding or otherwise, the telecommunications facility can only be re-established by

applying for and receiving approval of a new application to the Oakland Planning Department as required by the regulations.

**Applicant Statement**

I have read and accept responsibility for the Conditions of Approval. I agree to abide by and conform to the Conditions of Approval, as well as to all provisions of the Oakland Planning Code and Oakland Municipal Code pertaining to the project.

\_\_\_\_\_  
Name of Project Applicant

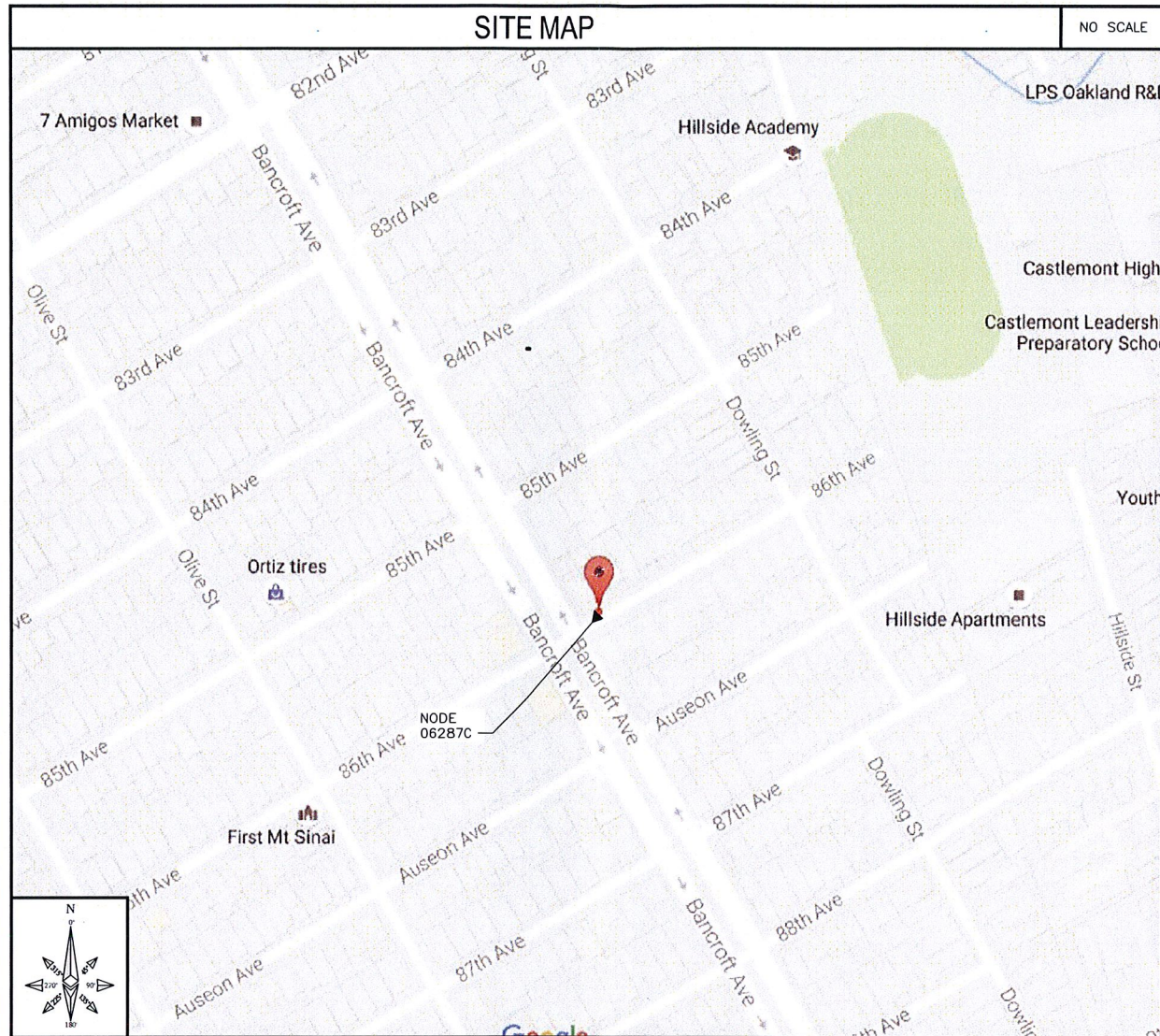
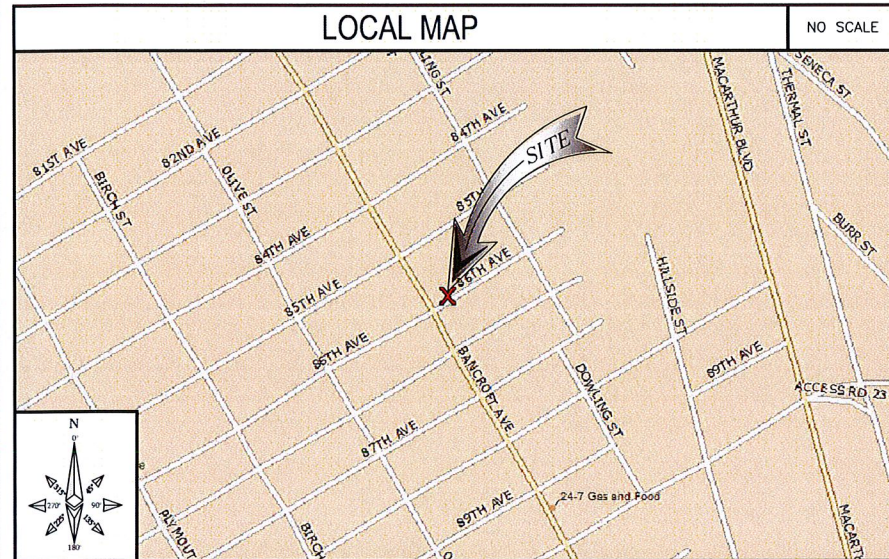
\_\_\_\_\_  
Signature of Project Applicant

\_\_\_\_\_  
Date



# NW-CA-SANFRNMC 06287C

ADJACENT TO (IN PROW)  
2215 86TH AVENUE  
OAKLAND, CA 94605



## CODE COMPLIANCE

ALL WORK AND MATERIALS SHALL BE PERFORMED AND INSTALLED IN ACCORDANCE WITH THE CURRENT EDITIONS OF THE FOLLOWING CODES AS ADOPTED BY THE LOCAL GOVERNING AUTHORITIES (AS APPLICABLE). NOTHING IN THESE PLANS IS TO BE CONSTRUCTED TO PERMIT WORK NOT CONFORMING TO THESE CODES.

- 1: IBC - 2012
- 2: CALIFORNIA BUILDING STANDARDS CODE - 2013
- 3: CALIFORNIA GENERAL ORDER 95
- 4: CALIFORNIA MECHANICAL CODE 2013
- 5: CALIFORNIA PLUMBING CODE 2013
- 6: CALIFORNIA ELECTRICAL CODE 2013
- 7: CITY AND/OR COUNTY ORDINANCES
- 8: 2012 INTERNATIONAL FIRE CODE
- 9: BUILDING OFFICIALS AND CODE ADMINISTRATORS (BOCA)  
\*EFFECTIVE UNTIL JANUARY 1ST, 2017

## PROJECT DESCRIPTION

THESE DRAWINGS DEPICT THE INSTALLATION OF A WIRELESS TELECOMMUNICATIONS NODE IN THE PUBLIC RIGHT OF WAY. HARDWARE AND ANCILLARY EQUIPMENT TO BE INSTALLED AS DESCRIBED HEREIN.

## GENERAL PROJECT NOTES

1. PRIOR TO SUBMITTING A BID, THE CONTRACTOR SHALL FAMILIARIZE HIMSELF/HERSELF WITH THE SCOPE OF WORK AND ALL CONDITIONS AFFECTING THE NEW PROJECT.
2. CONTRACTOR SHALL VERIFY ALL FIELD CONDITIONS AND DIMENSIONS OF THE JOB SITE AND CONFIRM THAT WORK AS INDICATED ON THESE CONSTRUCTION DOCUMENTS CAN BE ACCOMPLISHED AS SHOWN PRIOR TO COMMENCEMENT OF ANY WORK.
3. ALL FIELD MODIFICATIONS BEFORE, DURING OR AFTER CONSTRUCTION SHALL BE APPROVED IN WRITING BY AN EXTENET SYSTEMS REPRESENTATIVE.
4. INSTALL ALL EQUIPMENT AND MATERIALS PER THE MANUFACTURER'S RECOMMENDATIONS, UNLESS INDICATED OTHERWISE.
5. NOTIFY EXTENET SYSTEMS, IN WRITING, OF ANY MAJOR DISCREPANCIES REGARDING THE CONTRACT DOCUMENTS, EXISTING CONDITIONS, AND DESIGN INTENT. THE CONTRACTOR SHALL BE RESPONSIBLE FOR OBTAINING CLARIFICATIONS FROM AN EXTENET SYSTEMS REPRESENTATIVE, AND ADJUSTING THE BID ACCORDINGLY.
6. CONTRACTOR SHALL BE SOLELY RESPONSIBLE FOR ALL CONSTRUCTION MEANS, METHODS, TECHNIQUES, SEQUENCES AND PROCEDURES OF THE WORK UNDER THE CONTRACT.
7. CONTRACTOR SHALL PROTECT ALL EXISTING IMPROVEMENTS AND FINISHES THAT ARE TO REMAIN. CONTRACTOR SHALL REPAIR ANY DAMAGE THAT MAY OCCUR DURING THE CONSTRUCTION TO THE SATISFACTION OF AN EXTENET SYSTEMS REPRESENTATIVE.
8. CONTRACTOR PLANS TO ILLUSTRATE THE AS-BUILT CONDITION OF THE SITE. FOLLOWING THE FINAL INSPECTION BY EXTENET OR TMOBILE, THE CONTRACTOR SHALL PROVIDE EXTENET SYSTEMS WITH ONE COPY OF ALL RED-LINED DRAWINGS.
9. VERIFY ALL FINAL EQUIPMENT WITH AN EXTENET SYSTEMS REPRESENTATIVE. ALL EQUIPMENT LAYOUT, SPECS, PERFORMANCE INSTALLATION AND THEIR FINAL LOCATION ARE TO BE APPROVED BY EXTENET SYSTEMS. THE CONTRACTOR SHALL BE RESPONSIBLE FOR COORDINATING HIS/HER WORK WITH THE WORK AND CLEARANCES REQUIRED BY OTHERS RELATED TO SAID INSTALLATIONS.



INTERNAL REVIEW	
CONSTRUCTION SIGNATURE	DATE
RF SIGNATURE	DATE
REAL ESTATE SIGNATURE	DATE



## BLACK & VEATCH

BLACK & VEATCH CORPORATION  
2999 OAK ROAD  
SUITE 490  
WALNUT CREEK, CA 94597

THESE DRAWINGS ARE COPYRIGHTED AND ARE THE PROPERTY OF BLACK & VEATCH; PRODUCED SOLELY FOR THE USE OF OUR CLIENT. ANY REPRODUCTION OR USE OF THE INFORMATION CONTAINED WITHIN SAID DRAWINGS IS PROHIBITED WITHOUT WRITTEN CONSENT BY BLACK & VEATCH.

PROJECT NO.	DRAWN BY	CHECKED BY
192417.4551	MBS	GAC

REV	DATE	DESCRIPTION
B	10/05/16	ISSUED FOR REVIEW
A	09/15/16	ISSUED FOR REVIEW

PRELIMINARY

IT IS A VIOLATION OF LAW FOR ANY PERSON, UNLESS THEY ARE ACTING UNDER THE DIRECTION OF A LICENSED PROFESSIONAL ENGINEER, TO ALTER THIS DOCUMENT.

EXTENET SYSTEMS (CA) LLC  
2000 CROW CANYON PLACE  
SUITE 210  
SAN RAMON, CA 94583

SITE ADDRESS  
ADJACENT TO (IN PROW)  
2215 86TH AVENUE  
OAKLAND, CA 94605

SHEET TITLE  
TITLE SHEET

SHEET NUMBER

**T-1**

## SHEET INDEX

SHEET NO:	SHEET TITLE
T-1	TITLE SHEET
GN-1	GENERAL NOTES AND LEGEND
C-1	OVERALL SITE PLAN
C-2	UTILITY POLE ELEVATIONS AND RISER DETAILS
C-3	EQUIPMENT DETAILS
C-4	EQUIPMENT DETAILS

## Attachment A

IF USING 11"X17" PLOT, DRAWINGS WILL BE HALF SCALE

SUBCONTRACTOR SHALL VERIFY ALL PLANS & EXISTING DIMENSIONS & CONDITIONS ON THE JOB SITE & SHALL IMMEDIATELY NOTIFY THE ENGINEER IN WRITING OF ANY DISCREPANCIES BEFORE PROCEEDING WITH THE WORK OR BE RESPONSIBLE FOR SAME

## PROJECT INFORMATION

### POLE OWNER

OWNER: EXTENET SYSTEMS CA, LLC  
  
ADDRESS: 2000 CROW CANYON PL SUITE 210,  
SAN RAMON, CA 94583  
  
PHONE: -

### APPLICANT

COMPANY: EXTENET SYSTEMS  
(CALIFORNIA), LLC.  
  
CONTACT: MATTHEW YERGOVICH  
  
ADDRESS: 2000 CROW CANYON PLACE, SUITE 210  
SAN RAMON, CA  
94583  
  
PHONE: (415) 596-3474  
  
E-MAIL: MYERGOVICH@  
EXTENETSYSTEMS.COM

### AGENT

COMPANY: BLACK & VEATCH  
  
CONTACT: ANA GOMEZ  
  
ADDRESS: 2999 OAK ROAD,  
SUITE 490  
WALNUT CREEK,  
CA 94597  
  
PHONE: (913) 458-9148  
  
E-MAIL: GOMEZABARCAA@BV.COM

### ENGINEER

COMPANY: BLACK & VEATCH  
  
ENGINEER: AARON EVANS  
  
PHONE: (952) 896-0751  
  
E-MAIL: EVANSRA@BV.COM

### PROJECT DATA

LATITUDE: 37.757099'  
LONGITUDE: -122.167866'  
POLE #: 110150243  
ELEVATION: NA  
ZONING JURISDICTION: CITY OF OAKLAND  
ZONING DISTRICT: RM-3  
NEAREST A.P.N.: 43-4570-18  
OCCUPANCY: U, UNMANNED  
CONSTRUCTION TYPE: ATTACHMENTS TO A WOOD UTILITY POLE  
TITLE 24 REQUIREMENTS: FACILITY IS UNMANNED AND NOT FOR HUMAN HABITATION. THIS PROJECT IS EXEMPT.



UNDERGROUND  
SERVICE ALERT  
UTILITIES PROTECTION CENTER, INC.  
811

48 HOURS BEFORE YOU DIG



**GENERAL NOTES**

1. THESE NOTES SHALL BE CONSIDERED A PART OF THE WRITTEN SPECIFICATIONS, CONTRACT AND CONSTRUCTION DOCUMENTS.
2. THE WORK SHALL INCLUDE FURNISHING MATERIALS, EQUIPMENT, APPURTENANCES, AND LABOR NECESSARY TO COMPLETE ALL INSTALLATIONS AS INDICATED ON THESE PLANS AND IN THE CONTRACT DOCUMENTS.
3. PRIOR TO THE SUBMISSION OF BIDS, THE CONTRACTOR(S) SHALL VISIT THE JOB SITE(S) AND BE RESPONSIBLE FOR ALL CONTRACT DOCUMENTS, FIELD CONDITIONS AND DIMENSIONS, AND CONFIRM THAT THE WORK MAY BE ACCOMPLISHED PER THE CONTRACT DOCUMENTS. ANY DISCREPANCIES ARE TO BE BROUGHT TO THE ATTENTION OF THE IMPLEMENTATION ENGINEER AND ARCHITECT/ENGINEER PRIOR TO BID SUBMITTAL.
4. THE CONTRACTOR SHALL RECEIVE WRITTEN AUTHORIZATION TO PROCEED ON ANY WORK NOT CLEARLY DEFINED OR IDENTIFIED IN THE CONTRACT AND CONSTRUCTION DOCUMENTS BEFORE STARTING ANY WORK.
5. ALL WORK PERFORMED AND MATERIALS INSTALLED SHALL BE IN STRICT ACCORDANCE WITH ALL APPLICABLE CODES, REGULATIONS, AND ORDINANCES, INCLUDING APPLICABLE MUNICIPAL AND UTILITY COMPANY SPECIFICATIONS.
6. THE CONTRACTOR SHALL INSTALL ALL EQUIPMENT AND MATERIALS IN ACCORDANCE WITH MANUFACTURER RECOMMENDATIONS. IF THESE RECOMMENDATIONS ARE IN CONFLICT WITH THE CONTRACT AND CONSTRUCTION DOCUMENTS AND/OR APPLICABLE CODES OR REGULATIONS, REVIEW AND RESOLVE THE CONFLICT WITH DIRECTION FROM THE IMPLEMENTATION ENGINEER AND ARCHITECT/ENGINEER PRIOR TO PROCEEDING.
7. THE CONTRACTOR SHALL BE SOLELY RESPONSIBLE FOR ALL CONSTRUCTION MEANS, METHODS, TECHNIQUES, SEQUENCES, AND PROCEDURES AND FOR COORDINATION OF ALL PORTIONS OF THE WORK UNDER THE CONTRACT INCLUDING CONTACT AND COORDINATION WITH THE IMPLEMENTATION ENGINEER AND WITH THE AUTHORIZED REPRESENTATIVE OF ANY OUTSIDE POLE OR PROPERTY OWNER.
8. THE CONTRACTOR SHALL MAKE NECESSARY PROVISIONS TO PROTECT EXISTING IMPROVEMENTS, INCLUDING BUT NOT LIMITED TO PAVING, CURBS, VEGETATION, GALVANIZED SURFACE OR OTHER EXISTING ELEMENTS AND UPON COMPLETION OF THE WORK, REPAIR ANY DAMAGE THAT OCCURRED DURING CONSTRUCTION TO THE SATISFACTION OF EXTENET.
9. CONTRACTOR IS TO KEEP THE GENERAL AREA CLEAN, HAZARD FREE, AND DISPOSE OF ALL DIRT, DEBRIS, RUBBISH, AND REMOVE EQUIPMENT NOT SPECIFIED AS REMAINING ON THE PROPERTY. LEAVE PREMISES IN CLEAN CONDITION DAILY.
10. PLANS ARE INTENDED TO BE DIAGRAMMATIC ONLY AND SHOULD NOT BE SCALED UNLESS OTHERWISE NOTED. RELY ONLY ON ANNOTATED DIMENSIONS AND REQUEST INFORMATION IF ADDITIONAL DIMENSIONS ARE REQUIRED.
11. THE EXISTENCE AND LOCATION OF UTILITIES AND OTHER AGENCY'S FACILITIES WERE OBTAINED BY A SEARCH OF AVAILABLE RECORDS. OTHER FACILITIES MAY EXIST. CONTRACTOR SHALL VERIFY LOCATIONS PRIOR TO START OF CONSTRUCTION AND USE EXTREME CARE AND PROTECTIVE MEASURES TO PREVENT DAMAGE TO THESE FACILITIES. CONTRACTOR IS RESPONSIBLE FOR THE PROTECTION OF UTILITIES OR OTHER AGENCY'S FACILITIES WITHIN THE LIMITS OF THE WORK. WHETHER THEY ARE IDENTIFIED IN THE CONTRACT DOCUMENTS OR NOT.
12. THE CONTRACTOR SHALL NOTIFY UNDERGROUND SERVICE ALERT (800) 227-2600, AT LEAST TWO WORKING DAYS PRIOR TO THE START OF ANY EXCAVATION.

**DEFINITIONS**

1. "TYPICAL" OR "TYP" MEANS THAT THIS ITEM IS SUBSTANTIALLY THE SAME ACROSS SIMILAR CONDITIONS. "TYP." SHALL BE UNDERSTOOD TO MEAN "TYPICAL WHERE OCCURS" AND SHALL NOT BE CONSIDERED AS WITHOUT EXCEPTION OR CONSIDERATION OF SPECIFIC CONDITIONS.
2. "SIMILAR" MEANS COMPARABLE TO CHARACTERISTICS FOR THE CONDITION NOTED. VERIFY DIMENSIONS AND ORIENTATION ON PLAN.
3. "AS REQUIRED" MEANS AS REQUIRED BY REGULATORY REQUIREMENTS, BY REFERENCED STANDARDS, BY EXISTING CONDITIONS, BY GENERALLY ACCEPTED CONSTRUCTION PRACTICE, OR BY THE CONTRACT DOCUMENTS.
4. "ALIGN" MEANS ACCURATELY LOCATE FINISH FACES OF MATERIALS IN THE SAME PLANE.
5. THE TERM "VERIFY" OR "V.I.F." SHALL BE UNDERSTOOD TO MEAN "VERIFY IN FIELD WITH ENGINEER" AND REQUIRES THAT THE CONTRACTOR CONFIRM INTENTION REGARDING NOTED CONDITION AND PROCEED ONLY AFTER RECEIVING DIRECTION.
6. WHERE THE WORDS "OR EQUAL" OR WORDS OF SIMILAR INTENT FOLLOW A MATERIAL SPECIFICATION, THEY SHALL BE UNDERSTOOD TO REQUIRE SIGNED APPROVAL OF ANY DEVIATION TO SAID SPECIFICATION PRIOR TO CONTRACTOR'S ORDERING OR INSTALLATION OF SUCH PROPOSED EQUAL PRODUCT.
7. FURNISH : SUPPLY ONLY, OTHERS TO INSTALL. INSTALL: INSTALL ITEMS FURNISHED BY OTHERS. PROVIDE: FURNISH AND INSTALL.

**FIELD WELDING NOTES:**

1. WELDING TO BE PERFORMED BY AWS CERTIFIED WELDER FOR THE TYPE OF AND POSITION INDICATED. ALL WORK MUST BE IN CONFORMANCE WITH LATEST EDITION OF AWS D1.1.
2. GRIND SURFACES TO BE WELDED WITH A SILICON CARBIDE WHEEL PRIOR TO WELDING TO REMOVE ALL GALVANIZING WHICH MAY OTHERWISE BE CONSUMED IN THE WELD METAL. APPLY ANTI-SPATTER COMPOUND AFTER GRINDING.
3. WELDING TECHNIQUE MUST MINIMIZE TEMPERATURE RISE ON THE INSIDE SURFACE OF THE POLE AND ALSO VOLATIZE ANY REMAINING ZINC WITHIN THE BASE METAL WITH MINIMUM SPATTER, USE AN E70 (LOW HYDROGEN) ELECTRODE. USE LARGEST DIAMETER ELECTRODE COMPATIBLE WITH WELDING POSITION AND MATERIAL THICKNESS. STRICTLY FOLLOW ALL MANUFACTURE'S INSTRUCTIONS FOR STORAGE AND USE OF ELECTRODES. AVOID REMOVING ELECTRODES FROM MANUFACTURE'S PACKAGING UNTIL READY FOR IMMEDIATE USE.
4. WELDING MAY PRODUCE TOXIC FUMES. REFER TO ANSI STANDARD Z49.1 "SAFETY IN WELDING AND CUTTING" FOR PROPER PRECAUTIONS.
5. UPON COMPLETION OF WELDING, APPLY GALV-A-STICK ZINC COATING TO ALL UNPROTECTED SURFACES. APPLY A SECOND LAYER OF COLD GALVANIZING SPRAY COMPOUND CONTAINING A MINIMUM ZINC CONTENT OF 95%. IF NECESSARY, APPLY A FINAL COAT OF COMPATIBLE PAINT TO MATCH SURROUNDING SURFACES.

**ANTENNA MOUNTING**

1. DESIGN AND CONSTRUCTION OF ANTENNA SUPPORTS SHALL CONFORM TO CURRENT ANSI/TIA-222 OR APPLICABLE LOCAL CODES.
2. ALL STEEL MATERIALS SHALL BE GALVANIZED AFTER FABRICATION IN ACCORDANCE WITH ASTM A123 "ZINC (HOT-DIP GALVANIZED) COATINGS ON IRON AND STEEL PRODUCTS", UNLESS NOTED OTHERWISE.
3. ALL BOLTS, ANCHORS AND MISCELLANEOUS HARDWARE SHALL BE GALVANIZED IN ACCORDANCE WITH ASTM A153 "ZINC-COATING (HOT-DIP) ON IRON AND STEEL HARDWARE", UNLESS NOTED OTHERWISE.
4. DAMAGED GALVANIZED SURFACES SHALL BE REPAIRED BY COLD GALVANIZING IN ACCORDANCE WITH ASTM A780.
5. ALL ANTENNA MOUNTS SHALL BE INSTALLED WITH LOCK NUTS, DOUBLE NUTS AND SHALL BE TORQUED TO MANUFACTURER'S RECOMMENDATIONS.
6. CONTRACTOR SHALL INSTALL ANTENNA PER MANUFACTURER'S RECOMMENDATION FOR INSTALLATION AND GROUNDING.
7. PRIOR TO SETTING ANTENNA AZIMUTHS AND DOWNTILTS, ANTENNA CONTRACTOR SHALL CHECK THE ANTENNA MOUNT FOR TIGHTNESS AND ENSURE THAT THEY ARE PLUMB. ANTENNA AZIMUTHS SHALL BE SET FROM TRUE NORTH AND BE ORIENTED WITHIN +/- 5% AS DEFINED BY THE RFDS. ANTENNA DOWNTILTS SHALL BE WITHIN +/- 0.5% AS DEFINED BY THE RFDS.

**TORQUE REQUIREMENTS**

1. ALL RF CONNECTIONS SHALL BE TIGHTENED BY A TORQUE WRENCH.
2. ALL RF CONNECTIONS, GROUNDING HARDWARE AND ANTENNA HARDWARE SHALL HAVE A TORQUE MARK INSTALLED IN A CONTINUOUS STRAIGHT LINE FROM BOTH SIDES OF THE CONNECTION.
  - A. RF CONNECTION BOTH SIDES OF THE CONNECTOR.
  - B. GROUNDING AND ANTENNA HARDWARE ON THE NUT SIDE STARTING FROM THE THREADS TO THE SOLID SURFACE. EXAMPLE OF SOLID SURFACE: GROUND BAR, ANTENNA BRACKET METAL.
3. ALL 8M ANTENNA HARDWARE SHALL BE TIGHTENED TO 9 LB-FT (12 NM).
4. ALL 12M ANTENNA HARDWARE SHALL BE TIGHTENED TO 43 LB-FT (58 NM).
5. ALL GROUNDING HARDWARE SHALL BE TIGHTENED UNTIL THE LOCK WASHER COLLAPSES AND THE GROUNDING HARDWARE IS NO LONGER LOOSE.
6. ALL DIN TYPE CONNECTIONS SHALL BE TIGHTENED TO 18-22 LB-FT (24.4 - 29.8 NM).
7. ALL N TYPE CONNECTIONS SHALL BE TIGHTENED TO 15-20 LB-IN (1.7 - 2.3 NM).

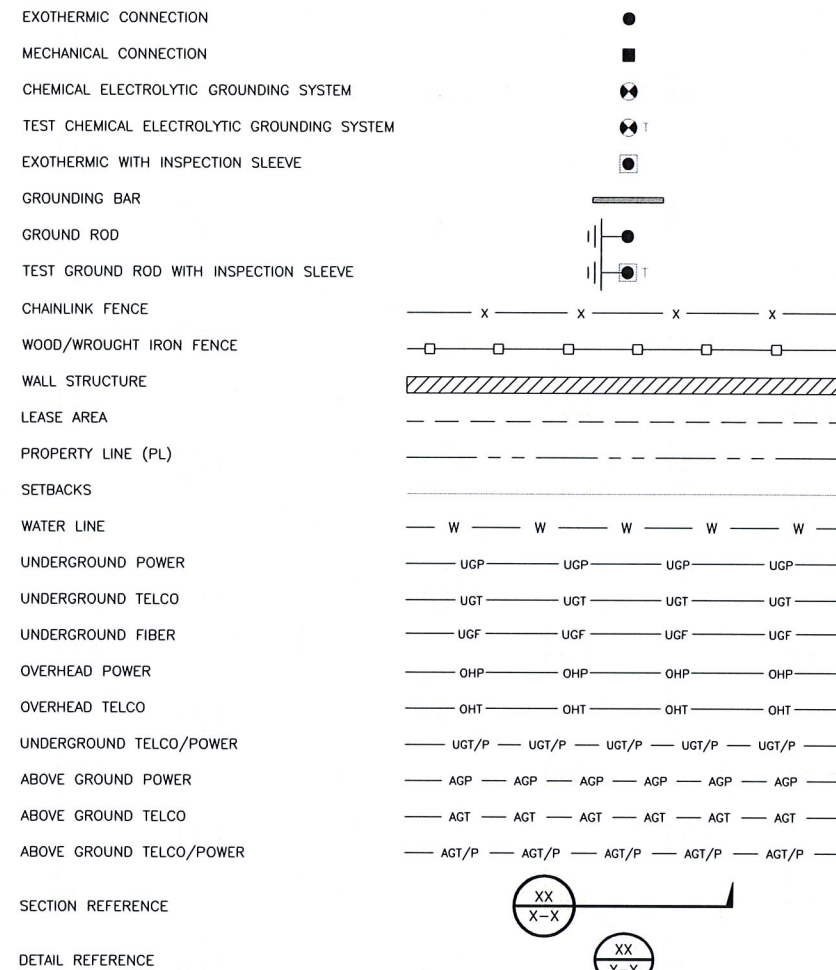
**ROW UTILITY POLE CONSTRUCTION NOTES**

1. NO BOLT THREADS TO PROTRUDE MORE THAN 1-1/2" [0.38M].
2. FILL ALL HOLES LEFT IN POLE FROM REARRANGEMENT OF CLIMBERS.
3. ALL CLIMB STEPS NEXT TO CONDUIT SHALL HAVE EXTENDED STEPS.
4. CABLE NOT TO IMPEDE 15" [381M] CLEAR SPACE OFF POLE FACE (12:00).
5. 90 SHORT SWEEPS UNDER ANTENNA ARM. ALL CABLES MUST ONLY TRANSITION ON THE INSIDE OR BOTTOM OF ARMS (NO CABLE ON TOP OF ARMS).
6. USE 90 CONNECTOR AT CABLE CONNECTION TO ANTENNAS.
7. USE 1/2" [.013M] CABLE ON ANTENNAS UNLESS OTHERWISE SPECIFIED.
8. FILL VOID AROUND CABLES AT CONDUIT OPENING WITH FOAM SEALANT TO PREVENT WATER INTRUSION.

**NODE SITE POWER SHUT DOWN PROCEDURES**

1. FOR NON EMERGENCY/SCHEDULED POWER SHUT DOWN
  - A. CALL EXTENET SYSTEMS NOC (NETWORK OPERATIONS CENTER) (866)892-5327
  - B. 24 HOURS PRIOR TO SCHEDULED POWER SHUT OFF
  - C. PROVIDE THE FOLLOWING INFORMATION
    - NOC SITE NUMBER IDENTIFIED ON SITE NUMBERING STICKER
    - YOUR NAME AND REASON FOR POWER SHUTOFF
    - PROVIDE DURATION OF OUTAGE
  - D. UNLOCK DISCONNECT BOX, FLIP BOTH BREAKERS TO THE OFF POSITION
  - E. POWER SHUT OFF VERIFICATION WITH APPROVED PG&E PROCEDURES
  - F. NOTIFY EXTENET NOC UPON COMPLETION OF WORK
  - G. REINSTALL LOCK ON DISCONNECT BOX
2. EMERGENCY POWER SHUT OFF
  - A. CALL EXTENET SYSTEMS NOC (NETWORK OPERATIONS CENTER) (866)892-5327
  - B. PROVIDE THE FOLLOWING INFORMATION
    - NOC SITE NUMBER IDENTIFIED ON SITE NUMBERING STICKER
    - YOUR NAME AND REASON FOR POWER SHUTOFF
    - PROVIDE DURATION OF OUTAGE
  - D. UNLOCK DISCONNECT BOX, FLIP BOTH BREAKERS TO THE OFF POSITION
  - E. POWER SHUT OFF VERIFICATION WITH APPROVED PG&E PROCEDURES
  - F. NOTIFY EXTENET NOC UPON COMPLETION OF WORK
  - G. REINSTALL LOCK ON DISCONNECT BOX

**LEGEND**



INTERNAL REVIEW	
CONSTRUCTION SIGNATURE	DATE
RF SIGNATURE	DATE
REAL ESTATE SIGNATURE	DATE

**BLACK & VEATCH**

BLACK & VEATCH CORPORATION  
2999 OAK ROAD  
SUITE 490  
WALNUT CREEK, CA 94597

THESE DRAWINGS ARE COPYRIGHTED AND ARE THE PROPERTY OF BLACK & VEATCH; PRODUCED SOLELY FOR THE USE OF OUR CLIENT. ANY REPRODUCTION OR USE OF THE INFORMATION CONTAINED WITHIN SAID DRAWINGS IS PROHIBITED WITHOUT WRITTEN CONSENT BY BLACK & VEATCH.

PROJECT NO.	DRAWN BY	CHECKED BY
192417.4551	MBS	GAC

REV	DATE	DESCRIPTION
B	10/05/16	ISSUED FOR REVIEW
A	09/15/16	ISSUED FOR REVIEW

PRELIMINARY

IT IS A VIOLATION OF LAW FOR ANY PERSON, UNLESS THEY ARE ACTING UNDER THE DIRECTION OF A LICENSED PROFESSIONAL ENGINEER, TO ALTER THIS DOCUMENT.

EXTENET SYSTEMS (CA) LLC  
2000 CROW CANYON PLACE  
SUITE 210  
SAN RAMON, CA 94583

SITE ADDRESS  
ADJACENT TO (IN PROW)  
2215 86TH AVENUE  
OAKLAND, CA 94605

SHEET TITLE  
GENERAL NOTES  
AND LEGEND

SHEET NUMBER  
**GN-1**



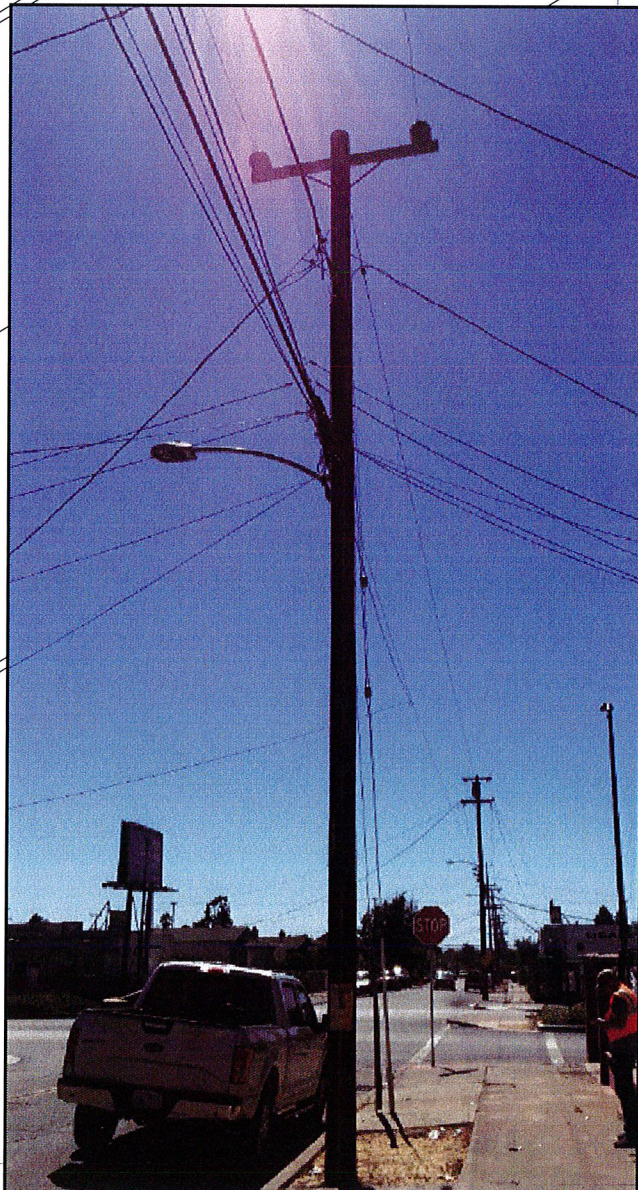
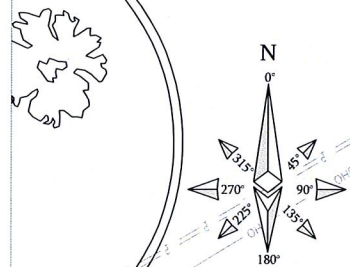
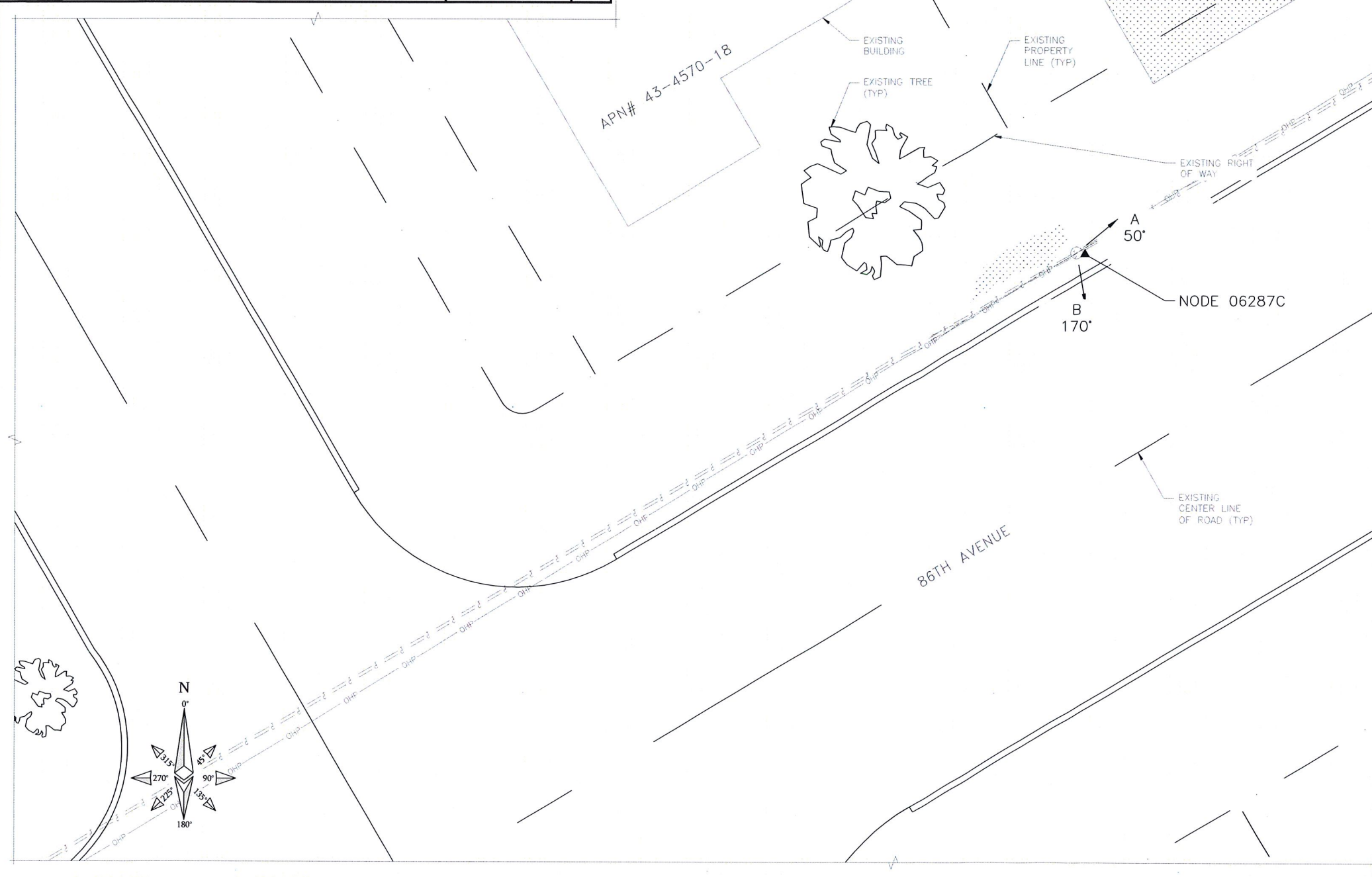


SITE PLAN PHOTO

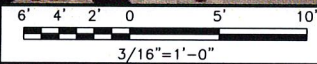
NO SCALE

A

THIS DRAWING IS NOT A SITE SURVEY  
 THE PURPOSE OF THIS DRAWING IS TO SHOW HOW THE DEVELOPED SITE RELATES TO THE PARENT PARCEL AND ADJACENT PROPERTIES. R.O.W. MEASUREMENTS ARE APPROXIMATIONS.



OVERALL SITE PLAN



INTERNAL REVIEW	
CONSTRUCTION SIGNATURE	DATE
RF SIGNATURE	DATE
REAL ESTATE SIGNATURE	DATE

**BLACK & VEATCH**  
 BLACK & VEATCH CORPORATION  
 2999 OAK ROAD  
 SUITE 490  
 WALNUT CREEK, CA 94597

THESE DRAWINGS ARE COPYRIGHTED AND ARE THE PROPERTY OF BLACK & VEATCH; PRODUCED SOLELY FOR THE USE OF OUR CLIENT. ANY REPRODUCTION OR USE OF THE INFORMATION CONTAINED WITHIN SAID DRAWINGS IS PROHIBITED WITHOUT WRITTEN CONSENT BY BLACK & VEATCH.

PROJECT NO.	DRAWN BY	CHECKED BY
192417.4551	MBS	GAC

B	10/05/16	ISSUED FOR REVIEW
A	09/15/16	ISSUED FOR REVIEW
REV	DATE	DESCRIPTION

PRELIMINARY

IT IS A VIOLATION OF LAW FOR ANY PERSON, UNLESS THEY ARE ACTING UNDER THE DIRECTION OF A LICENSED PROFESSIONAL ENGINEER, TO ALTER THIS DOCUMENT.

EXTENET SYSTEMS (CA) LLC  
 2000 CROW CANYON PLACE  
 SUITE 210  
 SAN RAMON, CA 94583

SITE ADDRESS  
 ADJACENT TO (IN PROW)  
 2215 86TH AVENUE  
 OAKLAND, CA 94605

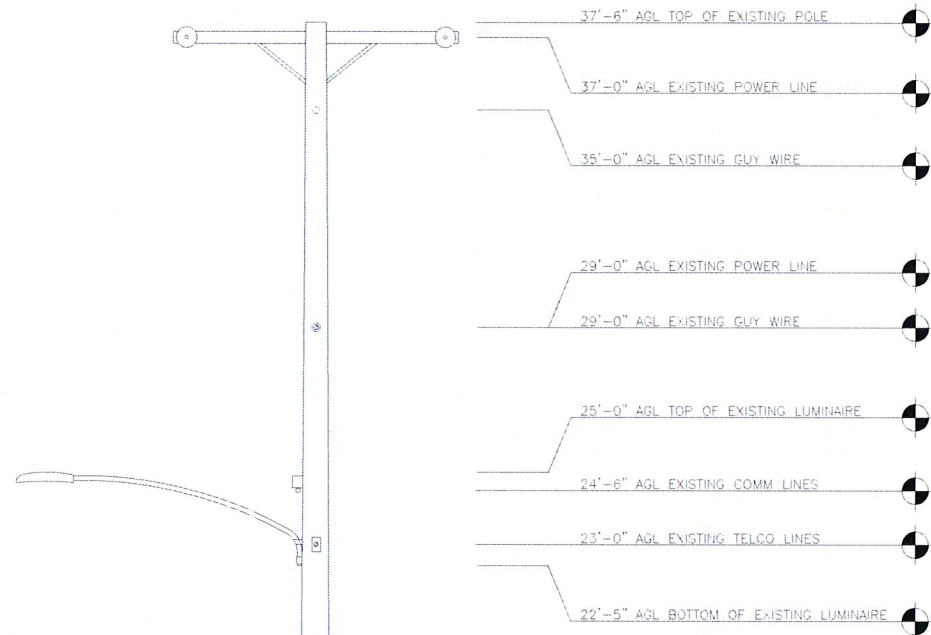
SHEET TITLE  
 OVERALL SITE PLAN

SHEET NUMBER  
**C-1**



**NOTE**

THESE DRAWINGS HAVE BEEN CREATED BASED ON THE ASSUMPTION THAT THE STRUCTURE HAS SUFFICIENT CAPACITY TO SUPPORT THE PROPOSED LOADING. IT IS THE RESPONSIBILITY OF THE POLE OWNER TO CONFIRM THAT THE PROPOSED LOADING IS WITHIN THE ORIGINAL DESIGN CAPACITY OF THE STRUCTURE.

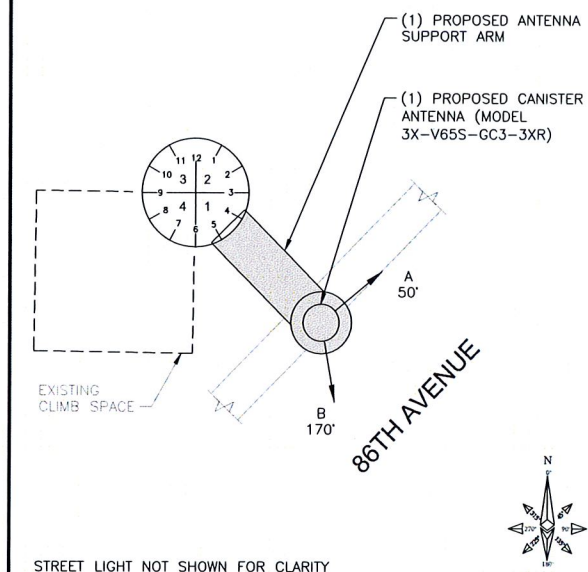
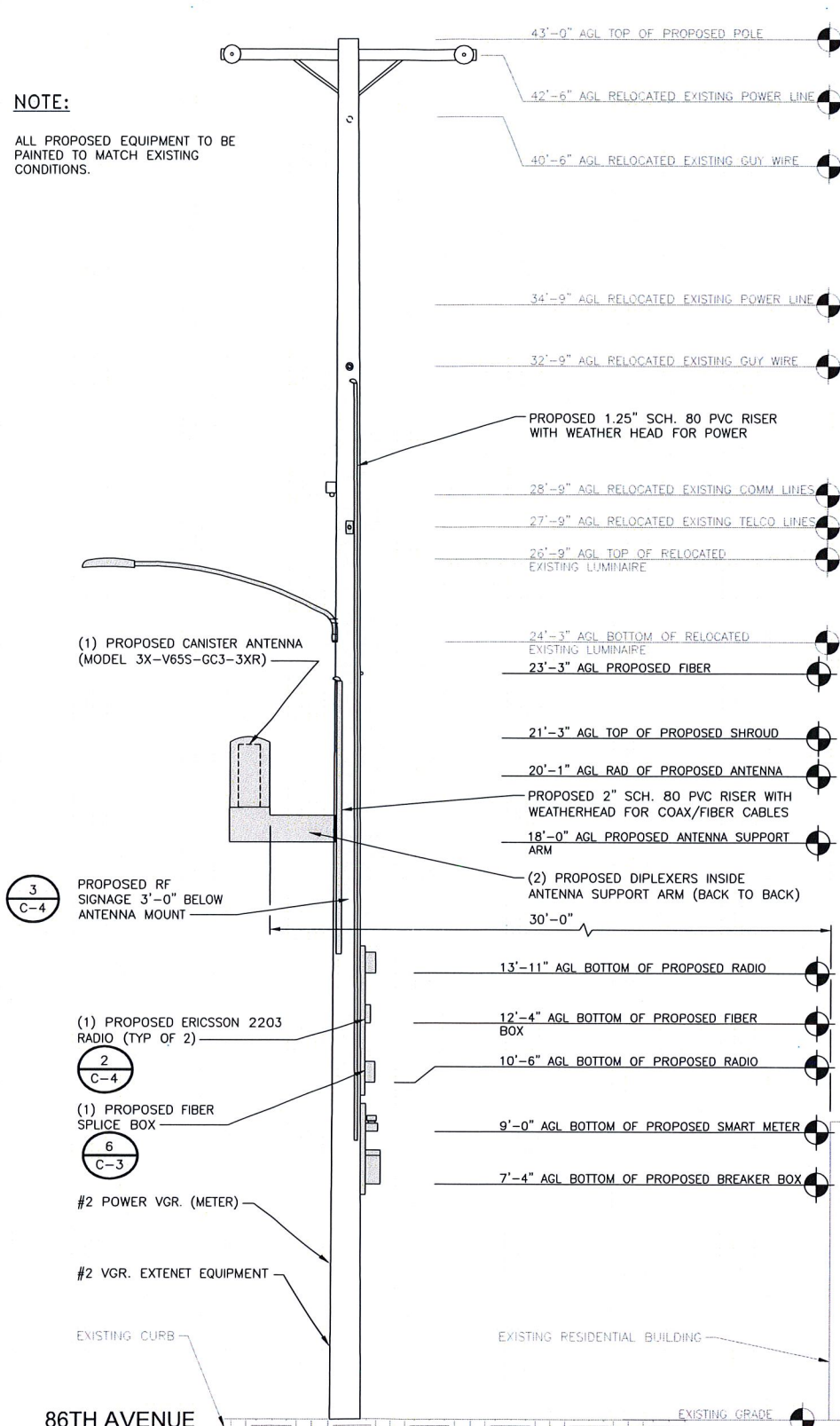


**CARRIER MAKE-READY**

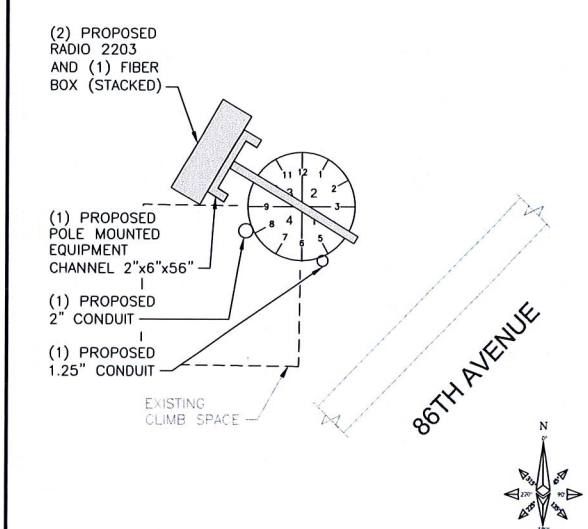
1. CONTRACTOR TO INSTALL (1)-7.9"Ø x 23.5" CANISTER ANTENNA w/ ANCILLARY ELECTRONICS AND HARDWARE ON PROPOSED ANTENNA SUPPORT ARM.
2. CONTRACTOR TO INSTALL (2) RADIOS w/ ANCILLARY ELECTRONICS AND HARDWARE ON PROPOSED CHANNEL MOUNTS.
3. CONTRACTOR TO INSTALL (1) 2" SCH. 80 PVC RISER CONDUIT FOR COAX AND FIBER CABLES.
4. CONTRACTOR TO INSTALL (1) BREAKER BOX/LOAD CENTER ON PROPOSED CHANNEL MOUNTS
5. CONTRACTOR TO INSTALL (1) PG&E SMART METER
6. CONTRACTOR TO INSTALL (1) 1.25" SCH. 80 PVC RISER WITH WEATHERHEAD FOR POWER
7. EXTENET APPROVED CONTRACTOR TO RELOCATE EXISTING POWER FROM 37'-0" TO 42'-6"
8. EXTENET APPROVED CONTRACTOR TO RELOCATE EXISTING GUY WIRE FROM 35'-0" TO 40'-6"
9. EXTENET APPROVED CONTRACTOR TO RELOCATE EXISTING POWER FROM 29'-0" TO 32'-9"
10. EXTENET APPROVED CONTRACTOR TO RELOCATE EXISTING GUY WIRE FROM 29'-0" TO 32'-9"
11. EXTENET APPROVED CONTRACTOR TO INSTALL FIBER LINE AT 23'-3"
12. EXTENET APPROVED CONTRACTOR TO INSTALL 50'-0" POLE SUNK 7'-0"
13. EXTENET APPROVED CONTRACTOR TO RELOCATE EXISTING COMM LINE FROM 24'-6" TO 28'-9"
14. EXTENET APPROVED CONTRACTOR TO RELOCATE EXISTING TELCO LINE FROM 23'-0" TO 27'-9"
15. EXTENET APPROVED CONTRACTOR TO RELOCATE EXISTING LUMINAIRE FROM 22'-5" TO 24'-3"
16. EXTENET APPROVED CONTRACTOR TO RELOCATE EXISTING POWER LINE FROM 32'-9" TO 34'-9".

**NOTE:**

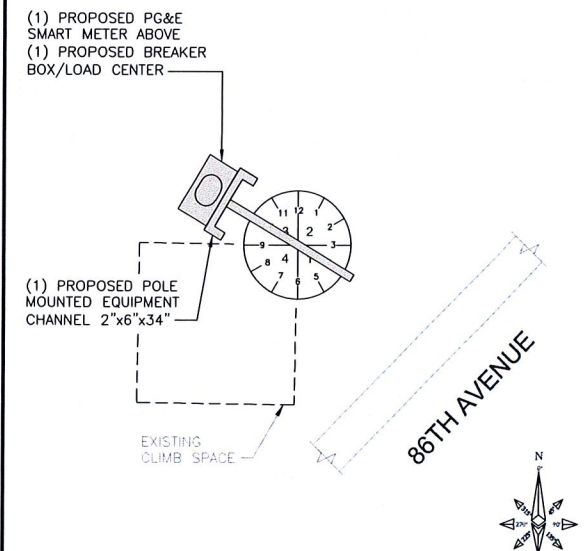
ALL PROPOSED EQUIPMENT TO BE PAINTED TO MATCH EXISTING CONDITIONS.



ANTENNA SPACE PLAN VIEW NO SCALE 1



RADIO SPACE PLAN VIEW NO SCALE 2



EQUIPMENT PLAN VIEW NO SCALE 3



INTERNAL REVIEW	
CONSTRUCTION SIGNATURE	DATE
RF SIGNATURE	DATE
REAL ESTATE SIGNATURE	DATE

**BLACK & VEATCH**  
 BLACK & VEATCH CORPORATION  
 2999 OAK ROAD  
 SUITE 490  
 WALNUT CREEK, CA 94597

THESE DRAWINGS ARE COPYRIGHTED AND ARE THE PROPERTY OF BLACK & VEATCH. PRODUCED SOLELY FOR THE USE OF OUR CLIENT. ANY REPRODUCTION OR USE OF THE INFORMATION CONTAINED WITHIN SAID DRAWINGS IS PROHIBITED WITHOUT WRITTEN CONSENT BY BLACK & VEATCH.

PROJECT NO.	DRAWN BY	CHECKED BY
192417.4551	MBS	GAC

REV	DATE	DESCRIPTION
B	10/05/16	ISSUED FOR REVIEW
A	09/15/16	ISSUED FOR REVIEW

PRELIMINARY

IT IS A VIOLATION OF LAW FOR ANY PERSON, UNLESS THEY ARE ACTING UNDER THE DIRECTION OF A LICENSED PROFESSIONAL ENGINEER, TO ALTER THIS DOCUMENT.

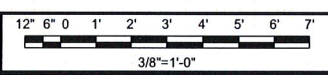
EXTENET SYSTEMS (CA) LLC  
 2000 CROW CANYON PLACE  
 SUITE 210  
 SAN RAMON, CA 94583

SITE ADDRESS  
 ADJACENT TO (IN PROW)  
 2215 86TH AVENUE  
 OAKLAND, CA 94605

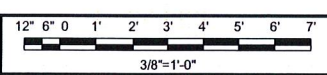
SHEET TITLE  
 UTILITY POLE ELEVATIONS  
 AND RISER DETAILS

SHEET NUMBER  
C-2

EXISTING NORTHEAST ELEVATION



PROPOSED NORTHEAST ELEVATION



EQUIPMENT PLAN VIEW

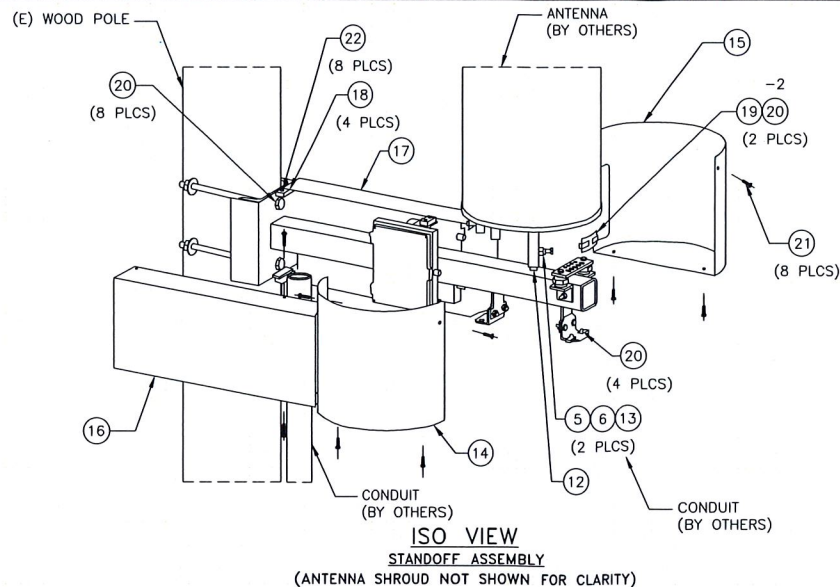
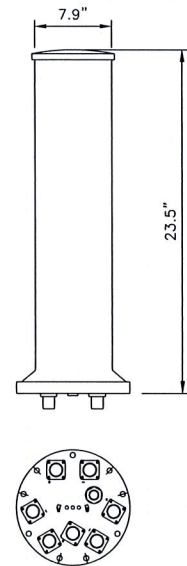
NO SCALE

3



**COMMSCOPE 3X-V65S-GC3-3XR**

RADOME COLOR: LIGHT GREY  
 RADOME MATERIAL: FIBERGLASS, UV RESISTANT  
 DIAMETER: 7.9" (200mm)  
 HEIGHT: 23.5" (596mm)  
 TOTAL WEIGHT (WITHOUT BRACKETS): 7.2 Kg (15.9 LB)  
 CONNECTOR INTERFACE: 4.1-9.5 DIN FEMALE  
 RF CONNECTOR LOCATION: BOTTOM  
 RF CONNECTOR QUANTITY: 6



ITEM #	PART #	DESCRIPTION	QTY.	UNIT WT. (lbs)
<b>STANDOFF ARM ASSEMBLY PARTS/HWDR</b>				
1	WA-714	3"x3"x3/16"x3"-2" STANDOFF ARM WLDMNT	1	43
2	SS-514	2"x2"x1/4"x2" A36, ANGLE	2	0.5
3	SS-516	2"x2"x1/8"x3" A36, ANGLE	2	0.4
4	15230	3/8"x1" A307 FULLY THD'D BOLT/NUT/LW, GALV.	4	0.1
5	41010	3/8"x1" A563-A HEX NUT, GALV.	2	0.01
6	51000	3/8"x1" A563-A HEX NUT, GALV.	2	0.01
7	80326	3/8"x6" A36 THRD ROD, GALV.	1	0.19
<b>BUS BAR ASSEMBLY PARTS / HWDR</b>				
8	PL-718	1/4"x2"x6" COPPER, BUS BAR	1	0.8
9	43010	3/8" LOCK COPPER, BUS BAR	4	0.01
10	71017	3/8"x5/8" FULLY THD'D S.S. BOLT	4	0.04
11	90060	3/8" STANDOFF INSULATOR (559640)	2	0.1
<b>ANTENNA / EQUIPMENT MOUNT PARTS / HWDR</b>				
12	WA-698	3/8"x7" O.D. A36, TOP CAP WLDMNT	1	2.2
13	16250F	3/8"x1 1/2" A307 FULLY THD'D BOLT, GALV.	2	0.1
14	41010	3/8" LOCK WASHER, GALV.	2	0.01
15	51000	3/8" A563 HEX NUT, GALV.	2	0.02
<b>SHROUD ASSEMBLY PARTS / HWDR</b>				
14	WA-715L	14GA.x13 1/16"x14 5/8" I.D. E.G., FORMED PLATE WLDMNT	1	8
15	WA-715R	14GA.x13 1/16"x14 5/8" I.D. E.G., FORMED PLATE WLDMNT	1	8
16	PL-1264	14GA.x17 5/8"x2'-0 7/8" E.G., FORMED COVER	1	9.9
17	PL-1267	14GA.x17 5/8"x2'-0 15/16" E.G., FORMED COVER	1	
18	PL-1581	1/2"x1"x2" A36, PLATE	4	0.3
19	14209-4	11GA.x1 1 1/2"x2 15/16" A36, FORMED PLATE	2	0.1
20	55500	1/4"-20 U-STYLE SPEED NUT, BLACK PHOSPHATE	16	0.02
21	70217	1/4"x1" SS FLGD BUTTON-HD SCKT CAP SCRW	18	0.02
22	70218	1/4"x1 1/4" SS FLGD BUTTON-HD SCKT CAP SCRW	18	0.003
				TOTAL GALV. WT. = 89lbs



INTERNAL REVIEW	
CONSTRUCTION SIGNATURE	DATE
RF SIGNATURE	DATE
REAL ESTATE SIGNATURE	DATE

BLACK & VEATCH CORPORATION  
 2999 OAK ROAD  
 SUITE 490  
 WALNUT CREEK, CA 94597

THESE DRAWINGS ARE COPYRIGHTED AND ARE THE PROPERTY OF BLACK & VEATCH; PRODUCED SOLELY FOR THE USE OF OUR CLIENT. ANY REPRODUCTION OR USE OF THE INFORMATION CONTAINED WITHIN SAID DRAWINGS IS PROHIBITED WITHOUT WRITTEN CONSENT BY BLACK & VEATCH.

PROJECT NO.	DRAWN BY	CHECKED BY
192417.4551	MBS	GAC

REV	DATE	DESCRIPTION
B	10/05/16	ISSUED FOR REVIEW
A	09/15/16	ISSUED FOR REVIEW

PRELIMINARY

IT IS A VIOLATION OF LAW FOR ANY PERSON, UNLESS THEY ARE ACTING UNDER THE DIRECTION OF A LICENSED PROFESSIONAL ENGINEER, TO ALTER THIS DOCUMENT.

EXTENET SYSTEMS (CA) LLC  
 2000 CROW CANYON PLACE  
 SUITE 210  
 SAN RAMON, CA 94583

SITE ADDRESS  
 ADJACENT TO (IN PROW)  
 2215 86TH AVENUE  
 OAKLAND, CA 94605

SHEET TITLE  
 EQUIPMENT DETAILS

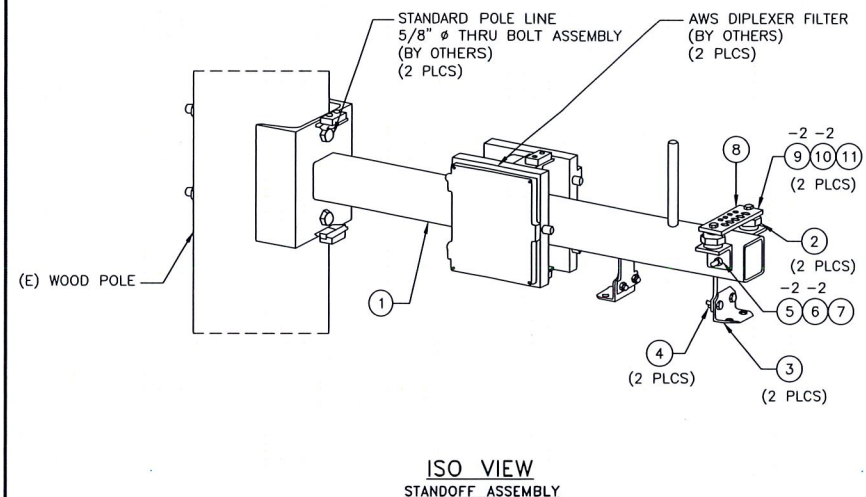
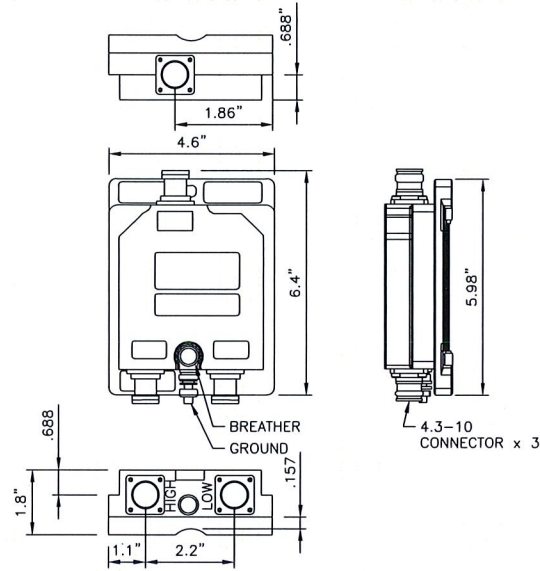
SHEET NUMBER  
**C-3**

**PROPOSED ANTENNA**

NO SCALE 1

**SIDE ARM ANTENNA MOUNT  
2'-0" STANDOFF FOR WOOD POLE**

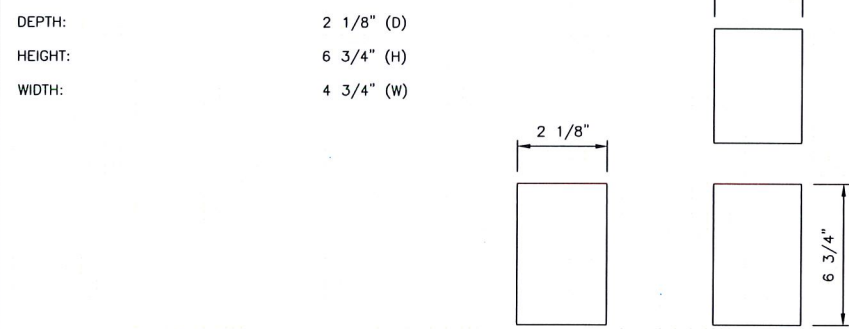
NO SCALE 2



**ANTENNA SHROUD PARTS TABLE**

NO SCALE 3

**F1-4868-FSS FUSION SPlice ENCLOSURE**



**COMMSCOPE CBC 1923-4310/ E11F13P20**

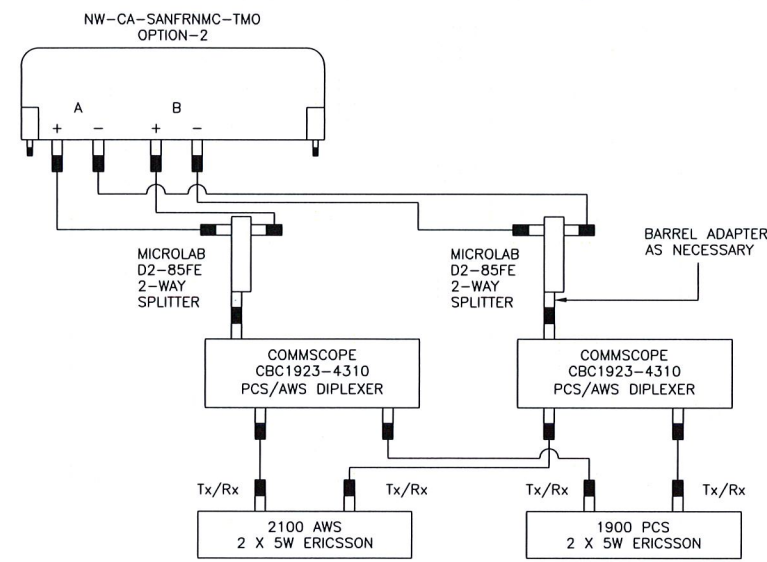
NO SCALE 4

**SIDE ARM ANTENNA MOUNT  
2'-0" STANDOFF FOR WOOD POLE**

NO SCALE 5

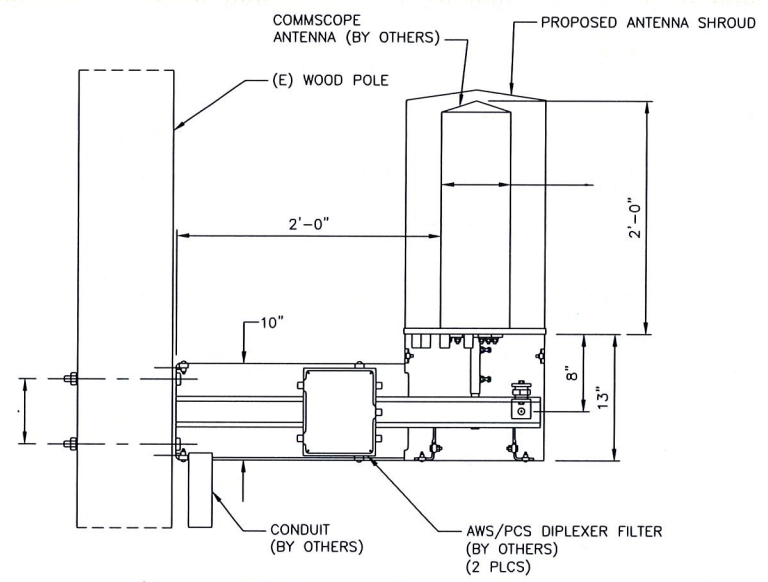
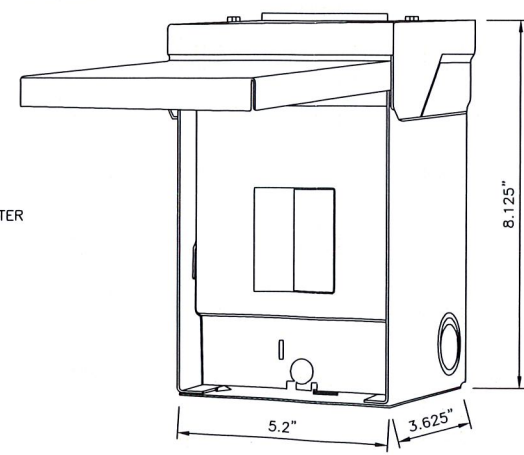
**FIBER SPlice BOX**

NO SCALE 6



**MURRAY LW002GRU SPECIFICATION**

**DIMENSIONS**  
 LOAD CENTER DEPTH: 3.625"  
 LOAD CENTER WIDTH: 5.2"  
 LOAD CENTER HEIGHT: 8.125"  
 WEIGHT: 4.55 LB  
 LOAD CENTER TYPE: MAIN LUG  
 MAX AMPERAGE: 60  
 MOUNTING TYPE: PLUG IN  
 NUMBER OF PHASES: 1  
 NUMBER OF SPACES: 2  
 VOLTAGE (VOLTS): 120/240  
 INDOOR/OUTDOOR: OUTDOOR  
 ELECTRICAL PRODUCT TYPE: LOAD CENTER



**ANTENNA CONFIGURATION**

NO SCALE 7

**MURRAY LW002GRU**

NO SCALE 8

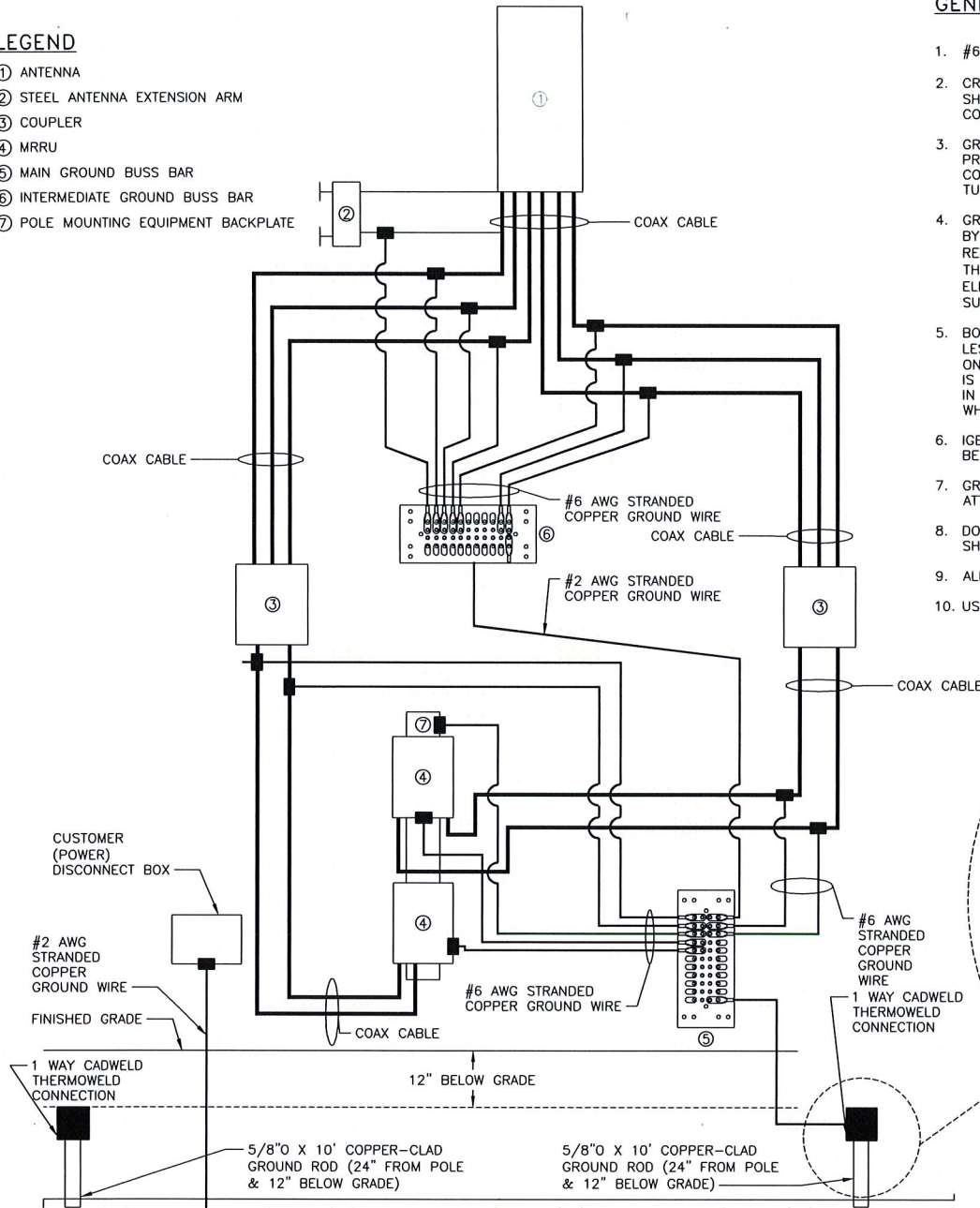
**SIDE ARM ANTENNA MOUNT  
2'-0" STANDOFF FOR WOOD POLE**

NO SCALE 9



**LEGEND**

- ① ANTENNA
- ② STEEL ANTENNA EXTENSION ARM
- ③ COUPLER
- ④ MRRU
- ⑤ MAIN GROUND BUSS BAR
- ⑥ INTERMEDIATE GROUND BUSS BAR
- ⑦ POLE MOUNTING EQUIPMENT BACKPLATE

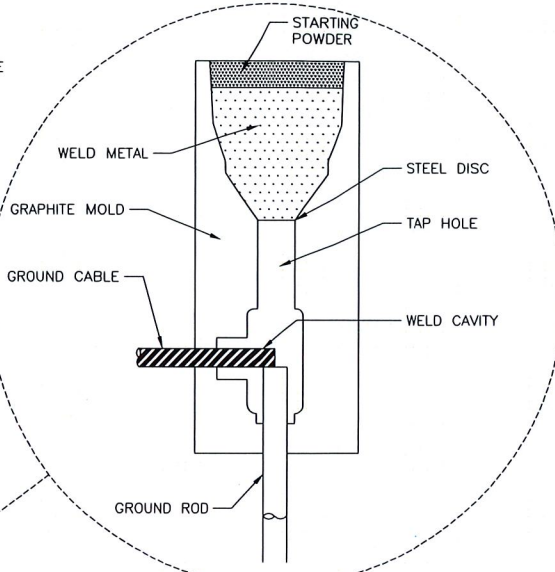


CONCEPTUAL WOOD POLE GROUNDING DETAIL

NO SCALE 1

**GENERAL GROUNDING NOTES**

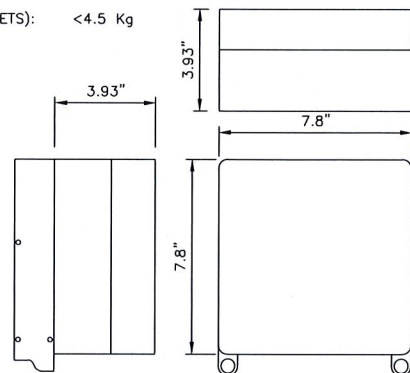
1. #6 GREEN COATED WIRE TO BE USED.
2. CRIMP (COMPRESSION) TYPE TWO HOLE BOLTED TONGUE CONNECTORS SHALL BE USED TO TERMINATE STRANDED GROUND CONDUCTORS. CONNECTORS SHALL BE TIN PLATED, LONG BARREL LUG.
3. GROUND WIRES SHALL BE INSERTED THE ENTIRE LENGTH OF THE LUG. PROVIDE ANTIOXIDANT COMPOUND ON THE CONDUCTOR BEFORE CRIMPING. CONTRACTOR TO INSTALL A TRANSPARENT HEAT SHRINK INSULATING TUBING ALONG ENTIRE LENGTH OF CRIMP.
4. GROUND CONDUCTORS RUN ALONG POLE SURFACE SHALL BE COVERED BY 3/8" HARD WOOD OR DOUGLAS FIR VGR WOOD MOLDING. CORROSION RESISTANT (GALVANIZED) STAPLE AT 2' INTERVALS TO BE USED FOR VGR. THE GROUNDING CONDUCTOR FROM THE GROUND ROD (GROUND ELECTRODE) TO THE MESSENGER SHALL BE CONTINUOUS, UNLESS SUITABLE ELECTRICAL COMPRESSION CONNECTIONS ARE USED.
5. BOND WIRES AND GROUND WIRES SHALL HAVE A CLEARANCE OF NOT LESS THAN 1 1/2" INCHES FROM METAL PINS, BOLTS, AND OTHER HARDWARE ON WOOD CROSSARMS AND WOOD POLES EXCEPT WHERE THE HARDWARE IS EXTENDED TO BE CONNECTED TO THE BOND OR GROUND WIRES, AND IN BEING SO CONNECTION DOES NOT VIOLATE OTHER RULES OF G095, IN WHICH CASE SUITABLE ELECTRICAL CONTACT SHALL BE MADE.
6. IGB TO BE MOUNTED DIRECTLY TO ANTENNA SUPPORT ARM. MGB TO BE MOUNTED DIRECTLY TO POLE MOUNT EQUIPMENT BACKPLATE.
7. GROUND BUSS BAR LENGTH TO VARY BASED ON NUMBER OF GROUND ATTACHMENTS.
8. DO NOT INSTALL CABLE GROUNDING KITS ON BENDS. CONTRACTOR SHALL ALWAYS DIRECT GROUND WIRE DOWN TO GROUND BAR.
9. ALL G095 & NEC GROUNDING RULES TO BE FOLLOWED AT ALL TIMES.
10. USE GROUND LUG TO BOND ANTENNA SUPPORT ARM TO IGB.



CADWELD THERMOWELD CONNECTOR

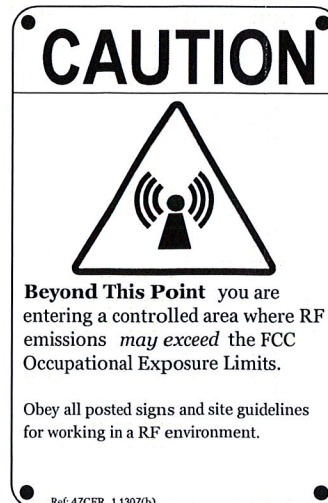
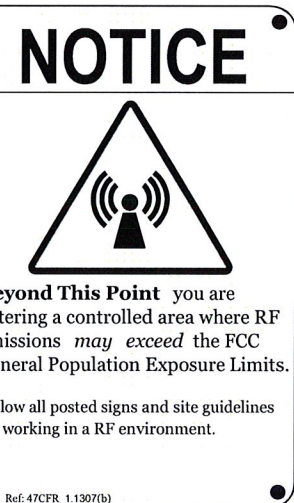
**ERICSSON RADIO 2203**

LENGTH: 7.8" (200MM)  
 WIDTH: 7.8" (200MM)  
 DEPTH: 3.93" (100MM)  
 TOTAL WEIGHT (WITHOUT BRACKETS): <4.5 Kg



RADIO SPECIFICATION DETAIL

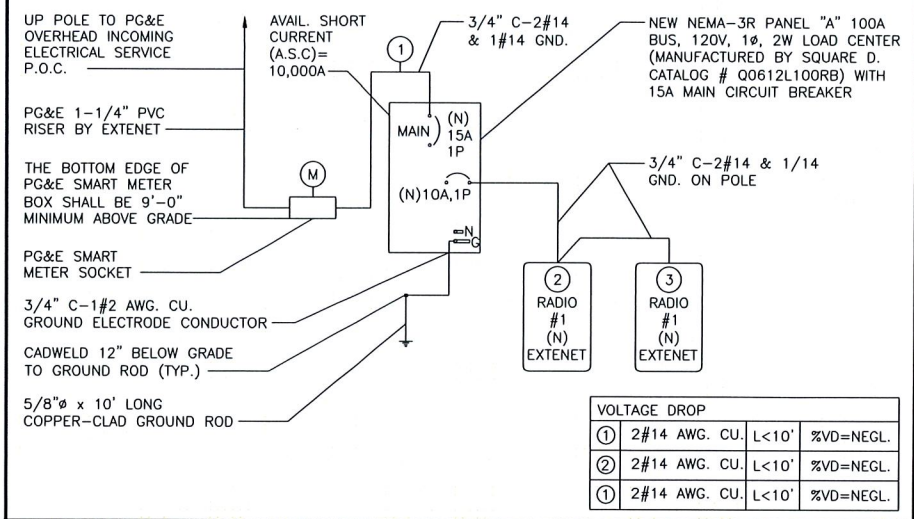
NO SCALE 2



NOTE: SPECIFIC EME PLACARD WILL BE PLACED AFTER EME REPORT

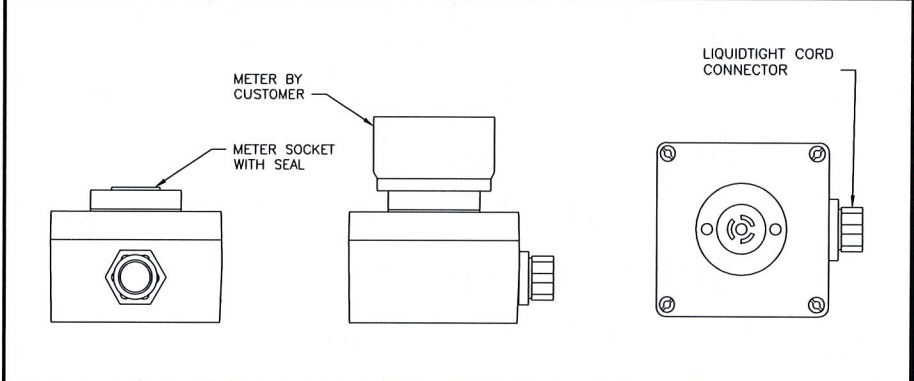
RF SIGNAGE DETAIL

NO SCALE 3

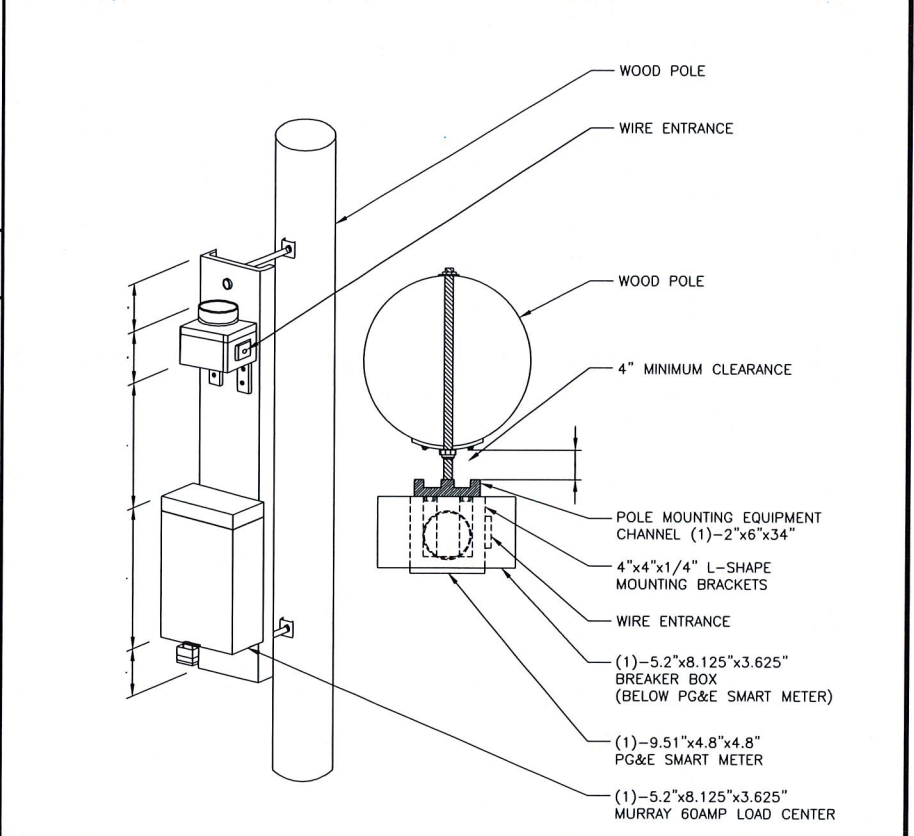


VOLTAGE DROP			
①	2#14 AWG. CU.	L<10'	%VD=NEGL.
②	2#14 AWG. CU.	L<10'	%VD=NEGL.
③	2#14 AWG. CU.	L<10'	%VD=NEGL.

CA-84C WITH 4.1-9.5 DIN CONNECTORS NO SCALE 4



PROPOSED METER ADAPTER NO SCALE 5



SMART METER/BREAKER BOX DETAIL NO SCALE 6



INTERNAL REVIEW	
CONSTRUCTION SIGNATURE	DATE
RF SIGNATURE	DATE
REAL ESTATE SIGNATURE	DATE

BLACK & VEATCH CORPORATION  
 2999 OAK ROAD  
 SUITE 490  
 WALNUT CREEK, CA 94597

THESE DRAWINGS ARE COPYRIGHTED AND ARE THE PROPERTY OF BLACK & VEATCH; PRODUCED SOLELY FOR THE USE OF OUR CLIENT. ANY REPRODUCTION OR USE OF THE INFORMATION CONTAINED WITHIN SAID DRAWINGS IS PROHIBITED WITHOUT WRITTEN CONSENT BY BLACK & VEATCH.

PROJECT NO.	DRAWN BY	CHECKED BY
192417.4551	MBS	GAC

REV	DATE	DESCRIPTION
B	10/05/16	ISSUED FOR REVIEW
A	09/15/16	ISSUED FOR REVIEW

PRELIMINARY

IT IS A VIOLATION OF LAW FOR ANY PERSON, UNLESS THEY ARE ACTING UNDER THE DIRECTION OF A LICENSED PROFESSIONAL ENGINEER, TO ALTER THIS DOCUMENT.

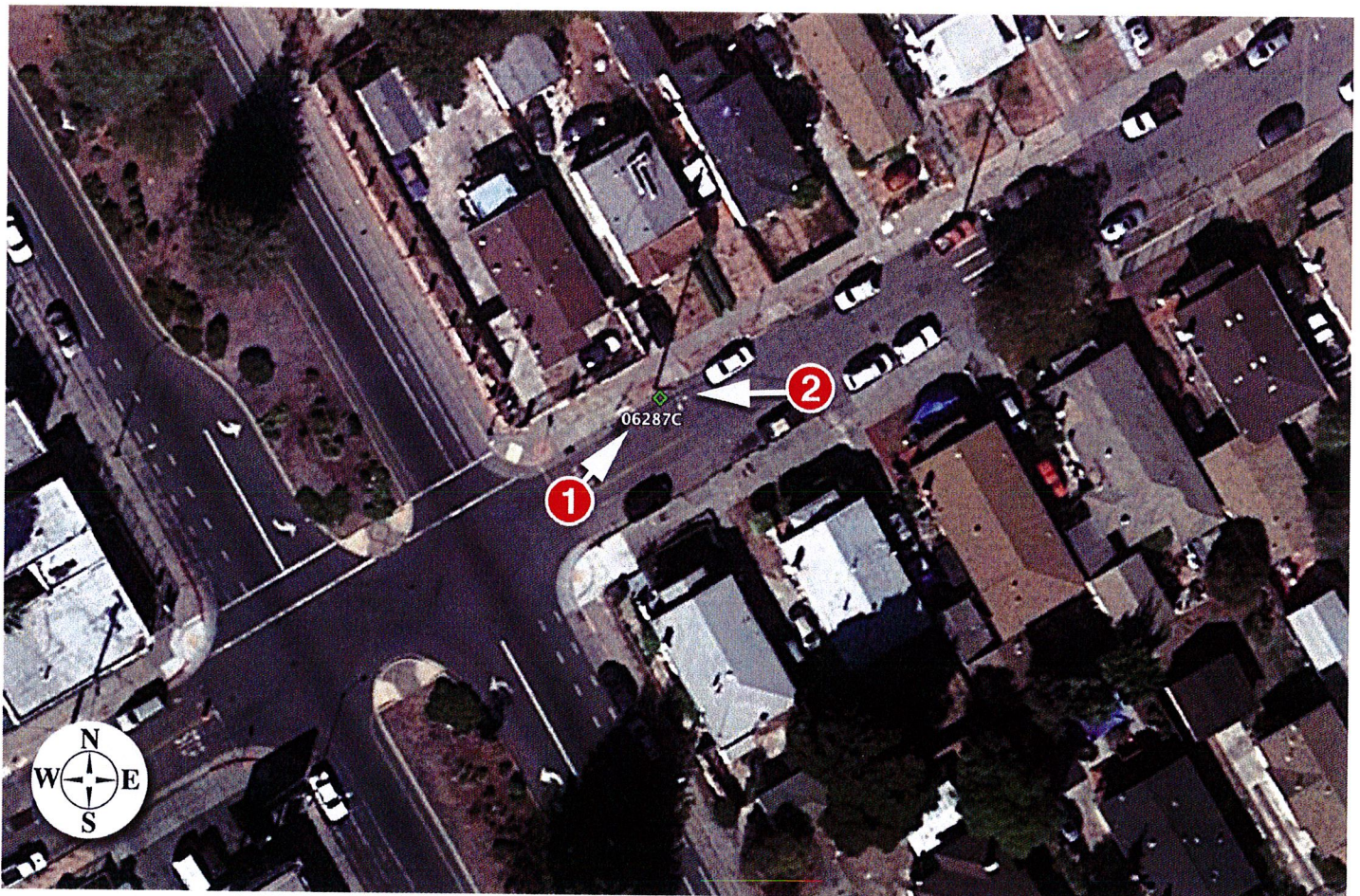
EXTENET SYSTEMS (CA) LLC  
 2000 CROW CANYON PLACE  
 SUITE 210  
 SAN RAMON, CA 94583

SITE ADDRESS  
 ADJACENT TO (IN PROW)  
 2215 86TH AVENUE  
 OAKLAND, CA 94605

SHEET TITLE  
 EQUIPMENT DETAILS

SHEET NUMBER  
C-4













Existing



proposed antenna

Proposed





# **EXTENET OAKLAND NODE 06287C ALTERNATIVE SITE ANALYSIS**

**Attachment B**



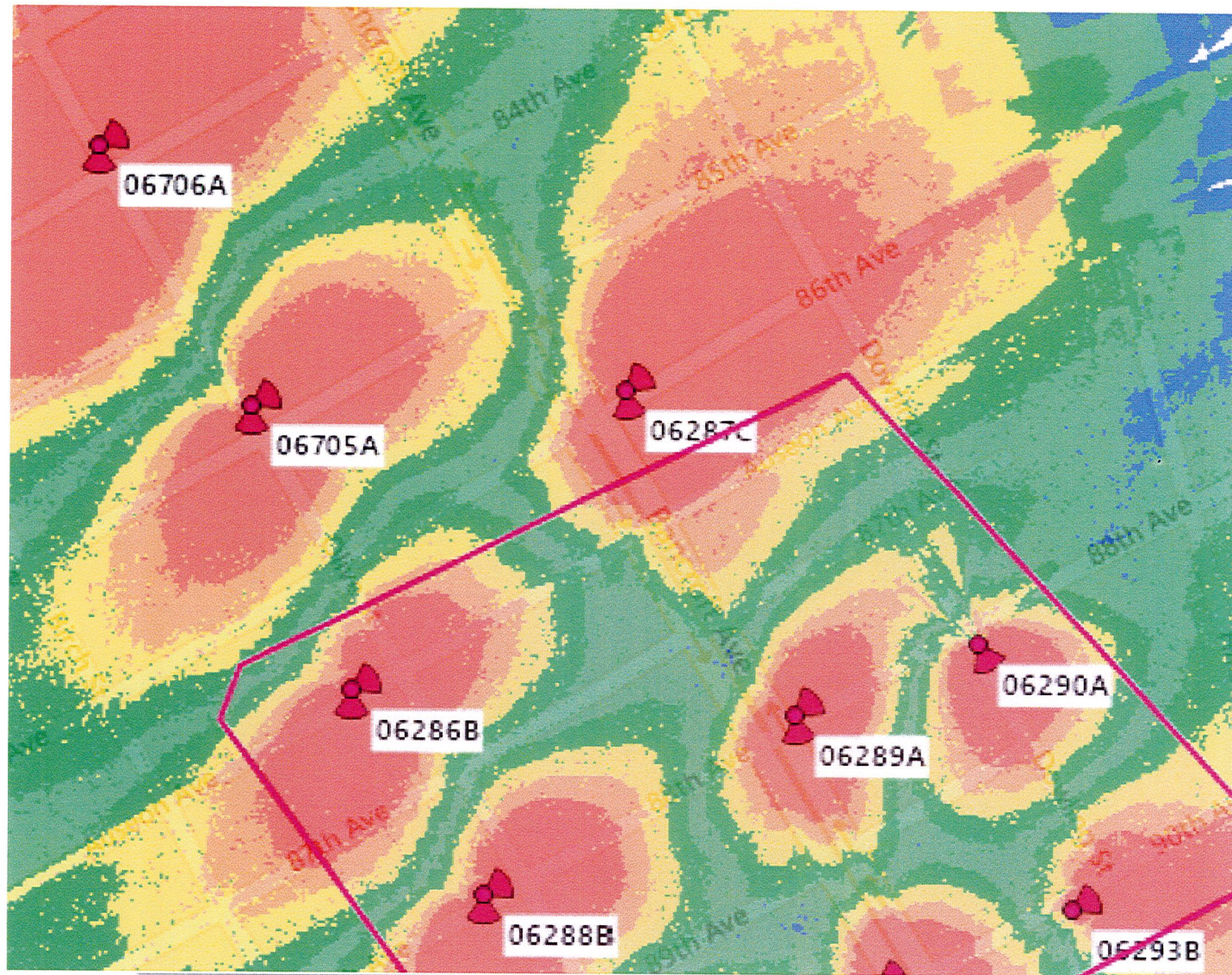
# MAP OF ALTERNATIVE POLES EVALUATED FOR NODE 06287C



- The above maps depict ExteNet's proposed Node 06287C in relation to other poles in the area that were evaluated as possibly being viable alternative candidates.
- The following is an analysis of each of those 3 alternative locations.



# PROPAGATION MAP OF NODES 06287C



This propagation map depicts the ExteNet proposed Node 06287C in relation to surrounding proposed ExteNet small cell nodes.



## 06287C - PROPOSED LOCATION



- The location for ExteNet's proposed Node 06287C is a joint utility pole located adjacent to 2215 86th Avenue (37.757099,- 122.167866).
- ExteNet's objective is to provide T-Mobile 4G wireless coverage and capacity to the Oakland area.
- ExteNet evaluated this site and nearby alternatives to verify that the selected site is the least intrusive means to close T-Mobile's significant service coverage gap.



## ALTERNATIVE NODE 06287A



- Node 06287A is a joint utility pole located at 2073 Auseon Avenue (37.756223, - 122.167971).
- This pole is not a viable alternative candidate because the existing riser on the pole occupies the available quadrant space.
- This pole is not a viable alternative because the signal would be blocked by trees.
- This pole is not a viable alternative candidate because this pole is located too close to primary Node 06286B.



## ALTERNATIVE NODE 06287B



- Node 06287B is a metal light pole located next to 2070 Auseon Ave Avenue (37.756117, -122.167808)
- This pole is not a viable alternative candidate because this pole is located too close to primary Node 06289A.
- This pole is not a viable alternative candidate because this pole is located too close to primary Node 06288B.



## ALTERNATIVE NODE 06287D



- Node 06287D is a joint utility pole located on the side of the residence at 2073 Auseon Avenue (37.756424, - 122.168036).
- This pole is not a viable alternative because the signal would be blocked by trees.
- This pole is not a viable alternative candidate because this pole is located too close to primary Node 06286B.

# ALTERNATIVE SITE ANALYSIS CONCLUSION

**Based on ExteNet's analysis of alternative sites, the currently proposed Node 06287C is the least intrusive location from which to fill the surrounding significant wireless coverage gaps.**





SM  
extenet  
SYSTEMS

**Thank You!**



**ExteNet Systems CA, LLC • Proposed DAS Node (Site No. 06287C)  
2215 86th Avenue • Oakland, California**

**Statement of Hammett & Edison, Inc., Consulting Engineers**

The firm of Hammett & Edison, Inc., Consulting Engineers, has been retained on behalf of ExteNet Systems CA, LLC, a wireless telecommunications facilities provider, to evaluate the addition of Node No. 06287C to be added to the ExteNet distributed antenna system (“DAS”) in Oakland, California, for compliance with appropriate guidelines limiting human exposure to radio frequency (“RF”) electromagnetic fields.

**Executive Summary**

ExteNet proposes to install a directional panel antenna on a utility pole sited in the public right-of-way at 2215 86th Avenue in Oakland. The proposed operation will comply with the FCC guidelines limiting public exposure to RF energy.

**Prevailing Exposure Standards**

The U.S. Congress requires that the Federal Communications Commission (“FCC”) evaluate its actions for possible significant impact on the environment. A summary of the FCC’s exposure limits is shown in Figure 1. These limits apply for continuous exposures and are intended to provide a prudent margin of safety for all persons, regardless of age, gender, size, or health. The most restrictive FCC limit for exposures of unlimited duration to radio frequency energy for several personal wireless services are as follows:

Wireless Service	Frequency Band	Occupational Limit	Public Limit
Microwave (Point-to-Point)	5,000–80,000 MHz	5.00 mW/cm <sup>2</sup>	1.00 mW/cm <sup>2</sup>
BRS (Broadband Radio)	2,600	5.00	1.00
AWS (Advanced Wireless)	2,100	5.00	1.00
PCS (Personal Communication)	1,950	5.00	1.00
Cellular	870	2.90	0.58
SMR (Specialized Mobile Radio)	855	2.85	0.57
700 MHz	700	2.35	0.47
[most restrictive frequency range]	30–300	1.00	0.20

Power line frequencies (60 Hz) are well below the applicable range of these standards, and there is considered to be no compounding effect from simultaneous exposure to power line and radio frequency fields.

**General Facility Requirements**

Base stations typically consist of two distinct parts: the electronic transceivers (also called “radios” or “channels”) that are connected to the traditional wired telephone lines, and the passive antennas that send the wireless signals created by the radios out to be received by individual subscriber units. The transceivers are often located at ground level and are connected to the antennas by coaxial cables.

**ExteNet Systems CA, LLC • Proposed DAS Node (Site No. 06287C)  
2215 86th Avenue • Oakland, California**

A small antenna for reception of GPS signals is also required, mounted with a clear view of the sky. Because of the short wavelength of the frequencies assigned by the FCC for wireless services, the antennas require line-of-sight paths for their signals to propagate well and so are installed at some height above ground. The antennas are designed to concentrate their energy toward the horizon, with very little energy wasted toward the sky or the ground. This means that it is generally not possible for exposure conditions to approach the maximum permissible exposure limits without being physically very near the antennas.

### **Computer Modeling Method**

The FCC provides direction for determining compliance in its Office of Engineering and Technology Bulletin No. 65, "Evaluating Compliance with FCC-Specified Guidelines for Human Exposure to Radio Frequency Radiation," dated August 1997. Figure 2 attached describes the calculation methodologies, reflecting the facts that a directional antenna's radiation pattern is not fully formed at locations very close by (the "near-field" effect) and that at greater distances the power level from an energy source decreases with the square of the distance from it (the "inverse square law"). The conservative nature of this method for evaluating exposure conditions has been verified by numerous field tests.

### **Site and Facility Description**

Based upon information provided by ExteNet, including drawings by Black & Veatch Corporation, dated October 5, 2016, it is proposed to install one CommScope Model 3X-V65S-GC3-3XR 2-foot tall, tri-directional cylindrical antenna, with two directions activated, on a cross-arm to be added to a utility pole sited in the public right-of-way in front of the residence located at 2215 86th Avenue in Oakland. The antenna would employ no downtilt, would be mounted at an effective height of about 20 feet above ground, and its principal directions would be oriented toward 50°T and 170°T. T-Mobile proposes to operate from this facility with a maximum effective radiated power in any direction of 122 watts, representing simultaneous operation at 61 watts for AWS and 61 watts for PCS service. There are reported no other wireless telecommunications base stations at this site or nearby.

### **Study Results**

For a person anywhere at ground, the maximum RF exposure level due to the proposed T-Mobile operation is calculated to be 0.0026 mW/cm<sup>2</sup>, which is 0.26% of the applicable public exposure limit. The maximum calculated level at the second-floor elevation of any nearby building is 1.0% of the public exposure limit. It should be noted that these results include several "worst-case" assumptions and therefore are expected to overstate actual power density levels from the proposed operation.



**ExteNet Systems CA, LLC • Proposed DAS Node (Site No. 06287C)  
2215 86th Avenue • Oakland, California**

**Recommended Mitigation Measures**

Due to its mounting location and height, the ExteNet antenna would not be accessible to the general public, and so no mitigation measures are necessary to comply with the FCC public exposure guidelines. To prevent occupational exposures in excess of the FCC guidelines, it is recommended that appropriate RF safety training be provided to all authorized personnel who have access to the antenna, including employees and contractors of the utility companies. No access within 1 foot directly in front of the antenna itself, such as might occur during certain activities, should be allowed while the base station is in operation, unless other measures can be demonstrated to ensure that occupational protection requirements are met. Posting explanatory signs\* on the pole at or below the antenna, such that the signs would be readily visible from any angle of approach to persons who might need to work within that distance, would be sufficient to meet FCC-adopted guidelines.

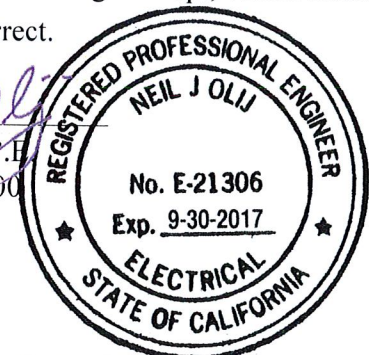
**Conclusion**

Based on the information and analysis above, it is the undersigned's professional opinion that operation of the node proposed by ExteNet Systems CA, LLC, at 2215 86th Avenue in Oakland, California, will comply with the prevailing standards for limiting public exposure to radio frequency energy and, therefore, will not for this reason cause a significant impact on the environment. The highest calculated level in publicly accessible areas is much less than the prevailing standards allow for exposures of unlimited duration. This finding is consistent with measurements of actual exposure conditions taken at other operating base stations. Training personnel and posting signs is recommended to establish compliance with occupational exposure limitations.

**Authorship**

The undersigned author of this statement is a qualified Professional Engineer, holding California Registration No. E-21306, which expires on September 30, 2017. This work has been carried out under his direction, and all statements are true and correct of his own knowledge except, where noted, when data has been supplied by others, which data he believes to be correct.

  
Neil J. Olij, P.E.  
707/996-5200



October 20, 2016

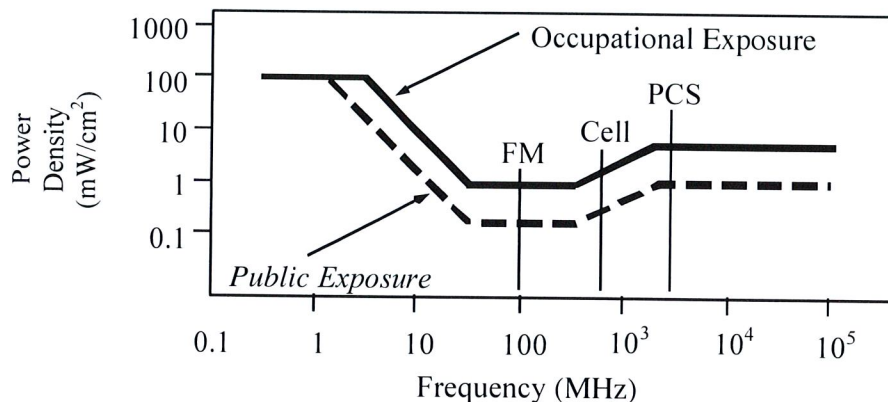
\* Signs should comply with OET-65 color, symbol, and content recommendations. Contact information should be provided (e.g., a telephone number) to arrange for access to restricted areas. The selection of language(s) is not an engineering matter, and guidance from the landlord, local zoning or health authority, or appropriate professionals may be required. Signage may also need to comply with the requirements of California Public Utilities Commission General Order No. 95.

## FCC Radio Frequency Protection Guide

The U.S. Congress required (1996 Telecom Act) the Federal Communications Commission (“FCC”) to adopt a nationwide human exposure standard to ensure that its licensees do not, cumulatively, have a significant impact on the environment. The FCC adopted the limits from Report No. 86, “Biological Effects and Exposure Criteria for Radiofrequency Electromagnetic Fields,” published in 1986 by the Congressionally chartered National Council on Radiation Protection and Measurements (“NCRP”). Separate limits apply for occupational and public exposure conditions, with the latter limits generally five times more restrictive. The more recent standard, developed by the Institute of Electrical and Electronics Engineers and approved as American National Standard ANSI/IEEE C95.1-2006, “Safety Levels with Respect to Human Exposure to Radio Frequency Electromagnetic Fields, 3 kHz to 300 GHz,” includes similar limits. These limits apply for continuous exposures from all sources and are intended to provide a prudent margin of safety for all persons, regardless of age, gender, size, or health.

As shown in the table and chart below, separate limits apply for occupational and public exposure conditions, with the latter limits (in *italics* and/or dashed) up to five times more restrictive:

Frequency Applicable Range (MHz)	Electromagnetic Fields (f is frequency of emission in MHz)					
	Electric Field Strength (V/m)		Magnetic Field Strength (A/m)		Equivalent Far-Field Power Density (mW/cm <sup>2</sup> )	
0.3 – 1.34	614	<i>614</i>	1.63	<i>1.63</i>	100	<i>100</i>
1.34 – 3.0	614	<i>823.8/f</i>	1.63	<i>2.19/f</i>	100	<i>180/f<sup>2</sup></i>
3.0 – 30	1842/f	<i>823.8/f</i>	4.89/f	<i>2.19/f</i>	900/f <sup>2</sup>	<i>180/f<sup>2</sup></i>
30 – 300	61.4	<i>27.5</i>	0.163	<i>0.0729</i>	1.0	<i>0.2</i>
300 – 1,500	3.54√f	<i>1.59√f</i>	√f/106	<i>√f/238</i>	f/300	<i>f/1500</i>
1,500 – 100,000	137	<i>61.4</i>	0.364	<i>0.163</i>	5.0	<i>1.0</i>



Higher levels are allowed for short periods of time, such that total exposure levels averaged over six or thirty minutes, for occupational or public settings, respectively, do not exceed the limits, and higher levels also are allowed for exposures to small areas, such that the spatially averaged levels do not exceed the limits. However, neither of these allowances is incorporated in the conservative calculation formulas in the FCC Office of Engineering and Technology Bulletin No. 65 (August 1997) for projecting field levels. Hammett & Edison has built those formulas into a proprietary program that calculates, at each location on an arbitrary rectangular grid, the total expected power density from any number of individual radio sources. The program allows for the description of buildings and uneven terrain, if required to obtain more accurate projections.





## RFR.CALC™ Calculation Methodology

### Assessment by Calculation of Compliance with FCC Exposure Guidelines

The U.S. Congress required (1996 Telecom Act) the Federal Communications Commission (“FCC”) to adopt a nationwide human exposure standard to ensure that its licensees do not, cumulatively, have a significant impact on the environment. The maximum permissible exposure limits adopted by the FCC (see Figure 1) apply for continuous exposures from all sources and are intended to provide a prudent margin of safety for all persons, regardless of age, gender, size, or health. Higher levels are allowed for short periods of time, such that total exposure levels averaged over six or thirty minutes, for occupational or public settings, respectively, do not exceed the limits.

#### Near Field.

Prediction methods have been developed for the near field zone of panel (directional) and whip (omnidirectional) antennas, typical at wireless telecommunications base stations, as well as dish (aperture) antennas, typically used for microwave links. The antenna patterns are not fully formed in the near field at these antennas, and the FCC Office of Engineering and Technology Bulletin No. 65 (August 1997) gives suitable formulas for calculating power density within such zones.

For a panel or whip antenna, power density  $S = \frac{180}{\theta_{BW}} \times \frac{0.1 \times P_{net}}{\pi \times D \times h}$ , in mW/cm<sup>2</sup>,

and for an aperture antenna, maximum power density  $S_{max} = \frac{0.1 \times 16 \times \eta \times P_{net}}{\pi \times h^2}$ , in mW/cm<sup>2</sup>,

where  $\theta_{BW}$  = half-power beamwidth of the antenna, in degrees, and

$P_{net}$  = net power input to the antenna, in watts,

$D$  = distance from antenna, in meters,

$h$  = aperture height of the antenna, in meters, and

$\eta$  = aperture efficiency (unitless, typically 0.5-0.8).

The factor of 0.1 in the numerators converts to the desired units of power density.

#### Far Field.

OET-65 gives this formula for calculating power density in the far field of an individual RF source:

$$\text{power density } S = \frac{2.56 \times 1.64 \times 100 \times \text{RFF}^2 \times \text{ERP}}{4 \times \pi \times D^2}, \text{ in mW/cm}^2,$$

where ERP = total ERP (all polarizations), in kilowatts,

RFF = relative field factor at the direction to the actual point of calculation, and

$D$  = distance from the center of radiation to the point of calculation, in meters.

The factor of 2.56 accounts for the increase in power density due to ground reflection, assuming a reflection coefficient of 1.6 (1.6 x 1.6 = 2.56). The factor of 1.64 is the gain of a half-wave dipole relative to an isotropic radiator. The factor of 100 in the numerator converts to the desired units of power density. This formula has been built into a proprietary program that calculates, at each location on an arbitrary rectangular grid, the total expected power density from any number of individual radiation sources. The program also allows for the description of uneven terrain in the vicinity, to obtain more accurate projections.





February 17, 2017

City Planner  
Planning Department  
City of Oakland  
250 Frank H. Ogawa Plaza, 2<sup>nd</sup> Floor  
Oakland, CA 94612

**Re: GO 95 Required Two Feet Clearance between Antenna and Pole**  
**Applicant: ExteNet Systems (California) LLC**  
**Nearest Site Address: Public Right of Way near 2215 86<sup>th</sup> Avenue**  
**Site ID: NW-CA-SANFRNMC-TMO Node 06287C**  
**Latitude/Longitude: 37.757099, -122.167866**

Dear City Planner,

This letter is in response to discussions with City of Oakland Planning Department seeking clarification on the proposed antenna placement on the utility pole.

Wireless facility attachments to utility poles must comply with CPUC General Order 95 design, safety and clearance standards. Specifically, Rule 94.4 (E) states: *Antennas shall maintain a 2 ft. horizontal clearance from centerline of pole when affixed between supply and communication lines or below communication lines.* This rule precludes ExteNet from placing the antennas flush mounted to the utility pole when there is a power source attached to the pole. ExteNet minimized the clearance as much as possible by placing the antenna shroud just over two feet from the centerline of the utility pole.

Feel free to contact me if you have any questions. Thank you.

Thank you.

Best Regards,

A handwritten signature in blue ink that reads "Ana Gomez/BV for ExteNet".

Ana Gomez  
ExteNet Permitting Contractor

**Attachment D**



# NOTICE OF OAKLAND



## CITY OF OAKLAND BUREAU OF PLANNING

250 Frank H. Ogawa Plaza, Suite 2134, Oakland, CA 94612-2031  
Phone: (510) 238-3911, Fax: (510) 238-4730

### PLANNING COMMISSION PUBLIC NOTICE

Location:	The Public Right-of-Way Adjacent to 2215 86 <sup>th</sup> Ave.
Assessor's Parcel Number (APN):	Norwalk Adjacent Lot 024-457-0018-00
Proposal:	To establish a telecommunications facility, to enhance existing services by attaching an antenna and equipment to an existing wooden utility pole located in the public right-of-way (sidewalk). The new 43' wooden utility pole will replace the existing 17'-6" wooden utility pole.
Applicant:	Extens Systems (California) LLC (for T-Mobile USA, Inc)
Contact Person/ Phone Number:	Ava Gomez (911) 458-9148
Owner:	Joint Pole Authority (JPA) including PG&E
Case File Number:	PLN16383
Planning Permits Required:	Major Design Review to install a wireless Telecommunication Macro Facility on a PO&E replacement pole located in RM-J Zone.
General Plan:	Mixed Housing Type
Zoning:	RM-J Mixed Housing Type Residential Zone.
Environmental Determination:	Exempt, Section 15303 of the State CEQA Guidelines; New construction of conversion of small structures. Exempt, Section 15183 of the State CEQA Guidelines; Projects consistent with a Community Plan, General Plan or Zoning.
Historic Status:	Not a Potential Designated Historic Property; Survey rating n/a
City Council District:	6
Finality of Decision:	Appealable to City Council within 10 Days
For Further Information:	Contact case Planner Danny Thai at (510) 238-3584 or by email at <a href="mailto:dthai@oaklandnet.com">dthai@oaklandnet.com</a> .

Your comments and questions, if any, should be directed to the Bureau of Planning, 250 Frank H. Ogawa Plaza, 2nd Floor, Oakland, California 94612-2031, at or prior to the public hearing to be held on September 27, 2017, at Oakland City Hall, Council Chambers, 1 Frank H. Ogawa Plaza, Oakland, California 94612. The public hearing will start at 5:00 p.m.

If you challenge the Planning Commission decision on appeal and/or in court, you will be limited to issues raised at the public hearing or in correspondence delivered to the Bureau of Planning at or prior to the public hearing on this case. If you wish to be notified of the decision of any of these cases, please provide the case planner with a regular mail or email address.

Please note that the description of the application found above is preliminary in nature and that the project and/or such descriptions may change prior to a decision being made. Excess work items, once a decision is reached by the Planning Commission in these cases, they are appealable to the City Council. Such appeals must be filed within ten (10) calendar days of the date of decision by the Planning Commission and be filed at 250 Frank H. Ogawa Plaza, Suite 2134, in the attention of the Case Planner. An appeal shall be on a form provided by the Bureau of Planning, and submitted to the City of Oakland and be subject to the decision of the City Council. The appeal shall state specifically whether it is claimed there was an error or abuse of discretion by the City of Oakland and a remedy appeal will provide you from challenging the City's decision in court. The appeal shall meet every issue that is contained along with all the responses and a hearing is to be held on the appeal prior to or at the public hearing mentioned above. Failure to do so will preclude you from raising such issues during the special hearing and/or in court.

POSTING DATE: September 8, 2017

IT IS UNLAWFUL TO ALTER OR REMOVE THIS NOTICE WHEN POSTED ON SITE

Attachment E

IF DAMAGED, PLEASE CALL ZONING AT (510) 238-3911. FOR BLIGHT NOTICES, PLEASE CALL (510) 238-6402



