

<b>Location:</b>	City street light pole in public right-of-way (sidewalk) adjacent to: 1551 Madison Street
<b>Assessor's Parcel Numbers:</b>	Adjacent to: 008-0629-010-01
<b>Proposal:</b>	To install a new "small cell site" telecommunications facility on an existing 26' tall City street light pole located in the Public Right-of-Way (sidewalk). The project involves the installation of one (1) antenna measuring 29.5 inches long and 4.5 inches in diameter, located within a shroud up to 30'-5.5" in height and equipment at 16'-6" above ground-level.
<b>Applicant /</b>	James Singleton, Mobilitie LLC
<b>Phone Number:</b>	(650) 458-9148
<b>Owner:</b>	City of Oakland
<b>Case File Number:</b>	PLN17351
<b>Planning Permits Required:</b>	Major Conditional Use Permit and Regular Design Review with additional findings Monopole Telecommunications Facility; Minor Variance for Monopole adjacent to residential use
<b>General Plan:</b>	Central Business District
<b>Zoning:</b>	Central Business District Residential Zone (CBD-R)
<b>Environmental Determination:</b>	Exempt, Section 15301 of the State CEQA Guidelines: Existing Facilities; Exempt, Section 15302: Replacement or Reconstruction; Exempt, Section 15303: New Construction of Small Structures; Section 15183: Projects Consistent with a Community Plan, General Plan or Zoning
<b>Historic Status:</b>	Local Register; Non-historic pole
<b>City Council District:</b>	3
<b>Date Filed:</b>	September 9, 2017
<b>Action to be Taken:</b>	Decision based on staff report
<b>Finality of Decision:</b>	<i>Appealable to City Council within 10 days</i>
<b>For Further Information:</b>	Contact case planner <b>Marilu Garcia</b> at (510) 238-5217 or <a href="mailto:mgarcia2@oaklandnet.com">mgarcia2@oaklandnet.com</a>

**SUMMARY**

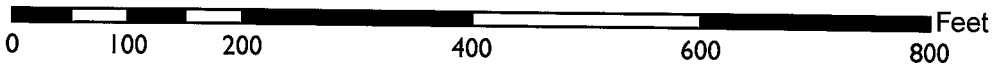
The applicant requests Planning Commission approval of a Major Conditional Use Permit, a Regular Design Review and a Minor Variance to establish a Monopole Telecommunications Facility ("small cell site"). The purpose is to enhance existing wireless services. The project involves attaching an antenna and equipment to an existing City street light pole located within the sidewalk in the public right-of-way in a residential neighborhood.

Staff recommends approval, subject to conditions, as described in this report.

**BACKGROUND**

For several years in the City of Oakland, telecommunications carriers have proposed facility installation within the public right-of-way, instead of private property. These facilities typically consist of antennas and associated equipment attached to utility poles or street light poles. Poles are often replaced with replicas for technical purposes. The main purpose is to enhance existing service, given increasing technological demands for bandwidth, through new technology and locational advantages. The City

# CITY OF OAKLAND PLANNING COMMISSION



Case File: PLN17351  
Applicant: James Singleton, Mobilitie LLC  
Address: City Street light pole in public right-of-way (sidewalk)  
adjacent to 1551 Madison  
Zone: CBD-R

exercises zoning jurisdiction over such projects in response to a 2009 State Supreme Court case decision (*Sprint v. Palos Verdes Estates*). Pursuant to the Planning Code, utility or joint pole authority (JPA) sites are classified by staff as "Macro Facilities," and street light pole sites (lamps, not traffic signals) as "Monopole Facilities." For JPA poles, only Design Review approval may be required, as opposed to Design Review and a Conditional Use Permit, for example. For non-JPA pole sites, such as City light poles, projects also require review by the City's Public Works Agency (PWA) and Real Estate Division, and involve other considerations such as impacts to historical poles. The PWA may also review projects involving street lights. In either case, the practice has been to refer all such projects to the Planning Commission for decision when located in or near a residential zone.

Several projects for new DAS (distributed antenna services) facilities have come before the Planning Commission for a decision and have been installed throughout the Oakland Hills. Some applications have been denied due to view obstructions or propinquity to residences. Improved practices for the processing of all types of sites incorporating Planning Commission direction have been developed as a result. Conditions of approval typically attach requirements such as painting and texturing of approved components to more closely match utility poles in appearance. Approvals do not apply to any replacement project should the poles be removed for any reason. As with sites located on private property, the Federal Government precludes cities from denying an application on the basis of emissions concerns if a satisfactory emissions report is submitted. More recent Federal changes have streamlined the process to service existing facilities.

Currently, telecommunications carriers are in the process of attempting to deploy "small cell sites." These projects also involve attachment of antennas and equipment at public right-of-way facilities such as poles or lights for further enhancement of services. However, components are now somewhat smaller in size than in the past. Also, sites tend to be located in flatland neighborhoods and Downtown where view obstructions are less likely to be an issue. Good design and placement is given full consideration nonetheless, especially with the greater presence of historic structures in Downtown. Additionally, given the sheer multitude of applications, and, out of consideration for Federal requirements for permit processing timelines, staff may develop alternatives to traditional staffing and agendizing.

## **TELECOMMUNICATIONS BACKGROUND**

### **Limitations on Local Government Zoning Authority under the Telecommunications Act of 1996**

Section 704 of the Telecommunications Act of 1996 (TCA) provides federal standards for the siting of "Personal Wireless Services Facilities." "Personal Wireless Services" include all commercial mobile services (including personal communications services (PCS), cellular radio mobile services, and paging); unlicensed wireless services; and common carrier wireless exchange access services. Under Section 704, local zoning authority over personal wireless services is preserved such that the FCC is prevented from preempting local land use decisions; however, local government zoning decisions are still restricted by several provisions of federal law. Specifically:

- Under Section 253 of the TCA, no state or local regulation or other legal requirement can prohibit or have the effect of prohibiting the ability of any entity to provide any interstate or intrastate telecommunications service.
- Further, Section 704 of the TCA imposes limitations on what local and state governments can do. Section 704 prohibits any state and local government action which unreasonably discriminates among personal wireless providers. Local governments must ensure that its wireless ordinance

does not contain requirements in the form of regulatory terms or fees which may have the “effect” of prohibiting the placement, construction, or modification of personal wireless services.

- Section 704 also preempts any local zoning regulation purporting to regulate the placement, construction and modification of personal wireless service facilities on the basis, either directly or indirectly, on the environmental effects of radio frequency emissions (RF) of such facilities, which otherwise comply with Federal Communication Commission (FCC) standards in this regard. (See 47 U.S.C. Section 332(c)(7)(B)(iv) (1996)). This means that local authorities may not regulate the siting or construction of personal wireless facilities based on RF standards that are more stringent than those promulgated by the FCC.
- Section 704 mandates that local governments act upon personal wireless service facility siting applications to place, construct, or modify a facility within a reasonable time (See 47 U.S.C.332(c)(7)(B)(ii) and FCC Shot Clock ruling setting forth “reasonable time” standards for applications deemed complete).
- Section 704 also mandates that the FCC provide technical support to local governments in order to encourage them to make property, rights-of-way, and easements under their jurisdiction available for the placement of new spectrum-based telecommunications services. This proceeding is currently at the comment stage.

For more information on the FCC’s jurisdiction in this area, consult the following:

Competition & Infrastructure Policy Division (CIPD) of the Wireless Telecommunications Bureau, main division number: (202) 418-1310.

Main division website:

<https://www.fcc.gov/general/competition-infrastructure-policy-division-wireless-telecommunications-bureau>

Tower siting:

<https://www.fcc.gov/general/tower-and-antenna-siting>

## **SITE DESCRIPTION**

The project site consists of an existing City street light pole located in the public right-of-way (sidewalk, towards the curb) that measures 26-feet in height. The light pole is placed adjacent to 1551 Madison Street. This property three-story multi-story apartment building and is located approximately 24-feet in distance from the pole. Properties in the vicinity consist of residential, commercial and civic uses.

## **PROJECT DESCRIPTION**

The proposal is to establish a Monopole Telecommunications Facility (“small cell site”). The project involves the following:

- Use existing 26’ tall utility pole;
- Install one omni directional antenna (29.5” long and 4.5” in diameter) within an antenna shroud measuring 47” long and 10.75” in diameter on the top of the pole up to 30’-5.5” in height;
- Install PG&E smart meter within antenna shroud at a height of 26’;
- Install a radio unit within a shroud measuring 25” long, 9” deep, and 15.5” wide at a height of 16’-6” above ground;
- Paint the proposed antennas and associated equipment to match the pole and/or other utilities located on the pole.

**GENERAL PLAN ANALYSIS**

The site is located in a Central Business District area under the General Plan's Land Use and Transportation Element (LUTE). The intent of the area is: *"to encourage, support, and enhance the downtown area as a high density mixed use urban center of regional importance and a primary hub for business, communications, office, government, high technology, retail, entertainment, and transportation in Northern California."* Given residents and visitors' increasing reliance upon cellular service for phone and internet, the proposal for a Monopole Telecommunications Facility that is not adjacent to a primary living space or historic structure conforms to this intent.

Staff therefore finds the proposal, as conditioned, to conform to the General Plan.

**ZONING ANALYSIS**

The site is located within the Central Business District Residential Zone (CBD-R). The intent of the CBD-R Zone is: *"to create, maintain, and enhance areas of the Central Business District appropriate for residential development with small-scaled compatible ground-level commercial uses."* Per OMC sections 17.58.040, 17.128.080 and 17.136.040, Monopole Telecommunications Facilities on City Street light poles in the CBD-R zone require a Conditional Use Permit, Regular Design Review with additional and a Minor Variance for this site.

Section 17.134.020 (3)(e) indicates that a Major Conditional Use Permit is required when a Monopole Telecommunications Facility is in, or within, 300 feet of the boundary of any residential zone or HBX zone. This proposal is in a residential zone (CBD-R). Section 17.128.080 (A)(3) also states: *"When a monopole is in a Residential Zone or adjacent to a residential use, it must be set back from the nearest residential lot line a distance at least equal to its total height"*. The applicant has requested a Minor Variance for a 30'-5.5" monopole situated approximately 17'-7" from a residential lot line and approximately 24-feet from a residential structure.

Additionally, new wireless telecommunications facilities may also be subject to a Site Alternatives Analysis, Site Design Alternatives Analysis, and a satisfactory radio-frequency (RF) emissions report. Staff analyzes the proposal in consideration of these requirements in the 'Key Issues and Impacts' section of this report. Additionally, attachment to City infrastructure requires review by the City's Real Estate Department, Public Works Agency's Electrical Division, and Information Technology Department. Given increased reliance upon cellular service for phone and Wi-Fi, the proposal for a Monopole Telecommunications Facility that is not adjacent to a primary living space or historic structure conforms to this intent.

Staff finds the proposal, as conditioned, to conform to the Planning Code.

**ENVIRONMENTAL DETERMINATION**

The California Environmental Quality Act (CEQA) Guidelines categorically exempts specific types of projects from environmental review. Section 15301 exempts projects involving 'Existing Facilities'; Section 15302 exempts projects involving 'Replacement or Reconstruction'; and, Section 15303 exempts projects involving 'Construction of Small Structures.' The proposal fits all of these descriptions. The project is also subject to Section 15183 for 'Projects consistent with a community plan, general plan or zoning.' The project is therefore exempt from further Environmental Review.

**KEY ISSUES AND IMPACTS**

The proposal to establish a Monopole Telecommunications Facility is subject to the following Planning Code development standards, which are followed by staff's analysis in relation to this application:

**17.128.080 Monopole Telecommunications Facilities.**

**A. General Development Standards for Monopole Telecommunications Facilities.**

**1. Applicant and owner shall allow other future wireless communications companies including public and quasi-public agencies using similar technology to collocate antenna equipment and facilities on the monopole unless specific technical or other constraints, subject to independent verification, at the applicant's expense, at the discretion of the City of Oakland Zoning Manager, prohibit said collocation. Applicant and other wireless carriers shall provide a mechanism for the construction and maintenance of shared facilities and infrastructure and shall provide for equitable sharing of cost in accordance with industry standards. Construction of future facilities shall not interrupt or interfere with the continuous operation of applicant's facilities.**

The proposal involves using an existing City of Oakland metal street light pole for the wireless communication facility that would be available for future collocation purposes.

**2. The equipment shelter or cabinet must be concealed from public view or made compatible with the architecture of the surrounding structures or placed underground. The shelter or cabinet must be regularly maintained.**

Recommended conditions of approval require painting and texturing the antenna and equipment to match the appearance of the metal pole. There is no equipment shelter or cabinet proposed, however, minimal equipment would be closely mounted on the side of the metal pole.

**3. When a monopole is in a Residential Zone or adjacent to a residential use, it must be set back from the nearest residential lot line a distance at least equal to its total height.**

The existing City light pole is in a residential zone and is intended to be situated approximately 24' from the nearest residential use. The proposed antenna would be placed on top of the light pole and would not create a view obstruction from any nearby living spaces. A Minor Variance has been requested to allow a reduction in setback requirements. The proposal meets the variance criteria included in that section of this attachment and would not create a negative visual impact on the neighborhood.

**4. In all zones other than the D-CE-5, D-CE-6, IG, CIX-2, and IO Zones, the maximum height of Monopole Telecommunications Facilities and connecting appurtenances may be increased from the otherwise required maximum height to forty-five (45) feet upon the granting of a Conditional Use Permit (see Chapter 17.134 for the Conditional Use Permit Procedure).**

The facility would not exceed the height of 30'-5.5".

**5. In the D-CE-5, D-CE-6, CIX-2, and IO Zones, the maximum height of Monopole Telecommunications Facilities and connecting appurtenances may be increased from the otherwise required maximum height to eighty (80) feet upon the granting of a Conditional Use Permit (see Chapter 17.134 for the Conditional Use Permit Procedure).**

This requirement does not apply. The subject property is not located in any of the described zoning districts. Nonetheless, the facility would not exceed the height of 30'-5.5".

**6. In the IG Zone, the maximum height of Monopole Telecommunications Facilities and connecting appurtenances may reach a height of forty-five (45) feet. These facilities may reach a height of eighty (80) feet upon the granting of Regular Design Review approval (see Chapter 17.136 for the Design Review Procedure).**

This requirement does not apply. The subject property is not located in the described zoning districts. Nonetheless, the facility would not exceed the height of 30'-5.5".

**7. The applicant shall submit written documentation demonstrating that the emissions from the proposed project are within the limits set by the Federal Communications Commission.**

This standard is met by the proposal; a satisfactory emissions report has been submitted and is attached to this report (Attachment F).

**8. Antennas may not extend more than fifteen (15) feet above their supporting structure.**

The proposed antenna would not be more than fifteen feet above the City light pole.

**17.128.110 Site location preferences.**

**New wireless facilities shall generally be located on the following properties or facilities in order of preference:**

- A. Co-located on an existing structure or facility with existing wireless antennas.**
- B. City-owned properties or other public or quasi-public facilities.**
- C. Existing commercial or industrial structures in Nonresidential Zones (excluding all HBX Zones and the D-CE-3 and D-CE-4 Zones).**
- D. Existing commercial or industrial structures in Residential Zones, HBX Zones, or the DCE-3 or D-CE-4 Zones.**
- E. Other Nonresidential uses in Residential Zones, HBX Zones, or the D-CE-3 or D-CE-4 Zones.**
- F. Residential uses in Nonresidential Zones (excluding all HBX Zones and the D-CE-3 and D-CE-4 Zones).**
- G. Residential uses in Residential Zones, HBX Zones, or the D-CE-3 or D-CE-4 Zones.**

**Facilities locating on an A, B or C ranked preference do not require a site alternatives analysis. Facilities proposing to locate on a D through G ranked preference, inclusive, must submit a site alternatives analysis as part of the required application materials. A site alternatives analysis shall, at a minimum, consist of: a. The identification of all A, B and C ranked preference sites within one thousand (1,000) feet of the proposed location. If more than three (3) sites in each preference order exist, the three such closest to the proposed location shall be required. b. Written evidence indicating why each such identified alternative cannot be used. Such evidence shall be in sufficient detail that independent verification, at the applicant's expense, could be obtained if required by the City of Oakland Zoning Manager. Evidence should indicate if the reason an alternative was rejected was technical (e.g. incorrect height, interference from existing RF sources, inability to cover required area) or for other concerns (e.g. refusal to lease, inability to provide utilities).**

A site alternatives analysis is not required because the proposal conforms to 'B' as it would be located on a public facility (City light pole). Nonetheless, the applicant has submitted an analysis which is attached to this report (Attachment E).

**17.128.120 Site design preferences.**

**New wireless facilities shall generally be designed in the following order of preference:**

- A. Building or structure mounted antennas completely concealed from view.**
- B. Building or structure mounted antennas set back from roof edge, not visible from public right-of-way.**
- C. Building or structure mounted antennas below roof line (facade mount, pole mount) visible from public right-of-way, painted to match existing structure.**
- D. Building or structure mounted antennas above roof line visible from public right-of-way.**
- E. Monopoles.**
- F. Towers.**

**Facilities designed to meet an A or B ranked preference do not require a site design alternatives analysis. Facilities designed to meet a C through F ranked preference, inclusive, must submit a site**

design alternatives analysis as part of the required application materials. A site design alternatives analysis shall, at a minimum, consist of: a. Written evidence indicating why each such higher preference design alternative cannot be used. Such evidence shall be in sufficient detail that independent verification could be obtained if required by the City of Oakland Zoning Manager. Evidence should indicate if the reason an alternative was rejected was technical (e.g. incorrect height, interference from existing RF sources, inability to cover required area) or for other concerns (e.g. inability to provide utilities, construction or structural impediments).

The proposal most closely conforms to 'E' (monopole) and the applicant has submitted a satisfactory site design alternatives analysis (Attachment E).

**17.128.130 Radio frequency emissions standards.**

The applicant for all wireless facilities, including requests for modifications to existing facilities, shall submit the following verifications:

- a. With the initial application, a RF emissions report, prepared by a licensed professional engineer or other expert, indicating that the proposed site will operate within the current acceptable thresholds as established by the Federal government or any such agency who may be subsequently authorized to establish such standards.
- b. Prior to commencement of construction, a RF emissions report indicating the baseline RF emissions condition at the proposed site.
- c. Prior to final building permit sign off, an RF emissions report indicating that the site is actually operating within the acceptable thresholds as established by the Federal government or any such agency who may be subsequently authorized to establish such standards.

In the analysis prepared by Hammett & Edison, Inc. (Attachment F), the proposed project was evaluated for compliance with appropriate guidelines limiting human exposure to radio frequency electromagnetic fields. According to the report, the project will comply with the prevailing standards for limiting public exposure to radio frequency energy, and therefore, the proposed site will operate within the current acceptable thresholds as established by the Federal government or any such agency that may be subsequently authorized to establish such standards. The RF emissions report, states that the proposed project will not cause a significant impact on the environment. Additionally, staff recommends that, prior to the final building permit sign off, the applicant submit a certified RF emissions report stating that the facility is operating within acceptable thresholds established by the regulatory federal agency.

**Analysis**

The proposed Monopole Wireless Communications Facility would be placed on an existing City street light pole that is not historic and is not decorative. The antenna is intended to be placed at the top of the pole, would have no projection over the sidewalk or street and would not cause a view obstruction. Staff, therefore, finds the proposal to provide an essential service with a least-intrusive possible design. Draft conditions of approval stipulate that the components be painted and textured to match the metal pole in appearance for camouflaging.

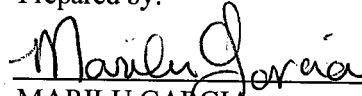


In conclusion, staff recommends approval subject to recommended Conditions of Approval.

**RECOMMENDATIONS:**

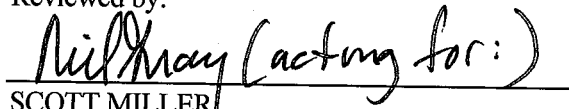
1. Affirm staff's environmental determination.
2. Approve the Major Conditional Use Permit, Regular Design Review and Minor Variance subject to the attached Findings and Conditions of Approval.

Prepared by:



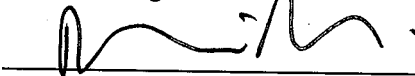
MARILU GARCIA  
Planner I

Reviewed by:



SCOTT MILLER  
Zoning Manager

Approved for forwarding to the  
City Planning Commission:



DARIN RANELLETTI, Deputy Director  
Planning Bureau

**ATTACHMENTS:**

- A. Findings
- B. Conditions of Approval
- C. Plans
- D. Applicant's Photo-Simulations
- E. Site Alternatives Analysis/Site Design Alternatives Analysis
- F. RF Emissions Report by Hammett & Edison, Inc.
- G. CPUC Compliance Letter
- H. Applicant's Proof of Public Notification Posting

**ATTACHMENT A: FINDINGS**

This proposal meets the required findings under General Use Permit Criteria (OMC Section 17.134.050); Conditional Use Permit Criteria for Monopole Facilities (OMC Section 17.128.080 (C)); Regular Design Review Criteria for Nonresidential Facilities (OMC Sec. 17.136.050(B)); Telecommunications Regulations/Design Review Criteria for Monopole Telecommunications Facilities (OMC Sec. 17.128.080(B)) and Minor Variance Criteria (OMC 17.148.050(A)) as set forth below. Required findings are shown in **bold type**; explanations as to why these findings can be made are in normal type.

**GENERAL USE PERMIT CRITERIA (OMC SECTION 17.134.050)**

**A. That the location, size, design, and operating characteristics of the proposed development will be compatible with and will not adversely affect the livability or appropriate development of abutting properties and the surrounding neighborhood, with consideration to be given to harmony in scale, bulk, coverage, and density; to the availability of civic facilities and utilities; to harmful effect, if any, upon desirable neighborhood character; to the generation of traffic and the capacity of surrounding streets; and to any other relevant impact of the development.**

The proposal involves the placement of a Monopole Wireless Communication Facility in a residential zone. Specifically, it will provide for one new antenna to the upper portion of an existing City light pole located in the public right-of-way. The antenna and equipment is to be camouflaged and match the metal pole. The project will be compatible with the neighborhood; it meets special findings and is intended to improve wireless services in the neighborhood.

**That the location, design, and site planning of the proposed development will provide a convenient and functional living, working, shopping, or civic environment, and will be as attractive as the nature of the use and its location and setting warrant.**

The intent is to place a Monopole Facility in a residential zone to improve wireless services in the area. The inclusion of camouflaging paint will lessen the impacts of the proposed facility.

**That the proposed development will enhance the successful operation of the surrounding area in its basic community functions, or will provide an essential service to the community or region.**

The placement of the proposed monopole facility will provide wireless communication services in the neighborhood.

**That the proposal conforms to all applicable design review criteria set forth in the design review procedure at Section 17.136.070.**

The proposal conforms to Design Review findings which are included in that section of this attachment of Findings for Approval.

**That the proposal conforms in all significant respects with the Oakland Comprehensive Plan and with any other applicable plan or development control map which has been adopted by the City Council.**

The project is consistent with the following Objectives of the Oakland General Plan's Land Use & Transportation Element (adopted 1998):

Civic and Institutional Uses, Objective N2: Encourage adequate civic, institutional, and educational facilities located within Oakland, appropriately designed and sited to serve the community.

Infrastructure, Objective N12: Provide adequate infrastructure to meet the needs of Oakland's growing community.

The proposal to expand a wireless telecommunications facility will not create functional issues for the area and the project possesses a satisfactory emissions report.

**CONDITIONAL USE PERMIT CRITERIA FOR MONOPOLE FACILITIES (OMC SEC. 17.128.080(C))**

**1. The project must meet the special design review criteria listed in subsection B of this section.**

The proposal conforms to Design Review findings, which are included in that section of this attachment of Findings for Approval.

**2. Monopoles should not be located any closer than one thousand five hundred (1,500) feet from existing monopoles unless technologically required or visually preferable.**

The request is part of proposed small cell network. This network consists of a series of radio access nodes connected to small telecommunications antennas that distribute wireless communication signals. Monopoles within the network may be located within one-thousand five-hundred feet. The applicant has submitted documentation to demonstrate that such arrangement is technologically required and/or visually preferable to a minimum distance separation. (Attachment F)

**3. The proposed project must not disrupt the overall community character.**

The Monopole Facility will not alter or disrupt the current overall character of the community as it will be attached to an existing City light pole and will be painted and texturized to match the existing metal pole in appearance.

**4. If a major conditional use permit is required, the Planning Director or the Planning Commission may request independent expert review regarding site location, collocation and facility configuration. Any party may request that the Planning Commission consider making such request for independent expert review.**

An independent expert review may be requested by the specified parties. No expert review has been requested as of now.

**REGULAR DESIGN REVIEW CRITERIA FOR NON-RESIDENTIAL FACILITIES (OMC SEC. 17.136.050(B))**

**1. That the proposed design will create a building or set of buildings that are well related to the surrounding area in their setting, scale, bulk, height, materials, and textures:**

The attachment of a small antenna and equipment to a non-historic City light pole, painted and texturized to match the pole in appearance for camouflaging, will be the least intrusive design. The antenna will be placed on top of the pole and will have no projection over the streets. The facility will not adversely affect and detract from the characteristics of the neighborhood.

**2. That the proposed design will protect, preserve, or enhance desirable neighborhood characteristics;**

The proposal will not create a view obstruction, be directly adjacent to a primary living space such as a living room or bedroom window, or be located on an historic structure. Improving wireless services in this area will enable better response from emergency services such as police, fire department and emergency response teams.

**3. The project will provide a necessary function without negatively impacting surrounding opens pace and hillside residential properties.**

The proposal will enhance essential services in an urbanized neighborhood.

**4. That the proposed design will be sensitive to the topography and landscape.**

The proposal will not be ground mounted.

**5. That, if situated on a hill, the design and massing of the proposed building relates to the grade of the hill.**

This finding is inapplicable because the site is level.

**6. That the proposed design conforms in all significant respects with the Oakland General Plan and with any applicable design review guidelines or criteria, district plan, or development control map which have been adopted by the Planning Commission or City Council.**

The site is located in a Central Business District area under the General Plan's Land Use and Transportation Element (LUTE). The intent of the area is: *"to encourage, support, and enhance the downtown area as a high density mixed use urban center of regional importance and a primary hub for business, communications, office, government, high technology, retail, entertainment, and transportation in Northern California."* Given visitors and residents increasing reliance upon cellular service for phone and internet, the proposal for a Monopole Telecommunications Facility that is not adjacent to a primary living space or historic structure conforms to this intent.

**TELECOMMUNICATIONS REGULATIONS/DESIGN REVIEW CRITERIA FOR MONOPOLE TELECOMMUNICATIONS FACILITIES (OMC SEC. 17.128.080(B))**

**1. Collocation is to be encouraged when it will decrease visual impact and collocation is to be discouraged when it will increase negative visual impact.**

The project does not involve collocation as it involves the establishment of a new telecommunications facility; however, the project should not preclude any future proposals for location at the site.

**2. Monopoles should not be sited to create visual clutter or negatively affect specific views.**

The Monopole Facility is sited in an existing City street light pole where it will not create clutter or negatively affect specific views.

**3. Monopoles shall be screened from the public view wherever possible.**

The Monopole Facility will be camouflaged and placed as an attachment to an existing light pole. The antenna and equipment will be texturized to match the pole in appearance. The antenna will be placed on top of the City light pole and will have not projection over the sidewalk or street.

**4. The equipment shelter or cabinet must be concealed from public view or made compatible with the architecture of the surrounding structures or placed underground. The shelter or cabinet must be regularly maintained.**

Recommended conditions of approval require painting and texturing the antenna and equipment to match the appearance of the metal pole. There is no equipment shelter or cabinet proposed, however minimal equipment would be closely mounted on the side of the metal pole.

**5. Site location and development shall preserve the preexisting character of the surrounding buildings and land uses and the zone district as much as possible. Wireless communication towers shall be integrated through location and design to blend in with the existing characteristics of the site to the extent practical. Existing on-site vegetation shall be preserved or improved, and disturbance of the existing topography shall be minimized, unless such disturbance would result in less visual impact of the site to the surrounding area.**

The proposed Monopole Facility will be placed in an existing City Light pole. This enables the preservation of character in the area and will not pose a negative visual impact as the proposal will be camouflaged to match the pole. There is no impact on existing vegetation or topography as this is an existing City light pole.

**6. That all reasonable means of reducing public access to the antennas and equipment has been made, including, but not limited to, placement in or on buildings or structures, fencing, anti-climbing measures and anti-tampering devices.**

The minimal clearance to the facility will be 16'-6".

**MINOR VARIANCE FINDINGS (OMC 17.148.050(A))**

**1. That such strict compliance would preclude an effective design solution improving livability, operational efficiency, or appearance.**

The applicant intends to improve wireless communication services and fill a gap in service in this neighborhood. Strict compliance would preclude this intent.

**2. That such strict compliance would preclude an effective design solution fulfilling the basic intent of the applicable regulation.**

Strict compliance would preclude an effective design solution to improve wireless communication services in this area. The City light pole is existing and the antenna would not cause view obstruction since it would be

placed at the top of the metal light pole and have no projections.

**3. That the variance, if granted, will not adversely affect the character, livability, or appropriate development of abutting properties or the surrounding area, and will not be detrimental to the public welfare or contrary to adopted plans or development policy.**

The proposal would not be detrimental to the public welfare or contrary to adopted plans or development policy. The monopole would be placed on an existing City light pole adjacent to parking area and would not adversely affect the character of the surroundings. The antenna and equipment would be camouflaged to reduce visual impacts and would provide wireless communications services.

**4. That the variance will not constitute a grant of special privilege inconsistent with limitations imposed on similarly zoned properties or inconsistent with the purposes of the zoning regulations.**

The variance would not constitute a grant of privilege. Monopole wireless communication facilities are allowed as a Conditional Use in this zoning district. Findings for the Conditional Use Permit are included above. The antenna would be placed on an existing light pole and the proposal is consistent with the purposes of the zoning regulations.

**5. That the elements of the proposal requiring the variance (e.g., elements such as buildings, walls, fences, driveways, garages and carports, etc.) conform with the regular design review criteria set forth in the design review procedure at Section 17.136.050**

The proposal for a Monopole Wireless Communication Facility conforms with the Regular Design Review criteria specified in that section of this attachment of Findings of Approval.

**6. That the proposal conforms in all significant respects with the Oakland General Plan and with any other applicable guidelines or criteria, district plan, or development control map which have been adopted by the Planning Commission or City Council.**

The proposal for a Monopole Wireless Communication Facility conforms with the General Plan and applicable guidelines as specified in a previous sections of this attachment of Findings of Approval.

**Attachment B: Conditions of Approval**

**Approved Use**

The project shall be constructed and operated in accordance with the authorized use as described in the approved application materials, **staff report** and the approved plans **dated June 2, 2017 and submitted September 9, 2017**, as amended by the following conditions of approval and mitigation measures, if applicable (“Conditions of Approval” or “Conditions”).

**2. Effective Date, Expiration, Extensions and Extinguishment**

This Approval shall become effective immediately, unless the Approval is appealable, in which case the Approval shall become effective in ten calendar days unless an appeal is filed. Unless a different termination date is prescribed, this Approval shall expire **two calendar years** from the Approval date, or from the date of the final decision in the event of an appeal, unless within such period all necessary permits for construction or alteration have been issued, or the authorized activities have commenced in the case of a permit not involving construction or alteration. Upon written request and payment of appropriate fees submitted no later than the expiration date of this Approval, the Director of City Planning or designee may grant a one-year extension of this date, with additional extensions subject to approval by the approving body. Expiration of any necessary building permit or other construction-related permit for this project may invalidate this Approval if said Approval has also expired. If litigation is filed challenging this Approval, or its implementation, then the time period stated above for obtaining necessary permits for construction or alteration and/or commencement of authorized activities is automatically extended for the duration of the litigation.

**3. Compliance with Other Requirements**

The project applicant shall comply with all other applicable federal, state, regional, and local laws/codes, requirements, regulations, and guidelines, including but not limited to those imposed by the City’s Bureau of Building, Fire Marshal, and Public Works Department. Compliance with other applicable requirements may require changes to the approved use and/or plans. These changes shall be processed in accordance with the procedures contained in Condition #4.

**4. Minor and Major Changes**

- a. Minor changes to the approved project, plans, Conditions, facilities, or use may be approved administratively by the Director of City Planning.
- b. Major changes to the approved project, plans, Conditions, facilities, or use shall be reviewed by the Director of City Planning to determine whether such changes require submittal and approval of a revision to the Approval by the original approving body or a new independent permit/approval. Major revisions shall be reviewed in accordance with the procedures required for the original permit/approval. A new independent permit/approval shall be reviewed in accordance with the procedures required for the new permit/approval.

**5. Compliance with Conditions of Approval**

- a. The project applicant and property owner, including successors, (collectively referred to hereafter as the “project applicant” or “applicant”) shall be responsible for compliance with all the Conditions of Approval and any recommendations contained in any submitted and approved technical report at his/her sole cost and expense, subject to review and approval by the City of Oakland.
- b. The City of Oakland reserves the right at any time during construction to require certification by a licensed professional at the project applicant’s expense that the as-built project

conforms to all applicable requirements, including but not limited to, approved maximum heights and minimum setbacks. Failure to construct the project in accordance with the Approval may result in remedial reconstruction, permit revocation, permit modification, stop work, permit suspension, or other corrective action.

- c. Violation of any term, Condition, or project description relating to the Approval is unlawful, prohibited, and a violation of the Oakland Municipal Code. The City of Oakland reserves the right to initiate civil and/or criminal enforcement and/or abatement proceedings, or after notice and public hearing, to revoke the Approval or alter these Conditions if it is found that there is violation of any of the Conditions or the provisions of the Planning Code or Municipal Code, or the project operates as or causes a public nuisance. This provision is not intended to, nor does it, limit in any manner whatsoever the ability of the City to take appropriate enforcement actions. The project applicant shall be responsible for paying fees in accordance with the City's Master Fee Schedule for inspections conducted by the City or a City-designated third-party to investigate alleged violations of the Approval or Conditions.

**6. Signed Copy of the Approval/Conditions**

A copy of the Approval letter and Conditions shall be signed by the project applicant, attached to each set of permit plans submitted to the appropriate City agency for the project, and made available for review at the project job site at all times.

**7. Blight/Nuisances**

The project site shall be kept in a blight/nuisance-free condition. Any existing blight or nuisance shall be abated within 60 days of approval, unless an earlier date is specified elsewhere.

**8. Indemnification**

- a. To the maximum extent permitted by law, the project applicant shall defend (with counsel acceptable to the City), indemnify, and hold harmless the City of Oakland, the Oakland City Council, the Oakland Redevelopment Successor Agency, the Oakland City Planning Commission, and their respective agents, officers, employees, and volunteers (hereafter collectively called "City") from any liability, damages, claim, judgment, loss (direct or indirect), action, causes of action, or proceeding (including legal costs, attorneys' fees, expert witness or consultant fees, City Attorney or staff time, expenses or costs) (collectively called "Action") against the City to attack, set aside, void or annul this Approval or implementation of this Approval. The City may elect, in its sole discretion, to participate in the defense of said Action and the project applicant shall reimburse the City for its reasonable legal costs and attorneys' fees.
- b. Within ten (10) calendar days of the filing of any Action as specified in subsection (a) above, the project applicant shall execute a Joint Defense Letter of Agreement with the City, acceptable to the Office of the City Attorney, which memorializes the above obligations. These obligations and the Joint Defense Letter of Agreement shall survive termination, extinguishment, or invalidation of the Approval. Failure to timely execute the Letter of Agreement does not relieve the project applicant of any of the obligations contained in this Condition or other requirements or Conditions of Approval that may be imposed by the City.

**9. Severability**

The Approval would not have been granted but for the applicability and validity of each and every one of the specified Conditions, and if one or more of such Conditions is found to be invalid by a



court of competent jurisdiction this Approval would not have been granted without requiring other valid Conditions consistent with achieving the same purpose and intent of such Approval.

**10. Job Site Plans**

*Ongoing throughout demolition, grading, and/or construction*

At least one (1) copy of the stamped approved plans, along with the Approval Letter and Conditions of Approval, shall be available for review at the job site at all times.

**11. Special Inspector/Inspections, Independent Technical Review, Project Coordination and Monitoring**

The project applicant may be required to cover the full costs of independent third-party technical review and City monitoring and inspection, including without limitation, special inspector(s)/inspection(s) during times of extensive or specialized plan-check review or construction, and inspections of potential violations of the Conditions of Approval. The project applicant shall establish a deposit with the Bureau of Building, if directed by the Building Official, Director of City Planning, or designee, prior to the issuance of a construction-related permit and on an ongoing as-needed basis.

**12. Public Improvements**

The project applicant shall obtain all necessary permits/approvals, such as encroachment permits, obstruction permits, curb/gutter/sidewalk permits, and public improvement (“p-job”) permits from the City for work in the public right-of-way, including but not limited to, streets, curbs, gutters, sidewalks, utilities, and fire hydrants. Prior to any work in the public right-of-way, the applicant shall submit plans for review and approval by the Bureau of Planning, the Bureau of Building, and other City departments as required. Public improvements shall be designed and installed to the satisfaction of the City.

**13. Construction Days/Hours**

**Requirement:** The project applicant shall comply with the following restrictions concerning construction days and hours:

- a. Construction activities are limited to between 7:00 a.m. and 7:00 p.m. Monday through Friday, except that pier drilling and/or other extreme noise generating activities greater than 90 dBA shall be limited to between 8:00 a.m. and 4:00 p.m.
- b. Construction activities are limited to between 9:00 a.m. and 5:00 p.m. on Saturday. In residential zones and within 300 feet of a residential zone, construction activities are allowed from 9:00 a.m. to 5:00 p.m. only within the interior of the building with the doors and windows closed. No pier drilling or other extreme noise generating activities greater than 90 dBA are allowed on Saturday.
- c. No construction is allowed on Sunday or federal holidays.

Construction activities include, but are not limited to, truck idling, moving equipment (including trucks, elevators, etc.) or materials, deliveries, and construction meetings held on-site in a non-enclosed area.

Any construction activity proposed outside of the above days and hours for special activities (such as concrete pouring which may require more continuous amounts of time) shall be evaluated on a case-by-case basis by the City, with criteria including the urgency/emergency nature of the work, the proximity of residential or other sensitive uses, and a consideration of nearby residents’/occupants’ preferences. The project applicant shall notify property owners and occupants located within 300 feet at least 14 calendar days prior to construction activity proposed outside of

the above days/hours. When submitting a request to the City to allow construction activity outside of the above days/hours, the project applicant shall submit information concerning the type and duration of proposed construction activity and the draft public notice for City review and approval prior to distribution of the public notice.

When Required: During construction

Initial Approval: N/A

Monitoring/Inspection: Bureau of Building

**PROJECT-SPECIFIC CONDITIONS**

**14. Emissions Report**

Requirement: A RF emissions report shall be submitted to the Planning Bureau indicating that the site is actually operating within the acceptable thresholds as established by the Federal government or any such agency who may be subsequently authorized to establish such standards.

Requirement: Prior to a final inspection

When Required: Prior to final building permit inspection sign-off

Initial Approval: N/A

Monitoring/Inspection: N/A

**15. Camouflage**

Requirement: The antenna shall be painted, texturized, and maintained light green (to match pole), and the equipment and any other accessory items including cables light green, to better camouflage the facility to the City light pole.

When Required: Prior to a final inspection

Initial Approval: N/A

Monitoring/Inspection: Bureau of Building

**16. Operational**

Requirement: Noise levels from the activity, property, or any mechanical equipment on site shall comply with the performance standards of Section 17.120 of the Oakland Planning Code and Section 8.18 of the Oakland Municipal Code. If noise levels exceed these standards, the activity causing the noise shall be abated until appropriate noise reduction measures have been installed and compliance verified by the Planning and Zoning Division and Building Services.

When Required: Ongoing

Initial Approval: N/A

Monitoring/Inspection: Bureau of Building

**17. Possible District Undergrounding PG&E Pole**

Requirement: Should the City light pole be permanently removed for purposes of district undergrounding or otherwise, the telecommunications facility can only be re-established by applying for and receiving approval of a new application to the Oakland Planning Bureau as required by the regulations.

When Required: Ongoing

Initial Approval: N/A

Monitoring/Inspection: N/A

**18. Graffiti Control Requirement:**

- a. During construction and operation of the project, the project applicant shall incorporate best management practices reasonably related to the control of graffiti and/or the mitigation of the impacts of graffiti. Such best management practices may include, without limitation:
- b. The project applicant shall remove graffiti by appropriate means within seventy-two (72) hours. Appropriate means include the following:
  - i. Removal through scrubbing, washing, sanding, and/or scraping (or similar method) without damaging the surface and without discharging wash water or cleaning detergents into the City storm drain system.
  - ii. For galvanized poles, covering with new paint to match the color of the surrounding surface.
  - iii. Replace pole numbers.

When Required: Ongoing

Initial Approval: N/A

Monitoring/Inspection: Bureau of Building



intelligent infrastructure

# Attachment C

SITE ID/CASCADE ID-CANDIDATE LETTER:

9CAB013914/SF90XS2X5A

LATITUDE/LONGITUDE:

37.802779 / -122.263396

CROSS STREET:

MADISON ST., N. OF 15TH ST.

CITY, STATE, ZIP:

OAKLAND, CA 94612

## (E) 26'-0" STEEL LIGHT POLE



IF YOU DIG IN ANY STATE  
DIAL 811 FOR THE LOCAL  
"ONE CALL CENTER" -  
IT'S THE LAW

THE UTILITIES SHOWN HEREIN ARE FOR THE CONTRACTORS CONVENIENCE ONLY. THERE MAY BE OTHER UTILITIES NOT SHOWN ON THESE PLANS. THE ENGINEER/SURVEYOR ASSUMES NO RESPONSIBILITY FOR THE LOCATIONS SHOWN AND IT SHALL BE THE CONTRACTOR'S RESPONSIBILITY TO VERIFY ALL THE UTILITIES WITHIN THE LIMITS OF THE WORK. ALL DAMAGE MADE TO THE (E) UTILITIES BY THE CONTRACTOR SHALL BE THE SOLE RESPONSIBILITY OF THE CONTRACTOR.



PRESCOTT COMMUNICATIONS INC.

10640 Sepulveda Blvd. Suite 1, Mission Hills, CA 91345  
Phone No.: (818)898-2352 Fax No.: (818)898-9186

PROJECT NO: 9CAB013914

DRAWN BY: AH

CHECKED BY: JM

0	06/02/17	90% CONSTRUCTION
1	09/25/17	REVISED PER PG&E STANDARDS

### GENERAL NOTES

THE FACILITY IS UNMANNED AND NOT FOR HUMAN HABITATION. A TECHNICIAN WILL VISIT THE SITE AS REQUIRED FOR ROUTINE MAINTENANCE. THE PROJECT WILL NOT RESULT IN ANY SIGNIFICANT DISTURBANCE OF EFFECT ON DRAINAGE; NO SANITARY SEWER SERVICE, POTABLE WATER OR TRASH DISPOSAL IS REQUIRED AND NO COMMERCIAL SIGNAGE IS (N).

### SITE INFORMATION

SITE ID:	9CAB013914
CASCADE ID:	SF90XS2X5A
LATITUDE:	37.802779
LONGITUDE:	-122.263396
CROSS STREET:	MADISON ST., N. OF 15TH ST.
CITY, STATE, ZIP:	OAKLAND, CA 94612
COUNTY:	ALAMEDA COUNTY
JURISDICTION:	CITY OF OAKLAND
PROPERTY OWNER:	PUBLIC RIGHT-OF-WAY
APPLICANT:	MOBILITIE, LLC 2955 RED HILL AVENUE, STE. 200, COSTA MESA, CA 92626 APPLICANT: JAMES SINGLETON PHONE: 605-814-0584 EMAIL: JSingleton@mobilitie.com

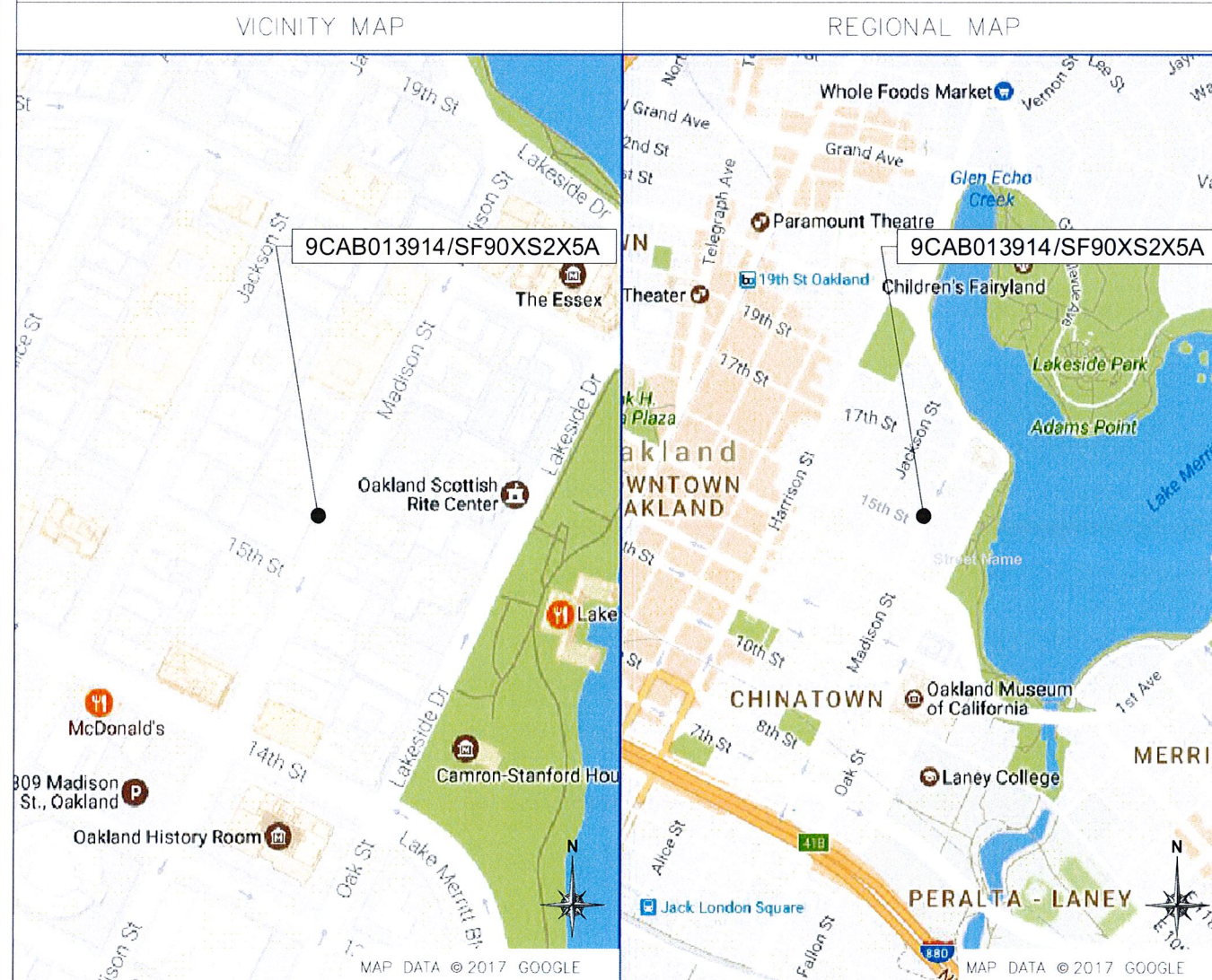
### ENGINEER

CABLE ENGINEERING SERVICES  
10640 SEPULVEDA BLVD. SUITE 1  
MISSION HILLS, CA. 91345  
JEREMY HARMON  
(818) 898-2352

### DO NOT SCALE DRAWINGS

CONTRACTORS SHALL VERIFY ALL PLANS, (E) DIMENSIONS & FIELD CONDITIONS ON THE JOB SITE & SHALL IMMEDIATELY NOTIFY THE ARCHITECT/ENGINEER IN WRITING OF ANY DISCREPANCIES BEFORE PROCEEDING WITH THE WORK OR BE RESPONSIBLE FOR SAME.

### LOCATION MAPS



### PROJECT DESCRIPTION

END USER PROPOSES TO INSTALL EQUIPMENT ON AN EXISTING STEEL POLE WITHIN AN EXISTING RIGHT-OF-WAY. THE SCOPE WILL CONSIST OF THE FOLLOWING:

- INSTALL PROPOSED SMALL SCALE WIRELESS EQUIPMENT ON AN EXISTING STEEL LIGHT POLE

### CODES

2015 INTERNATIONAL BUILDING CODE  
2017 NATIONAL ELECTRICAL CODE  
TIA/EIA-222-G-2 OR LATEST EDITION  
LOCAL BUILDING/PLANNING CODE

### DRAWING INDEX

SHEET NO:	SHEET TITLE
T-1	TITLE SHEET
SP-1	EXHIBIT PHOTO & SITE PLAN
SP-2	OVERALL SITE PLAN
EV-1	POLE ELEVATIONS
EV-2	POLE ELEVATIONS
PL-1	PLUMBING & RISER DIAGRAM
EQ-1	EQUIPMENT DETAILS
EQ-2	EQUIPMENT DETAILS
E-1	ELECTRICAL DETAILS
G-1	GROUNDING DETAILS
GN-1	GENERAL NOTES
GN-2	GENERAL NOTES
GN-3	GENERAL NOTES
TC-1	TRAFFIC CONTROL PLAN

IT IS A VIOLATION OF THE LAW FOR ANY PERSON, UNLESS THEY ARE ACTING UNDER THE DIRECTION OF A LICENSED PROFESSIONAL ENGINEER, TO ALTER THIS DOCUMENT

9CAB013914  
OAKLAND, CA 94612  
(E) 26'-0" STEEL LIGHT POLE

SHEET TITLE  
TITLE SHEET

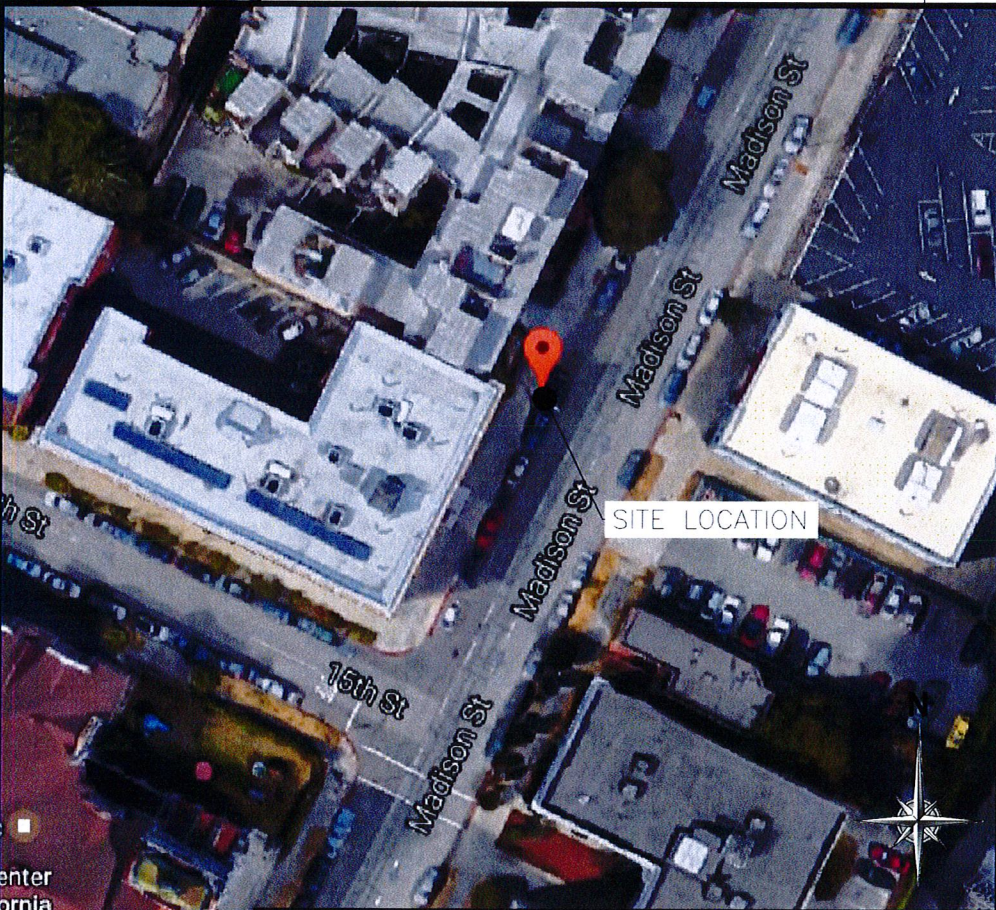
SHEET NUMBER  
T-1



**EXHIBIT PHOTO**

SCALE: NOT TO SCALE

1



**AERIAL SITE LOCATION**

SCALE: NOT TO SCALE

2



(E) 26'-0" STEEL LIGHT POLE  
(MOBILITE SITE POLE)



MEASURED ALONG W. CURBFACE  
125'± N. C/L 15TH ST.

(E) STREET LIGHTING HANDHOLE  
(PROPOSED POWER POINT OF CONNECTION)

(E) BACK OF WALK

SYMBOL			
SYMBOL	DESCRIPTION	SYMBOL	DESCRIPTION
E:DD	EDGE OF DIRT	---	EXISTING CUT
WL	WHITE LINE	-x-x-x-x-	FENCE
ROW	RIGHT OF WAY		WALL
EGP	EDGE OF PAVEMENT	▨	DRIVEWAY
CL	CENTER LINE	—+—+—+—	BUSHES
CF	CURBFACE	⊖	TREE
PL	PROPERTY LINE	⊙	UTILITY POLE
(E)	EXISTING	☀	STREET LIGHT
(N)	NEW	☀	PROPOSED SITE POLE
△	CONDUIT CURVE DATA	⊙	PARKING METER/STREET SIGN
⊙	SPOT ELEVATION	⊙	DETAIL REFERENCE
---		---	EXISTING CUT
⊙		⊙	ANCHOR
⊙		⊙	FIRE HYDRANT
⊙		⊙	UTILITY VALVE
⊙		⊙	UTILITY MANHOLE
⊙		⊙	SEWER MANHOLE
⊙		⊙	SQUARE VENT
⊙		⊙	ROUND VENT
⊙		⊙	DIG-ALERTS
⊙		⊙	TRAFFIC FLOW
⊙		⊙	ADA CURB RAMP

**UNDERGROUND UTILITIES NOTE:**  
THE LOCATIONS AND EXISTENCE OF ANY UNDERGROUND PIPES, STRUCTURES OR CONDUITS SHOWN ON THIS PLAN WERE OBTAINED BY A SEARCH OF AVAILABLE RECORDS. THERE MAY BE EX. UTILITIES OTHER THAN THOSE SHOWN ON THIS PLAN. THE CONTRACTOR IS REQUIRED TO TAKE PRECAUTIONARY MEASURES TO PROTECT THE UTILITY LINES SHOWN AND ANY OTHER LINES NOT SHOWN ON THIS PLAN.

**CONSTRUCTION NOTE:**  
CONTRACTOR TO TAP IN AT THE POC AND RUN A NEW, SEPARATE CIRCUIT THROUGH CITY CONDUIT TO GO TO THE POLE.

**ENLARGED SITE PLAN**

SCALE: 1" = 10'



3

PROJECT NO:	9CAB013914
DRAWN BY:	AH
CHECKED BY:	JM

0	06/02/17	90% CONSTRUCTION
1	09/25/17	REVISED PER PG&E STANDARDS

IT IS A VIOLATION OF THE LAW FOR ANY PERSON, UNLESS THEY ARE ACTING UNDER THE DIRECTION OF A LICENSED PROFESSIONAL ENGINEER, TO ALTER THIS DOCUMENT

9CAB013914  
OAKLAND, CA 94612  
(E) 26'-0" STEEL LIGHT POLE

SHEET TITLE  
EXHIBIT PHOTO & SITE PLAN

SHEET NUMBER  
SP-1

PROJECT NO: 9CAB013914

DRAWN BY: AH

CHECKED BY: JM

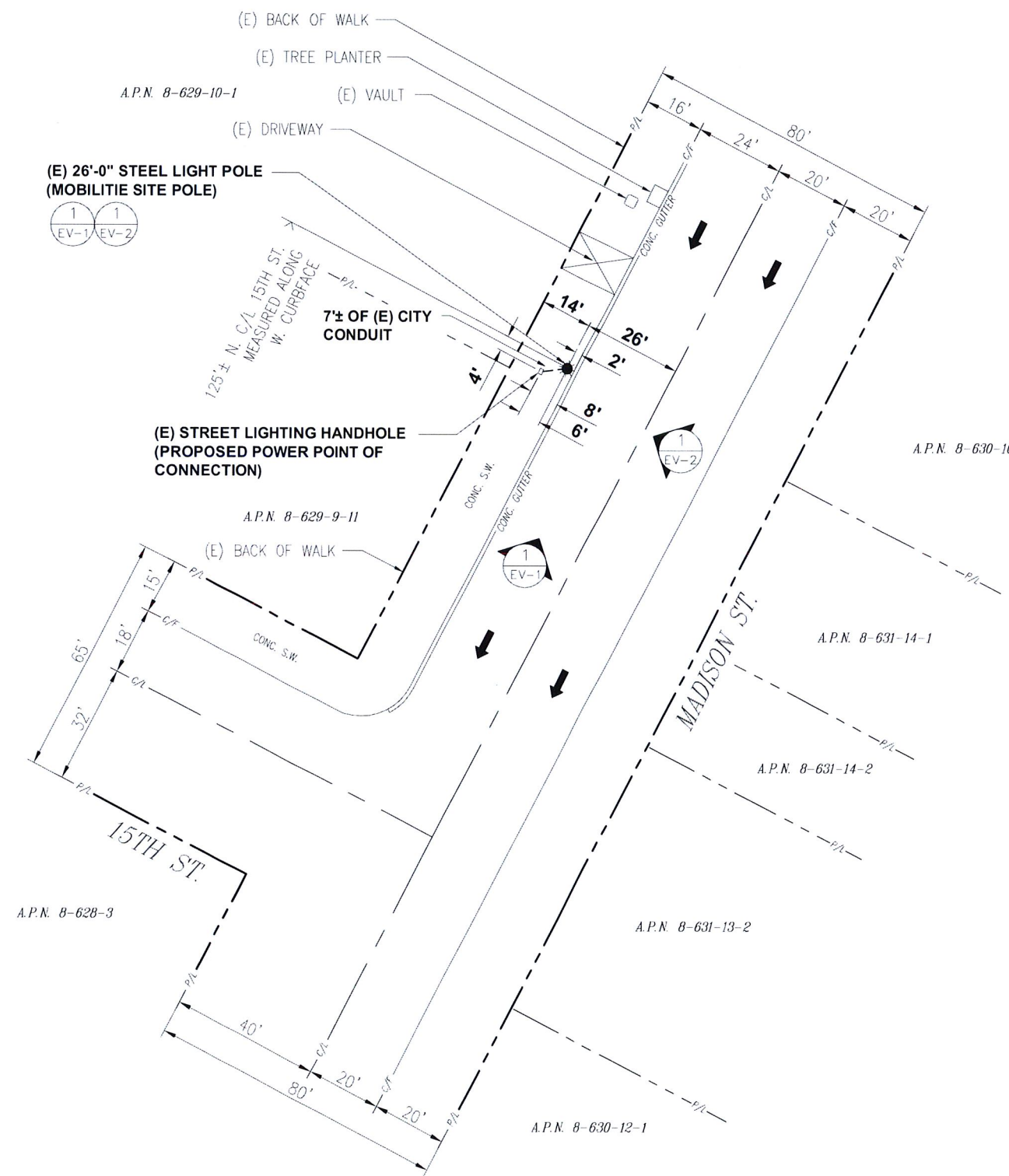
0	06/02/17	90% CONSTRUCTION
1	09/25/17	REVISED PER PG&E STANDARDS

IT IS A VIOLATION OF THE LAW FOR ANY PERSON, UNLESS THEY ARE ACTING UNDER THE DIRECTION OF A LICENSED PROFESSIONAL ENGINEER, TO ALTER THIS DOCUMENT

9CAB013914  
OAKLAND, CA 94612  
(E) 26'-0" STEEL LIGHT POLE

SHEET TITLE  
OVERALL SITE PLAN

SHEET NUMBER  
SP-2



SYMBOLS			
SYMBOL	DESCRIPTION	SYMBOL	DESCRIPTION
E:GD	EDGE OF DIRT	---	EXISTING CUT
WL	WHITE LINE	-x-x-x-x-	FENCE
ROW	RIGHT OF WAY		WALL
E:OP	EDGE OF PAVEMENT	====	DRIVEWAY
CL	CENTER LINE	—●—	BUSHES
CF	CURBSIDE	○	TREE
PL	PROPERTY LINE	○	UTILITY POLE
(E)	EXISTING	☀	STREET LIGHT
(N)	NEW	☀	PROPOSED SITE POLE
(C)	CONDUIT CURVE DATA	⊙	PARKING METER/STREET SIGN
⊕	SPOT ELEVATION	⊕	DETAIL REFERENCE
⊙	ANCHOR	⊙	FIRE HYDRANT
⊙	UTILITY VALVE	⊙	UTILITY MANHOLE
⊙	SEWER MANHOLE	⊙	SQUARE VENT
⊙	ROUND VENT	⊙	DIG ALERTS
→	TRAFFIC FLOW	↻	ADA CURB RAMP

**UNDERGROUND UTILITIES NOTE:**  
THE LOCATIONS AND EXISTENCE OF ANY UNDERGROUND PIPES, STRUCTURES OR CONDUITS SHOWN ON THIS PLAN WERE OBTAINED BY A SEARCH OF AVAILABLE RECORDS. THERE MAY BE EX. UTILITIES OTHER THAN THOSE SHOWN ON THIS PLAN. THE CONTRACTOR IS REQUIRED TO TAKE PRECAUTIONARY MEASURES TO PROTECT THE UTILITY LINES SHOWN AND ANY OTHER LINES NOT SHOWN ON THIS PLAN.

**CONSTRUCTION NOTE:**  
CONTRACTOR TO TAP IN AT THE POC AND RUN A NEW, SEPARATE CIRCUIT THROUGH CITY CONDUIT TO GO TO THE POLE.

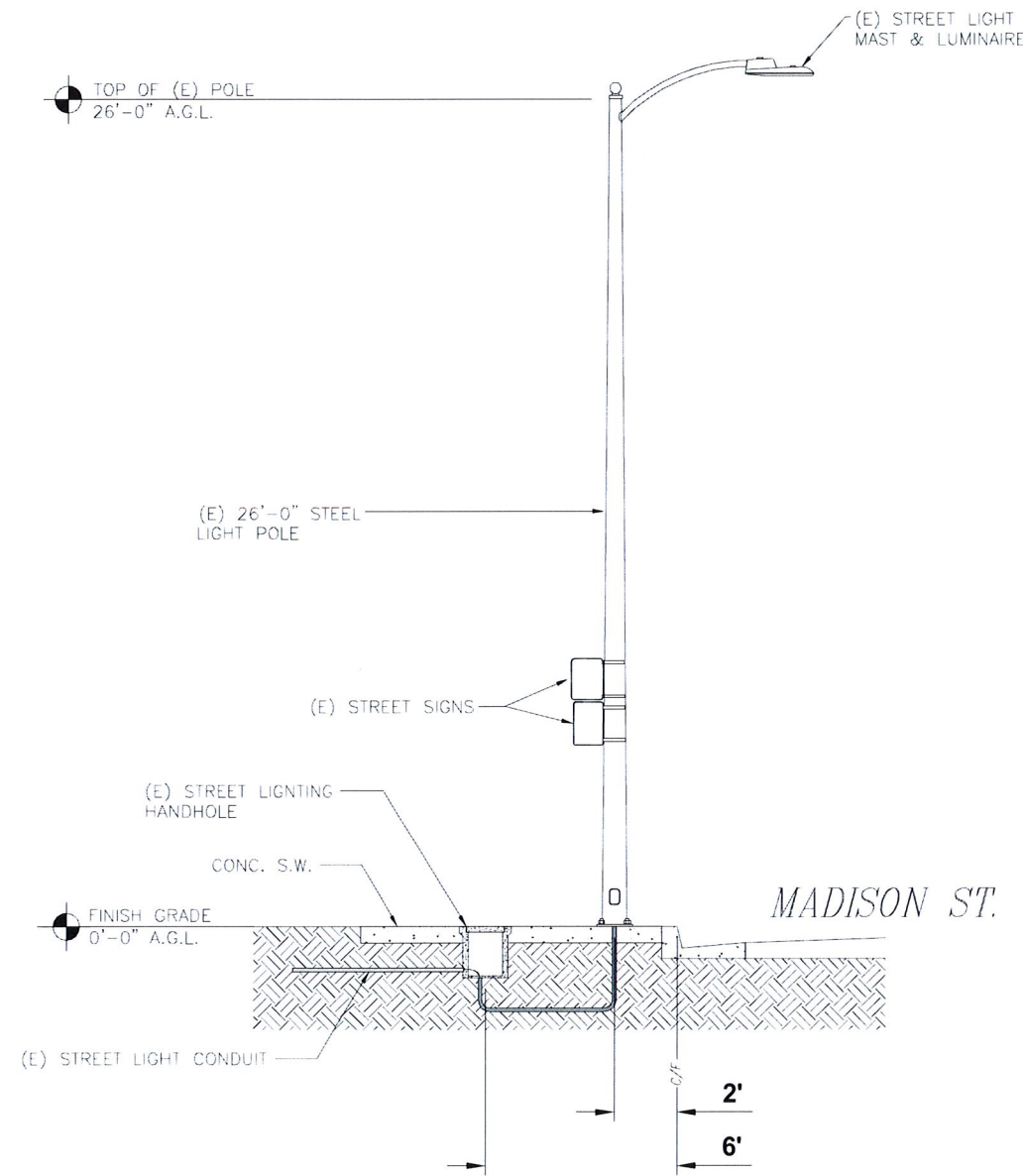


**OVERALL SITE PLAN**  
SCALE: 1" = 20'

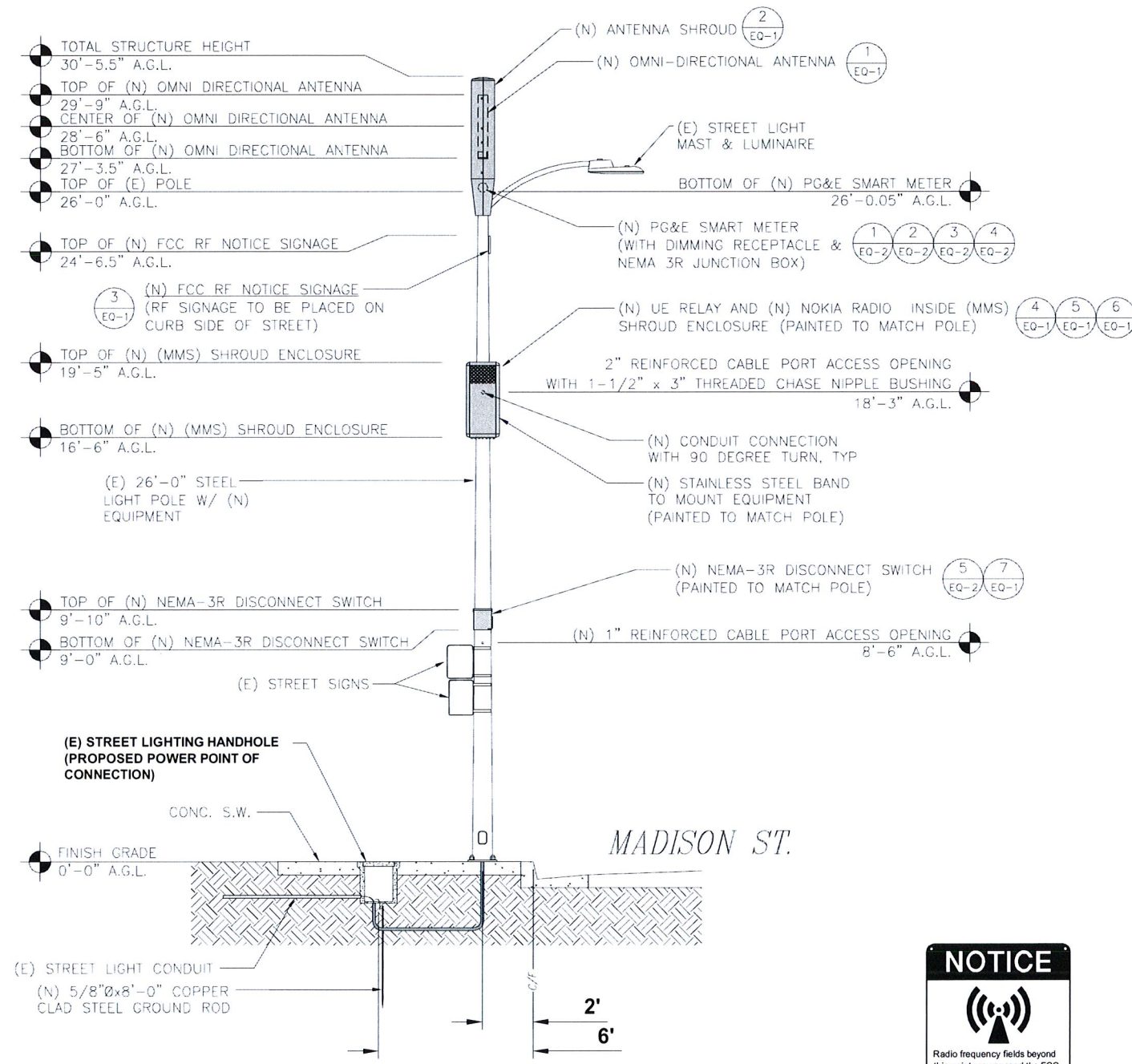
1

**PG&E METERING AND SERVICE CONNECTIONS FOR NON-PG&E OWNED STEEL STREETLIGHT POLES WITH ANTENNA AND COMMUNICATION EQUIPMENT**

5. A DISCONNECT SWITCH MUST BE INSTALLED AND MEETS ALL OF THE FOLLOWING REQUIREMENTS BELOW. THE SWITCH WILL BE USED AS PART OF THE NORMAL OR EMERGENCY SHUTDOWN PROTOCOLS REQUIRED IN CALIFORNIA PUBLIC UTILITY COMMISSION (CPUC) GENERAL ORDER 95, RULE 94.
- 5.1. THE SWITCH SHALL DE-ENERGIZE ALL POWER SUPPLIES, INCLUDING BACK-UP POWER, AND ANY COMMUNICATION EQUIPMENT EMITTING RADIO FREQUENCIES (RF).
- 5.2. THE SWITCH MUST **NOT** DE-ENERGIZE (TURN OFF) THE STREET LIGHT(S).
- 5.3. THE SWITCH MUST BE READILY ACCESSIBLE AND ATTACHED EXTERNALLY ON THE POLE LESS THAN 10 FEET ABOVE GRADE. AS MEASURED TO THE TOP OF THE SWITCH ENCLOSURE.
- 5.4. THE SWITCH MAY **NOT** BE INSTALLED INSIDE THE POLE, IN THE BASE OF THE POLE, OR IN A SUBSURFACE ENCLOSURE.
- 5.5. PROVISIONS FOR LOCKING THE DISCONNECT SWITCH IN THE OFF POSITION ARE REQUIRED.



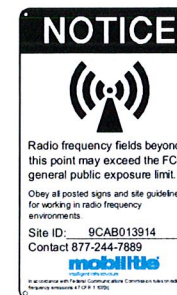
**EXISTING SIDE VIEW**



**NEW SIDE VIEW**

**NOTES:**

1. ALL HARDWARE SHALL BE STAINLESS STEEL.
2. ALL CABLES SHALL BE SECURED TO POLE EVERY 36" OR LESS.
3. LIGHTNING RODS SHALL BE INCLUDED AS REQUIRED.
4. STRUCTURAL BACKFILL TO BE COMPACTED IN 6" MAXIMUM LAYERS TO 95% OF CONTENT IN ACCORDANCE WITH ASTM D698. ADDITIONALLY, STRUCTURAL BACKFILL MUST HAVE A MINIMUM COMPACTED UNIT WEIGHT OF 100 POUNDS PER CUBIC FOOT (16kN/m<sup>3</sup>)



- RF WARNING SIGN WILL BE PAINTED TO MATCH NEW POLE.
- SIGN TO BE NO LARGER THAN 3" X 4".
- SIGN TO BE MOUNTED ON CURB SIDE.

**POLE ELEVATIONS**

SCALE: 1" = 3'

1



PRESCOTT COMMUNICATIONS INC.

10640 Sepulveda Blvd, Suite 1, Mission Hills, CA 91345  
Phone No.: (818)898-2352 Fax No.: (818)898-9186

PROJECT NO: 9CAB013914

DRAWN BY: AH

CHECKED BY: JM

0	06/02/17	90% CONSTRUCTION
1	09/25/17	REVISED PER PG&E STANDARDS

IT IS A VIOLATION OF THE LAW FOR ANY PERSON, UNLESS THEY ARE ACTING UNDER THE DIRECTION OF A LICENSED PROFESSIONAL ENGINEER, TO ALTER THIS DOCUMENT

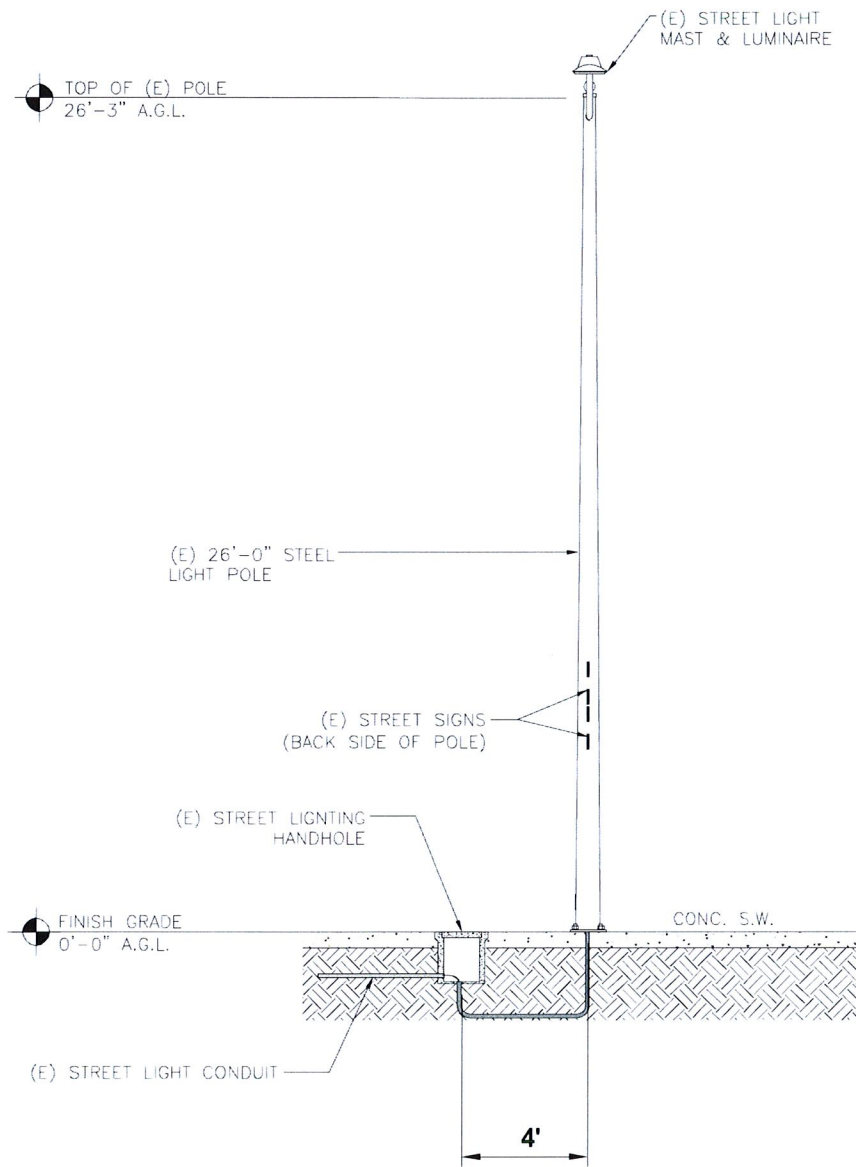
9CAB013914  
OAKLAND, CA 94612  
(E) 26'-0" STEEL LIGHT POLE

SHEET TITLE  
**POLE ELEVATIONS**

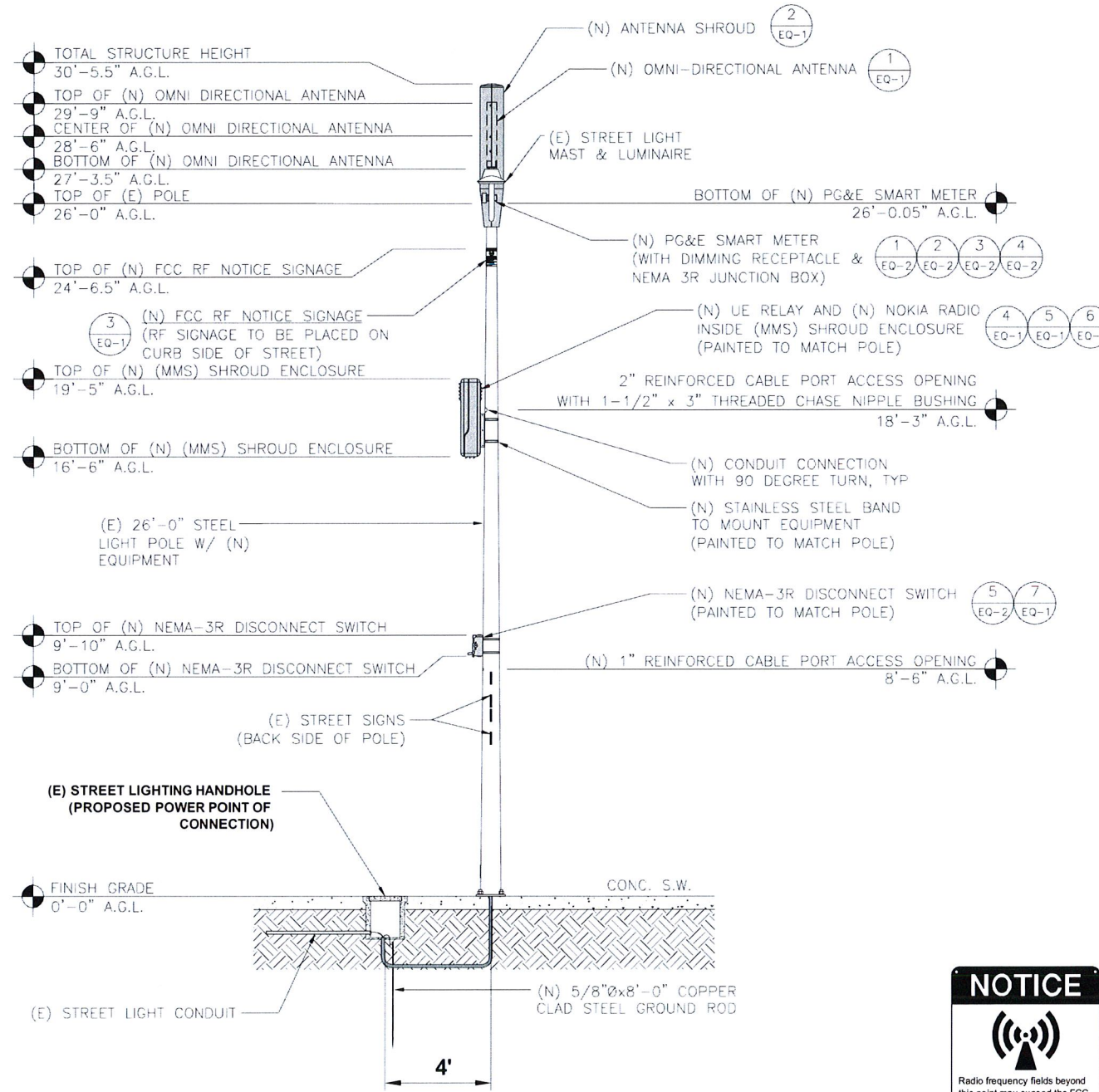
SHEET NUMBER  
**EV-1**

**PG&E METERING AND SERVICE CONNECTIONS FOR NON-PG&E OWNED STEEL STREETLIGHT POLES WITH ANTENNA AND COMMUNICATION EQUIPMENT**

5. A DISCONNECT SWITCH MUST BE INSTALLED AND MEETS ALL OF THE FOLLOWING REQUIREMENTS BELOW. THE SWITCH WILL BE USED AS PART OF THE NORMAL OR EMERGENCY SHUTDOWN PROTOCOLS REQUIRED IN CALIFORNIA PUBLIC UTILITY COMMISSION (CPUC) GENERAL ORDER 95, RULE 94.
- 5.1. THE SWITCH SHALL DE-ENERGIZE ALL POWER SUPPLIES, INCLUDING BACK-UP POWER, AND ANY COMMUNICATION EQUIPMENT EMITTING RADIO FREQUENCIES (RF).
- 5.2. THE SWITCH MUST **NOT** DE-ENERGIZE (TURN OFF) THE STREET LIGHT(S).
- 5.3. THE SWITCH MUST BE READILY ACCESSIBLE AND ATTACHED EXTERNALLY ON THE POLE LESS THAN 10 FEET ABOVE GRADE. AS MEASURED TO THE TOP OF THE SWITCH ENCLOSURE.
- 5.4. THE SWITCH MAY **NOT** BE INSTALLED INSIDE THE POLE, IN THE BASE OF THE POLE, OR IN A SUBSURFACE ENCLOSURE.
- 5.5. PROVISIONS FOR LOCKING THE DISCONNECT SWITCH IN THE OFF POSITION ARE REQUIRED.



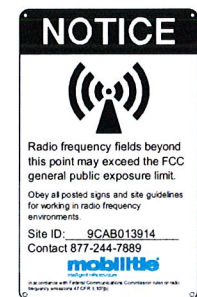
**EXISTING FRONT VIEW**



**NEW FRONT VIEW**

**NOTES:**

1. ALL HARDWARE SHALL BE STAINLESS STEEL.
2. ALL CABLES SHALL BE SECURED TO POLE EVERY 36" OR LESS.
3. LIGHTNING RODS SHALL BE INCLUDED AS REQUIRED.
4. STRUCTURAL BACKFILL TO BE COMPACTED IN 6" MAXIMUM LAYERS TO 95% OF CONTENT IN ACCORDANCE WITH ASTM D698. ADDITIONALLY, STRUCTURAL BACKFILL MUST HAVE A MINIMUM COMPACTED UNIT WEIGHT OF 100 POUNDS PER CUBIC FOOT (16kN/m3)



- RF WARNING SIGN WILL BE PAINTED TO MATCH NEW POLE.
- SIGN TO BE NO LARGER THAN 3'x4'.
- SIGN TO BE MOUNTED ON CURB SIDE.

**POLE ELEVATIONS**  
SCALE: 1" = 3'



PRESCOTT COMMUNICATIONS INC.  
10640 Sepulveda Blvd. Suite 1, Mission Hills, CA 91345  
Phone No.: (818)898-2352 Fax No.: (818)898-9186

PROJECT NO: 9CAB013914  
DRAWN BY: AH  
CHECKED BY: JM

0	06/02/17	90% CONSTRUCTION
1	09/25/17	REVISED PER PG&E STANDARDS

IT IS A VIOLATION OF THE LAW FOR ANY PERSON, UNLESS THEY ARE ACTING UNDER THE DIRECTION OF A LICENSED PROFESSIONAL ENGINEER, TO ALTER THIS DOCUMENT

9CAB013914  
OAKLAND, CA 94612  
(E) 26'-0" STEEL LIGHT POLE

SHEET TITLE  
**POLE ELEVATIONS**

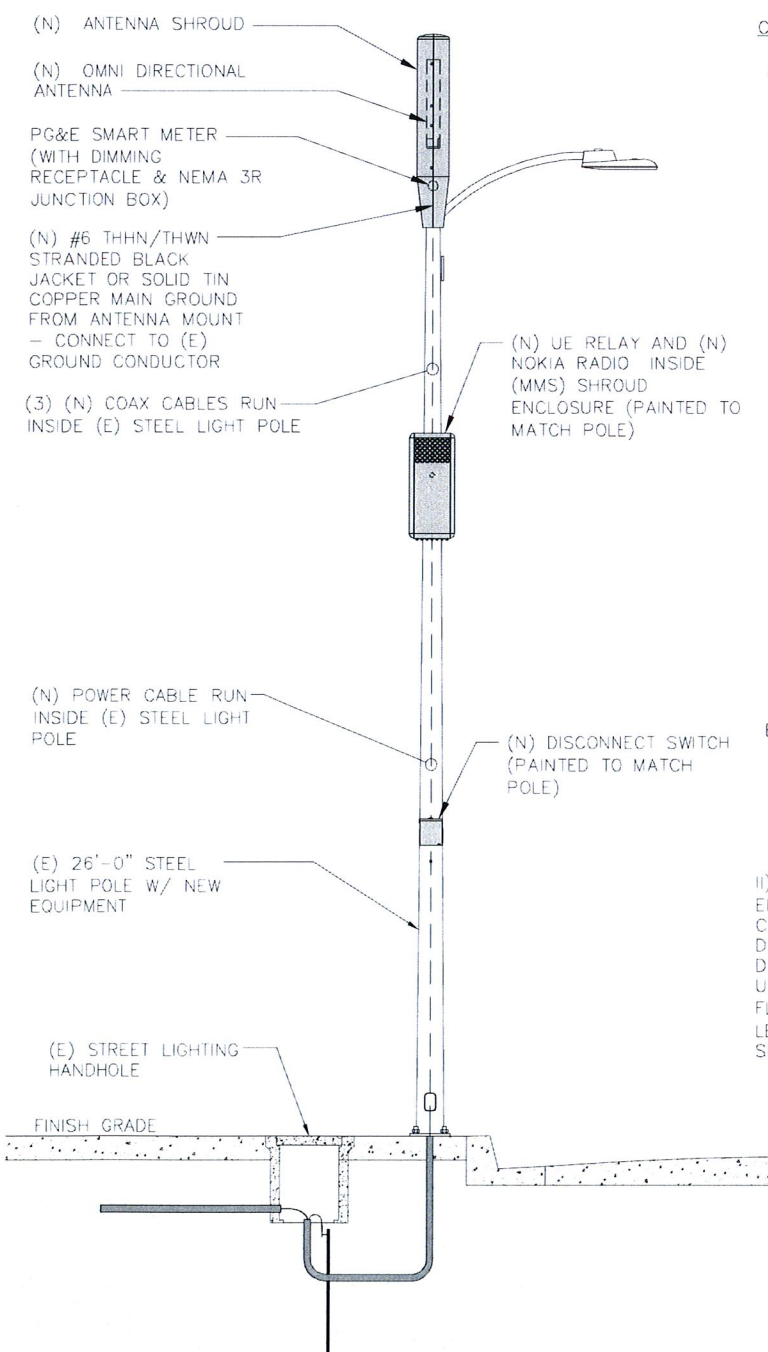
SHEET NUMBER  
**EV-2**



**NOTE:**  
 1. CABLING DIAGRAM IS FOR CLARITY OF CABLE ROUTE AND TERMINATION ONLY. CONTRACTOR SHALL INSTALL CABLES WITH MINIMAL VISUAL IMPACT ON (E) STEEL LIGHT POLE. SEE ELEVATION DRAWING FOR EQUIPMENT AND ANTENNA LOCATIONS.

**CABLING NOTES:**

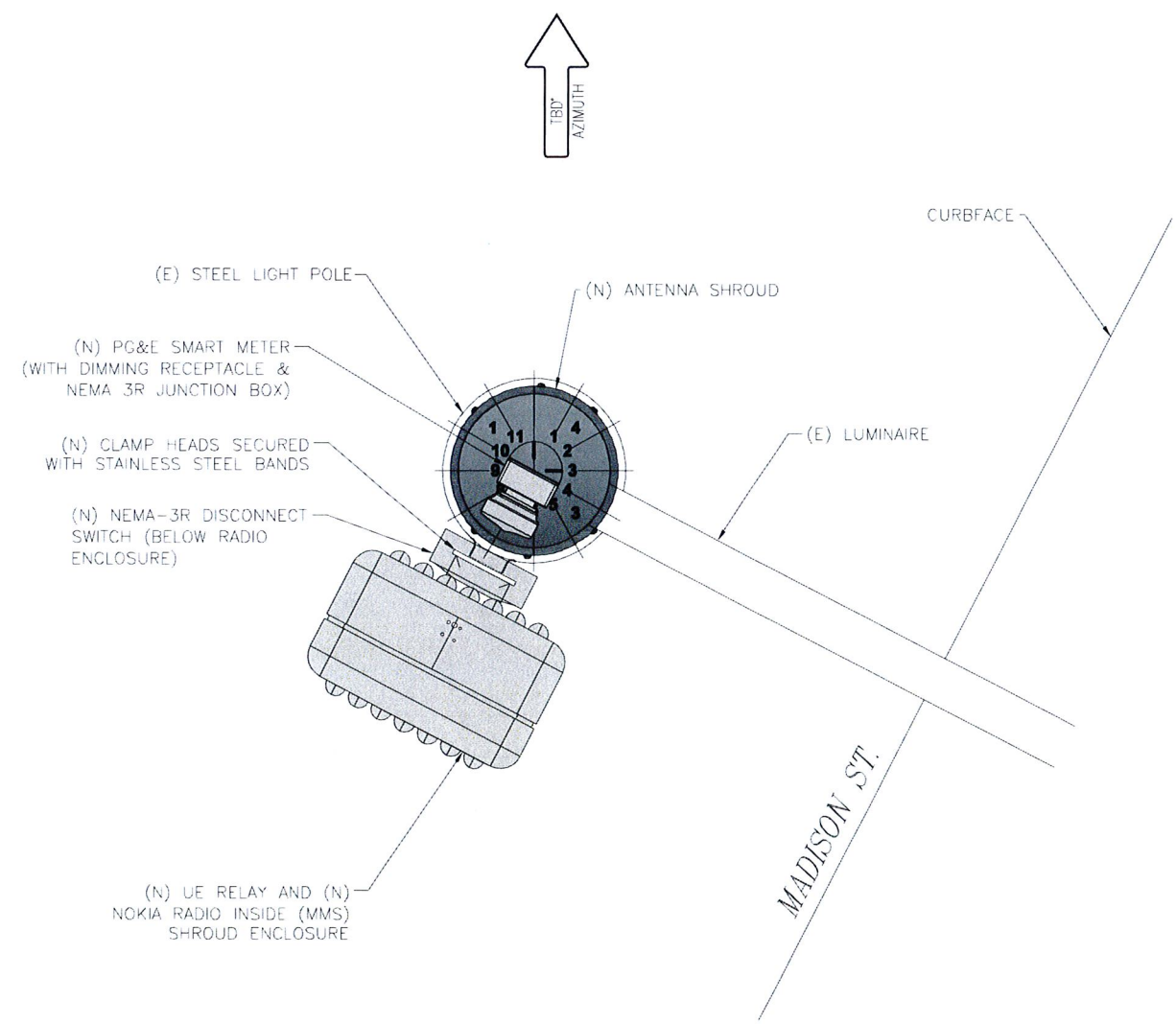
- A) WOOD, CONCRETE AND EXISTING METALLIC POLES  
 I) FROM GRADE LINE TO 11'-0" ABOVE GRADE, ALL CABLES/CONDUCTORS EXCEPT GROUNDING CONDUCTOR MUST RUN IN RIGID GALVANIZED STEEL CONDUIT (RGS)  
 II) GROUNDING CONDUCTORS IN EXPOSED LOCATIONS MUST BE INSTALLED IN PVC.  
 III) IN EARTH INSTALL PVC CONDUIT FOR BACKHAUL AND ELECTRICAL SERVICE. TRANSITION TO RGS AT GRADE LINE.  
 IV) ABOVE 11'-0" ALL CABLES (POWER, ETHERNET, COAXIAL) MUST RUN IN PVC UTILITY POLE RISER.  
 (1) AT MAJOR EQUIPMENT, EXTEND UTILITY DUCT IMMEDIATELY ADJACENT TO THE EQUIPMENT. INSTALL CABLES IN THE UTILITY POLE RISER CREATING CABLE DRIP LOOPS NOT LESS THAN THE CABLE BENDING RADIUS.  
 (2) INSIDE THE UTILITY POLE RISER, UTILIZE 1/2" COAX BLOCKS WITH LAG SCREWS TO SUPPORT COAX, RADIO AND MW POWER, RF COAX, AND ETHERNET CABLES TO WITHIN 12" OF THE EQUIPMENT BEING SERVED AND ON INTERVALS NOT TO EXCEED 6'.  
 V) FOR UNDERGROUND HFC/PUBLIC BACKHAUL, ROUTE ETHERNET CABLE IN CONDUIT UP THE POLE AND ENTER THE UTILITY POLE RISER. SEAL EXPOSED END OF CONDUIT WITH A CABLE TERMINATION FITTING.  
 VI) BY APPROVAL IN SELECT CASES LIQUID-TIGHT FLEXIBLE METALLIC CONDUIT (LFMC) MAY BE USED IN LENGTHS NOT TO EXCEED 36" TO EXTEND THE ELECTRICAL SERVICE CONDUIT TO THE AC DISTRIBUTION BOX. EXAMPLE: UTILITY-REQUIRED DISCONNECT ON POLE W/ AC DISTRIBUTION BOX ON OPPOSITE SIDE OF POLE.  
 B) (N) METALLIC POLES  
 I) PROCURE (N) POLES WITH SUITABLE HAND HOLES SUCH THAT HAND HOLES EXIST AT ALL EQUIPMENT LOCATIONS.  
 (1) WITH CLIENT APPROVAL IN SELECT CASES TO FACILITATE IMPROVED APPEARANCE, 1/2" COAXIAL CABLES MAY BE "SUPERFLEX" IN LIEU OF LDF-4.  
 II) WHERE POSSIBLE, INSTALL POLE BASE SUCH THAT THE ELECTRICAL FEED AND BACKHAUL (IF UNDERGROUND) CIRCUIT ENTER THE POLE THROUGH THE POLE BASE. IF A DISCONNECTING MEANS SEPARATE FROM THE AC DISTRIBUTION BOX IS REQUIRED BY JURISDICTION OR UTILITY, WITH APPROVAL IN SELECT CASES LIQUID-TIGHT FLEXIBLE METALLIC CONDUIT (LFMC) MAY BE USED IN LENGTHS NOT TO EXCEED 36" TO EXTEND THE ELECTRICAL SERVICE CONDUIT TO THE AC DISTRIBUTION BOX.



**PLUMBING DIAGRAM**  
 SCALE: NOT TO SCALE 1

EQUIPMENT CHART			
QTY.	DESCRIPTION	DIMENSIONS	WEIGHT
1	ANTENNA MODEL #AW3477-S1-G (OMNI DIRECTIONAL ANTENNA)	29.5" x 4.5"Ø	7 LBS
1	CONCEALFAB ANTENNA SHROUD	47.375" x 17" x 10.75"Ø	16.11 LBS
1	(MMS) SHROUD ENCLOSURE	35" x 15.5" x 9"	12 LBS
1	AIRSPAN IR460 (UE RELAY)	13" x 7"Ø	8.8 LBS
1	NOKIA RADIO (B41 FWHR) HIGH POWER	7.7" x 12.9" x 6.3"	24.64 LBS
3	FANS (2 SMALL, 1 LARGER)		2.76 LBS
1	SMART METER	2.67" x 4.5"Ø	-
1	RECEPTACLE	-	-
1	ALLEN-BRADLEY NEMA 3R JUNCTION BOX	4.53" x 2.58" x 2.17"	-
1	SIEMENS DISCONNECT SWITCH MODEL #GNF321 NEMA-3R	9.9" x 8.8" x 4.5"	5 LBS.
	TOTAL WEIGHT		76.31 LBS

**EQUIPMENT CHART**  
 SCALE: NOT TO SCALE 2



**RISER DIAGRAM**  
 SCALE: NOT TO SCALE 3



PRESCOTT COMMUNICATIONS INC.  
 10640 Sepulveda Blvd. Suite 1, Mission Hills, CA 91345  
 Phone No.: (818)898-2352 Fax No.: (818)898-9186

PROJECT NO: 9CAB013914  
 DRAWN BY: AH  
 CHECKED BY: JM

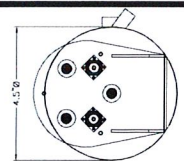
REV	DATE	DESCRIPTION
0	06/02/17	90% CONSTRUCTION
1	09/25/17	REVISED PER PG&E STANDARDS

IT IS A VIOLATION OF THE LAW FOR ANY PERSON, UNLESS THEY ARE ACTING UNDER THE DIRECTION OF A LICENSED PROFESSIONAL ENGINEER, TO ALTER THIS DOCUMENT

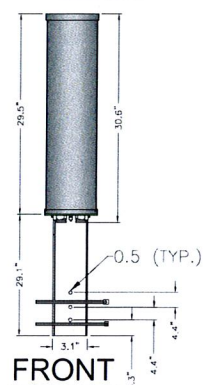
9CAB013914  
 OAKLAND, CA 94612  
 (E) 26'-0" STEEL LIGHT POLE

SHEET TITLE  
**PLUMBING & RISER DIAGRAM**

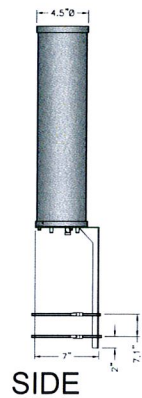
SHEET NUMBER  
**PL-1**



PLAN



FRONT



SIDE

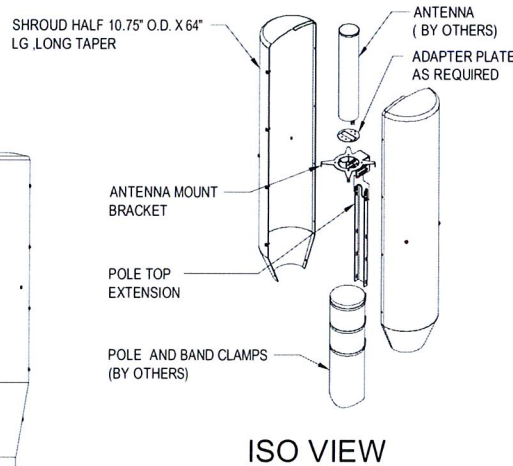
MANUFACTURER: ALPHA WIRELESS  
 MODEL: AW3477-S1-G  
 HEIGHT: 29.5 IN  
 DIAMETER: 4.5 IN Ø  
 WEIGHT: 7 LBS



**ALPHA AW3477-S1-G OMNI (B41)**

SCALE N.T.S. 1

MANUFACTURER:	CONCEALFAB
MODEL NO.:	007452-AABBCC
DIMENSIONS:	TOTAL WEIGHT:
A 47.375"	16.11 LBS
B 17"	
C 10.75" Ø	



PLAN SIDE FRONT

**ANTENNA SHROUD**

SCALE N.T.S. 2

**NOTICE**

Radio frequency fields beyond this point may exceed the FCC general public exposure limit.

Obey all posted signs and site guidelines for working in radio frequency environments.

Site ID: 9CAB013914  
 Contact 877-244-7889

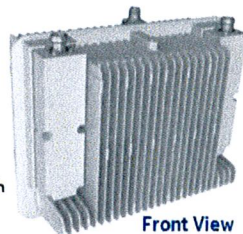
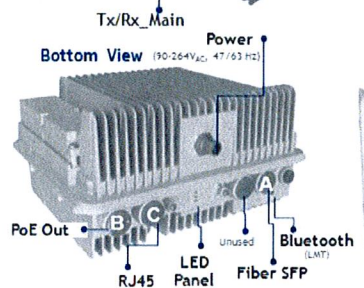
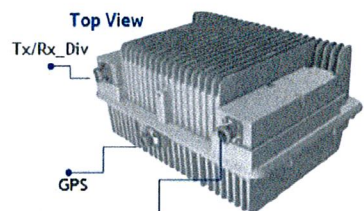
- NON EMERGENCY NODE SITE POWER SHUT DOWN PROCEDURES**
- FOR NON EMERGENCY SCHEDULED POWER SHUT DOWN
    - CALL MOBILITE (877) 244-7889
    - 24 HRS PRIOR TO SCHEDULED POWER SHUT OFF PROVIDE THE FOLLOWING INFORMATION
      - SITE NUMBER IDENTIFIED ON SITE NUMBERING STICKER
      - YOUR NAME AND REASON FOR POWER SHUT OFF
      - PROVIDE DURATION OF OUTAGE
    - PULL DISCONNECT HANDLE TO "OFF" POSITION
    - POWER SHUT OFF VERIFICATION WITH APPROVED PG&E PROCEDURES
    - NOTIFY MOBILITE UPON COMPLETION OF WORK
    - RESTORE POWER BY PLACING POWER DISCONNECT HANDLE IN THE "ON" POSITION
  - REINSTALL LOCK ON POWER HANDLE
  - EMERGENCY POWER SHUT OFF
    - CALL MOBILITE (877) 244-7889
    - PROVIDE THE FOLLOWING INFORMATION
      - SITE NUMBER IDENTIFIED ON SITE NUMBERING STICKER
      - YOUR NAME AND REASON FOR POWER SHUT OFF
      - PROVIDE DURATION OF OUTAGE
    - PULL DISCONNECT HANDLE TO "OFF" POSITION
    - POWER SHUT OFF VERIFICATION WITH APPROVED PG&E PROCEDURES
    - NOTIFY MOBILITE UPON COMPLETION OF WORK
    - RESTORE POWER BY PLACING POWER DISCONNECT HANDLE IN THE "ON" POSITION
    - REINSTALL LOCK ON POWER HANDLE

SHUT DOWN PROCEDURE SIGN

ANTENNA RF SIGNAGE

**POLE MOUNTED SIGNS**

SCALE N.T.S. 3



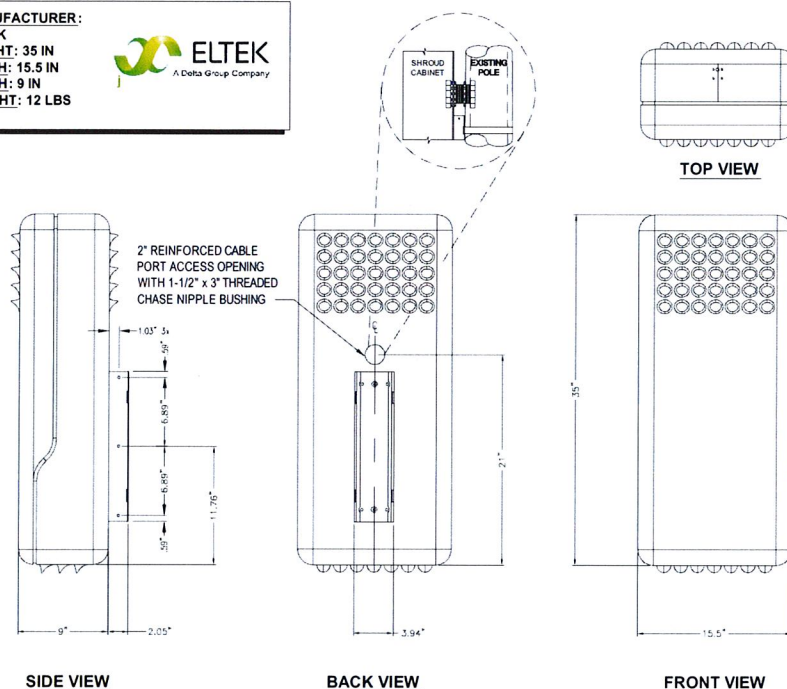
MANUFACTURER: NOKIA  
 MODEL: FWHR B41 HP  
 (OR APPROVED EQUAL)  
 HEIGHT: 9.7 IN  
 WIDTH: 12.9 IN  
 DEPTH: 6.3 IN  
 WEIGHT: 24.7 LBS



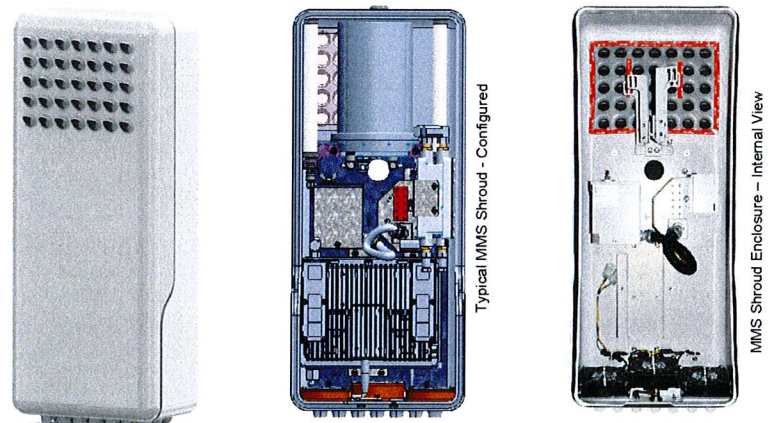
**NOKIA RADIO FWHR B41 HP**

SCALE N.T.S. 4

MANUFACTURER: ELTEK  
 HEIGHT: 35 IN  
 WIDTH: 15.5 IN  
 DEPTH: 9 IN  
 WEIGHT: 12 LBS



SIDE VIEW BACK VIEW FRONT VIEW



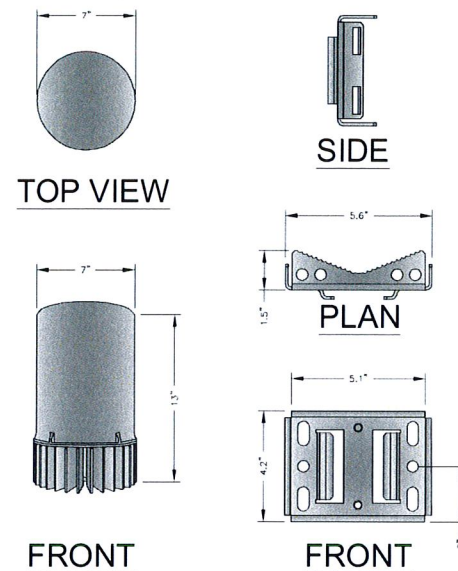
Typical MMS Shroud - Configured

MMS Shroud Enclosure - Internal View

**(MMS) SHROUD ENCLOSURE**

SCALE N.T.S. 5

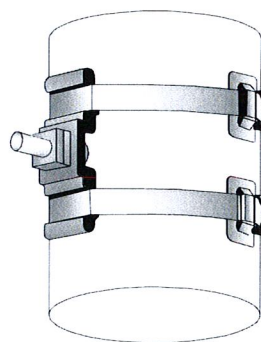
MANUFACTURER: AIRSPAN  
 MODEL: IR460  
 (OR APPROVED EQUAL)  
 HEIGHT: 13 IN  
 DIAMETER: 7 IN Ø  
 DEPTH: 7 IN  
 WEIGHT: 8.8 LBS



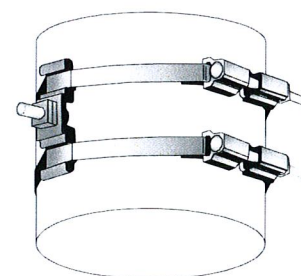
BACK FRONT FRONT

**IR460 UE RELAY/FLUSH MOUNT**

SCALE N.T.S. 6



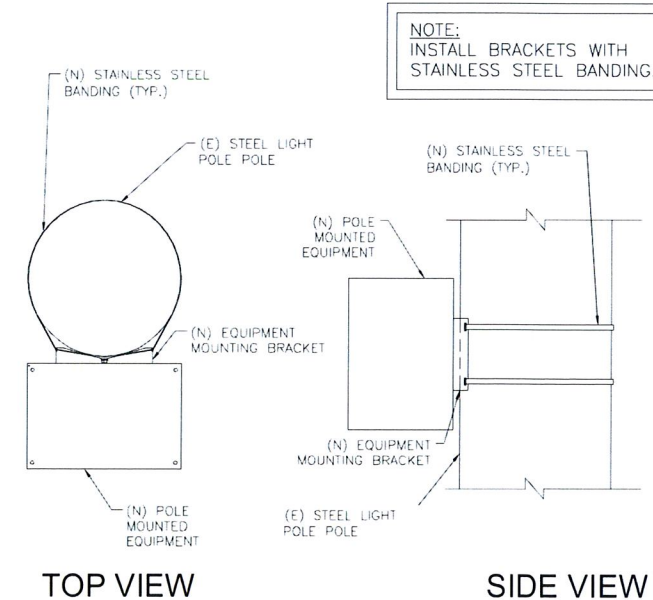
**Ear-Lokt Buckle**  
 Use double wrapped band clamp applied with G40269 tool for maximum strength and holding power.  
 D51089 D51289, D51389  
 - Use G43099 Band - Use G43299 Band  
 - Use G44099 Buckle - Use G44299 Buckle



**Bolt Clamp** - See installation instructions P07387  
 D51089 D51289, D51389  
 - Use G43099 Band - Use G43299 Band  
 - Use D50089 Bolt Clamp - Use D50489 Bolt Clamp

**STAINLESS STEEL BANDS**

SCALE N.T.S. 7



TOP VIEW SIDE VIEW

NOTE: INSTALL BRACKETS WITH STAINLESS STEEL BANDING.

**EQUIPMENT MOUNTING DETAIL**

SCALE N.T.S. 8



PRESCOTT COMMUNICATIONS INC.  
 10640 Sepulveda Blvd, Suite 1, Mission Hills, CA 91345  
 Phone No.: (818)998-2352 Fax No.: (818)998-9186

PROJECT NO: 9CAB013914

DRAWN BY: AH

CHECKED BY: JM

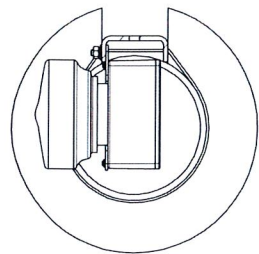
0	06/02/17	90% CONSTRUCTION
1	09/25/17	REVISED PER PG&E STANDARDS

IT IS A VIOLATION OF THE LAW FOR ANY PERSON, UNLESS THEY ARE ACTING UNDER THE DIRECTION OF A LICENSED PROFESSIONAL ENGINEER, TO ALTER THIS DOCUMENT

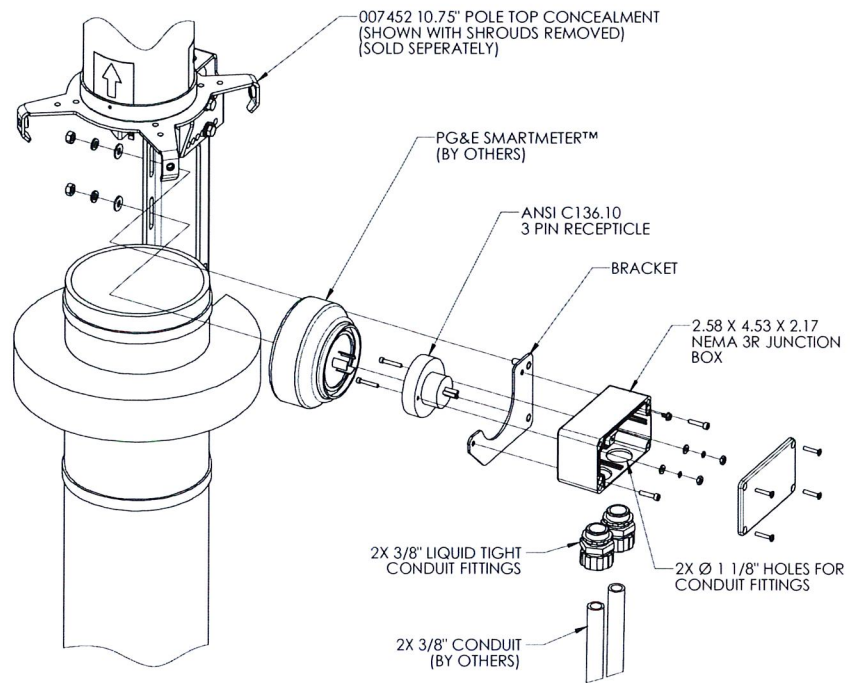
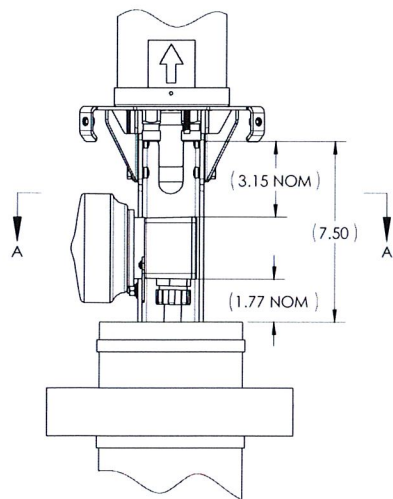
9CAB013914  
 OAKLAND, CA 94612  
 (E) 26'-0" STEEL LIGHT POLE

SHEET TITLE  
 EQUIPMENT DETAILS

SHEET NUMBER  
 EQ-1



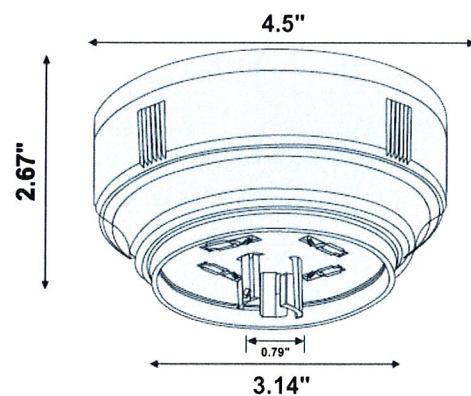
SECTION A-A



**PG&E SMART METER**

SCALE  
N.T.S. **1**

- UNIVERSAL AC INPUT 90V-305V, 50/60HZ
- AMPERE RATING: 15A MAX CONTINUOUS
- ADVANCED METERING INFRASTRUCTURE (AMI) NETWORK COMMUNICATION CARD TO REMOTELY SEND ENERGY USAGE BACK TO THE HEAD-END SYSTEM:
- DATE RATE: 50 TO 300 KBPS
- FREQUENCY RANGE: 902-928 MHZ
- SPREAD SPECTRUM: FREQUENCY HOPPING
- TRANSMITTER OUTPUT: 27-30 DBM (1W)
- RECEIVER SENSITIVITY: -98 DBM FOR 10% PER
- PROTOCOL: IEEE 802.15.4G



**PG&E SMART METER**

SCALE  
N.T.S. **2**

**NEMA-3R DISCONNECT SWITCH**

SCALE  
N.T.S. **5**

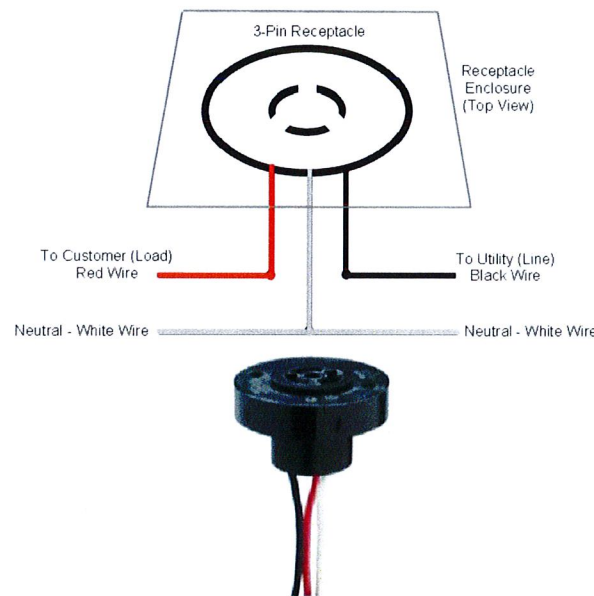


MANUFACTURER:  
ALLEN-BRADLEY  
MODEL: 598-BS533  
HEIGHT: 4.53 IN  
WIDTH: 2.58 IN  
DEPTH: 2.17 IN  
WEIGHT: TBD

**Rockwell Automation**  
Allen-Bradley

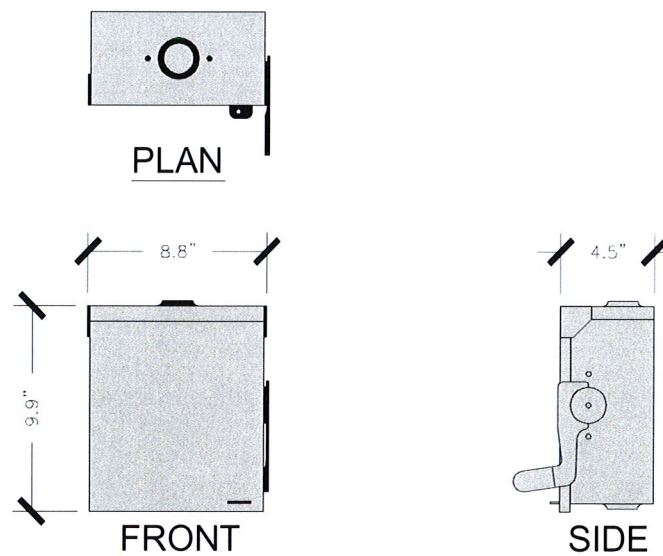
**NEMA 3R JUNCTION BOX**

SCALE  
N.T.S. **3**



**DIMMING RECEPTACLE**

SCALE  
N.T.S. **4**



MANUFACTURER:  
SIEMENS  
MODEL: GNF321R  
(OR APPROVED EQUAL)  
HEIGHT: 9.9 IN  
WIDTH: 8.8 IN  
DEPTH: 4.5 IN  
WEIGHT: 5 LBS

**SIEMENS**

SEE DETAIL



**PG&E SMART METER**

SCALE  
N.T.S. **2**

**NEMA-3R DISCONNECT SWITCH**

SCALE  
N.T.S. **5**

**mobilitie**  
intelligent infrastructure

**CES** cable engineering services

PRESCOTT COMMUNICATIONS INC.

10640 Sepulveda Blvd, Suite 1, Mission Hills, CA 91345  
Phone No.: (818)898-2352 Fax No.: (818)898-9186

PROJECT NO: 9CAB013914

DRAWN BY: AH

CHECKED BY: JM

0	06/02/17	90% CONSTRUCTION
1	09/25/17	REVISED PER PG&E STANDARDS

IT IS A VIOLATION OF THE LAW FOR ANY PERSON, UNLESS THEY ARE ACTING UNDER THE DIRECTION OF A LICENSED PROFESSIONAL ENGINEER, TO ALTER THIS DOCUMENT.

9CAB013914  
OAKLAND, CA 94612  
(E) 26'-0" STEEL LIGHT POLE

SHEET TITLE  
EQUIPMENT DETAILS

SHEET NUMBER  
EQ-2

PROJECT NO: 9CAB013914

DRAWN BY: AH

CHECKED BY: JM

0	06/02/17	90% CONSTRUCTION
1	09/25/17	REVISED PER PG&E STANDARDS

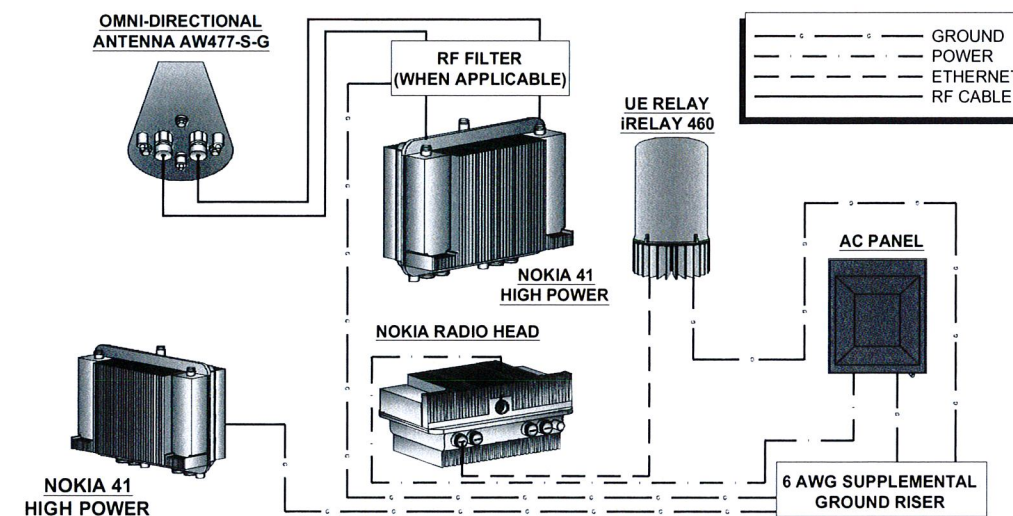
IT IS A VIOLATION OF THE LAW FOR ANY PERSON, UNLESS THEY ARE ACTING UNDER THE DIRECTION OF A LICENSED PROFESSIONAL ENGINEER, TO ALTER THIS DOCUMENT

9CAB013914  
OAKLAND, CA 94612  
(E) 26'-0" STEEL LIGHT POLE

SHEET TITLE  
**ELECTRICAL DETAILS**

SHEET NUMBER  
**E-1**

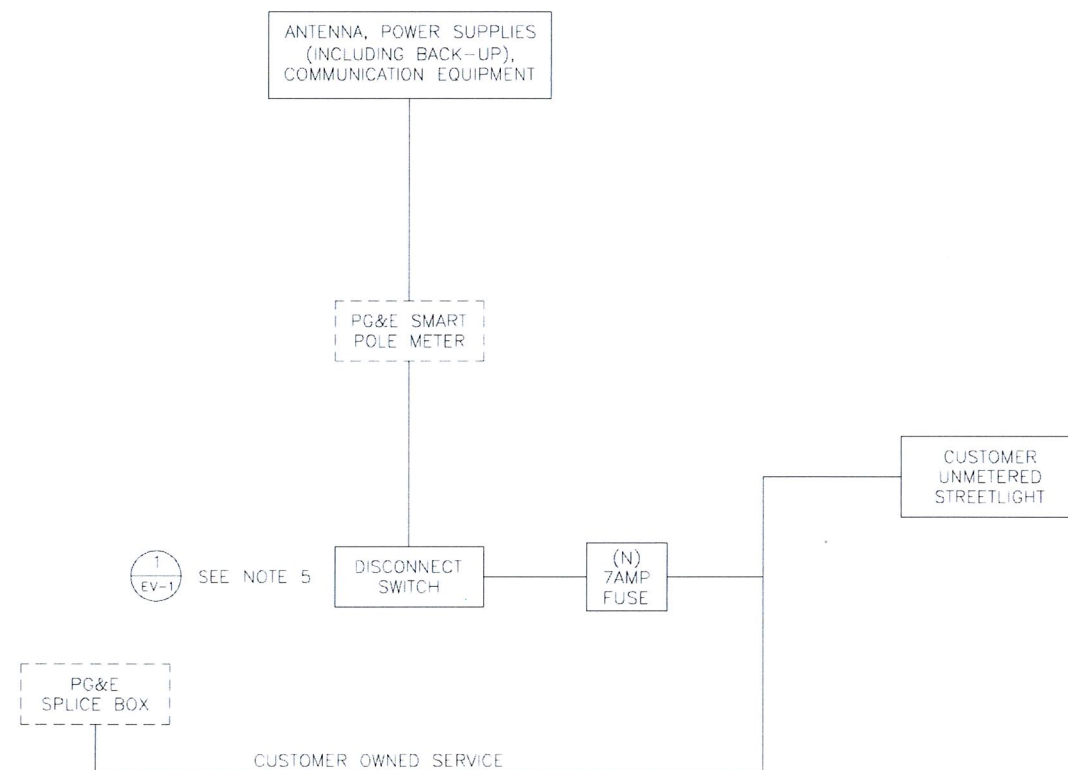
### NOKIA MM RADIO W/ UE RELAY



### WIRING DIAGRAM

SCALE: NOT TO SCALE

2



### ONE-LINE DIAGRAM

SCALE: NOT TO SCALE

1

#### NOTES:

1. NOMINAL POWER IS CALCULATED AS 80% OF OEM DOCUMENTED MAXIMUM POWER.
2. CALCULATIONS FOR UE W/ NOKIA DO NOT NEED TO INCLUDE THE POWER FOR THE UE ANTENNA AS IT IS INCLUDED IN THE MAX POWER FIGURE. CALCULATIONS FOR UE W/ AIRSPAN MUST INCLUDE UE AS IT IS NOT INCLUDED
3. KVA IS CALCULATED FROM THE CONSUMPTION VALUE ASSUMING A PF=1. MAXIMUM POWER WAS USED FOR KVA. WHERE MAXIMUM WAS NOTED BY THE OEM THE QUOTED FIGURE WAS USED. WHERE AVERAGE/NOMINAL POWER WAS NOTED BY THE OEM MAXIMUM POWER WAS CALCULATED BY INCREASING AVERAGE/NOMINAL POWER BY A FACTOR OF 50%
4. COST PER KW PROVIDED BY BRAIN KOOYMAN

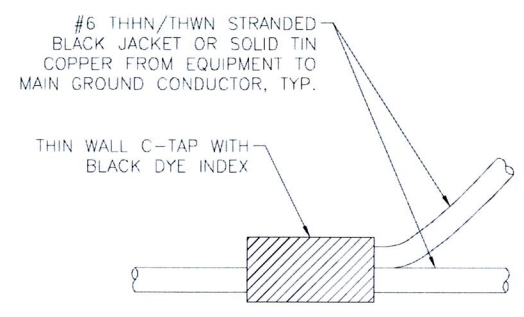
NOKIA SCENARIO 3 B41 HIGH POWER RADIO AND UE BACKHAUL									
UNIT	SUB DESCRIPTION	MAX POWER	NOMINAL POWER	AVERAGE POWER (W)	CONS. (W)	KVA	KWH/YR	\$/YR	\$/MO
FWHR	B41 High	360	288	N/A	288	0.36	2522.88	\$276.51	\$23.04
AIRSPAN UE RELAY	IR460-SPB-ST1-P-0	N/A	N/A	N/A	0	0	0	\$-	\$-
TOTAL					288	0.36	2522.88	\$276.51	\$23.04

### LOAD CALCULATIONS

SCALE: NOT TO SCALE

3

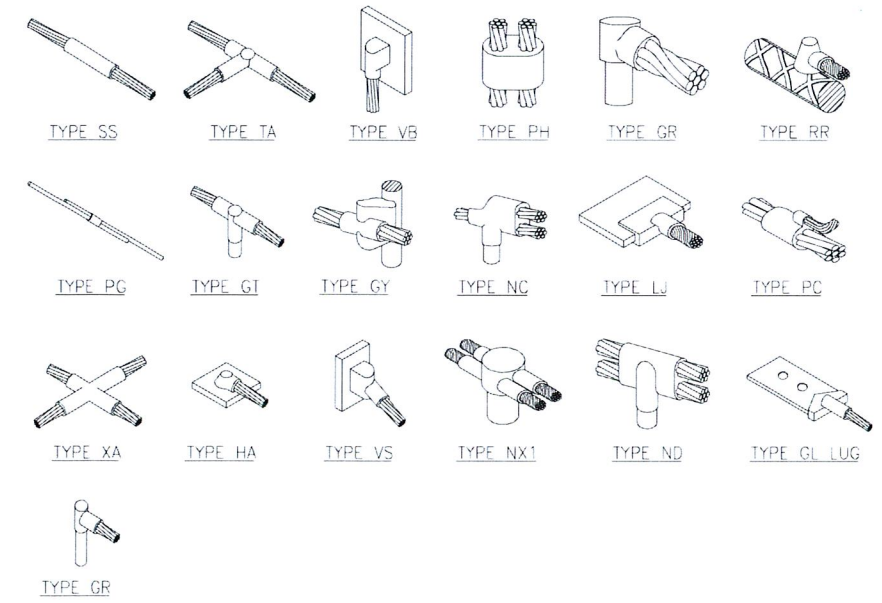
NOTE:  
CONTRACTOR TO SURROUND COMPLETED CONNECTION WITH HEAT-SHRINK TUBING TO ENSURE WEATHER PROOF CONNECTION



**C-TAP DETAIL**

SCALE: NOT TO SCALE

1

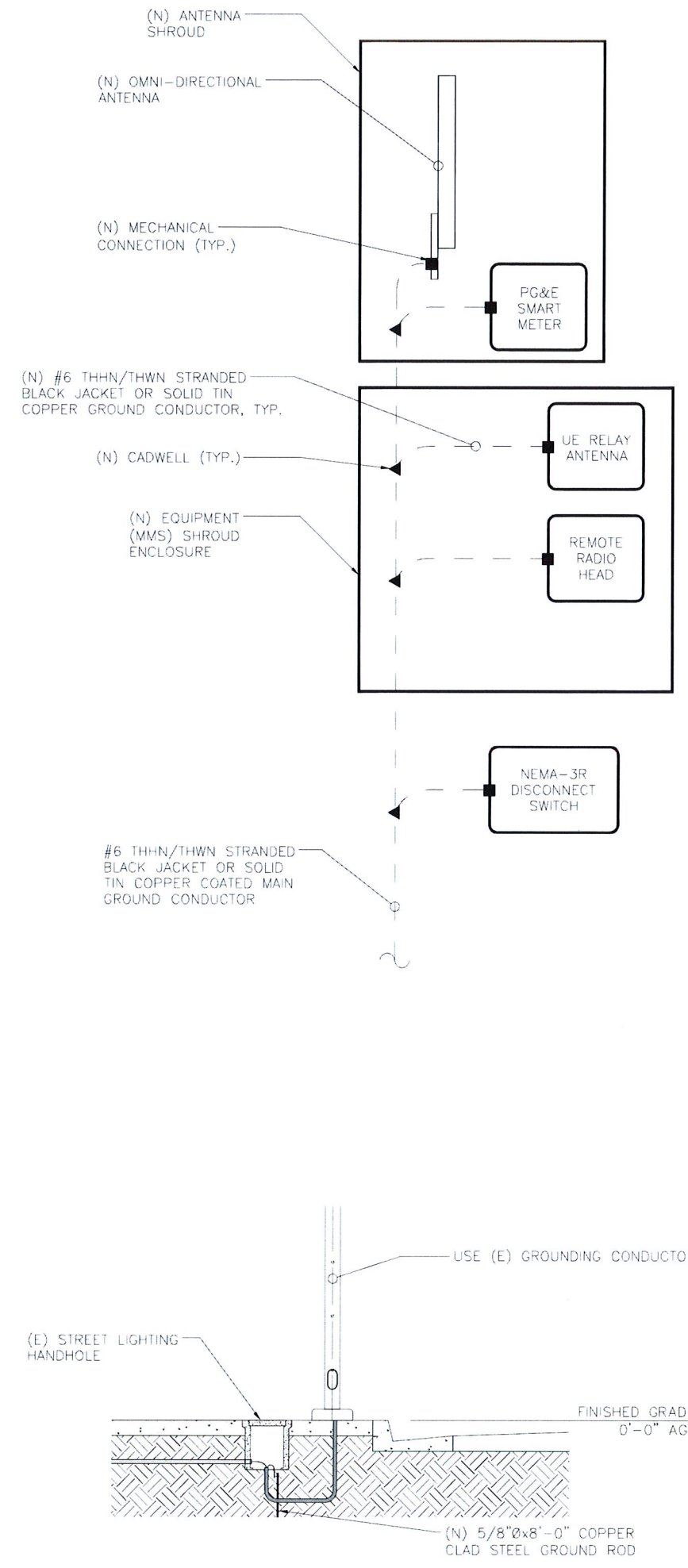


1. **GROUNDING BONDS:** ALL BONDS ARE TO BE MADE WITH #2 AWG STRANDED COPPER IN GREEN INSULATION. (ATT-TP-76416 7, 6.7)
2. **EXTERIOR UNIT BONDS:** ALL METALLIC OBJECTS SHALL BE BONDED TO THE GROUND ROD. (ATT-TP-76416 7, 12.6)
3. **GROUND ROD:** UL LISTED COPPER CLAD STEEL GROUND ROD WITH MINIMUM DIAMETER OF 5/8" AND MINIMUM LENGTH OF 8 FEET. ALL GROUND RODS MAY BE INSTALLED WITH INSPECTION SLEEVES. GROUND RODS SHALL BE DRIVEN TO A MINIMUM DEPTH OF 30" BELOW GRADE OR 6 INCHES BELOW FROST LINE. (ATT-TP-76416 1.4 / 2.2, 3, 10)

**WELD CONNECTION DETAILS**

SCALE: NOT TO SCALE

2



GROUNDING SYMBOLS

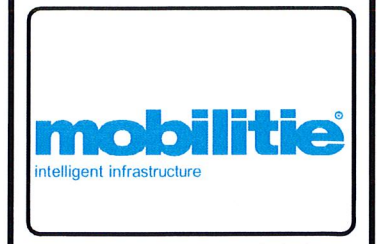
◀	CADWELD	— — —	GROUND WIRE
■	MECHANICAL CONNECTION	⊥	GROUND
TT	COPPER GROUND BAR (GB)		
⊙	5/8" x 8' COPPER CLAD STEEL GROUND ROD		

- NOTES:
1. GROUNDING RISER FOR DIAGRAMMATIC PURPOSES ONLY. SEE ELEVATION DRAWING FOR EQUIPMENT AND ANTENNA LOCATIONS.
  2. ALL RGS TO BE GROUNDED AT BOTH ENDS USING GROUNDING BUSHINGS
  3. GROUND WIRE BELOW 11' AGL TO BE RUN IN 1/2" SCHEDULE 40 PVC

**GROUNDING RISER DIAGRAM**

SCALE: NOT TO SCALE

3



**CES cable engineering services**  
PRESCOTT COMMUNICATIONS INC.  
10640 Sepulveda Blvd, Suite 1, Mission Hills, CA 91345  
Phone No.: (818)898-2352 Fax No.: (818)898-9186

PROJECT NO:	9CAB013914
DRAWN BY:	AH
CHECKED BY:	JM

0	06/02/17	90% CONSTRUCTION
1	09/25/17	REVISED PER PG&E STANDARDS

IT IS A VIOLATION OF THE LAW FOR ANY PERSON, UNLESS THEY ARE ACTING UNDER THE DIRECTION OF A LICENSED PROFESSIONAL ENGINEER, TO ALTER THIS DOCUMENT

9CAB013914  
OAKLAND, CA 94612  
(E) 26'-0" STEEL LIGHT POLE

SHEET TITLE  
**GROUNDING DETAILS**

SHEET NUMBER  
**G-1**

**GENERAL CONSTRUCTION NOTES:**

1. ALL WORK SHALL CONFORM TO THE REQUIREMENTS OF THE LOCAL BUILDING CODE, THE LATEST ADOPTED EDITION AND ALL OTHER APPLICABLE CODES AND ORDINANCES.
2. CONTRACTOR SHALL CONSTRUCT SITE IN ACCORDANCE WITH THESE DRAWINGS AND LATEST MOBILITIE CONSTRUCTION STANDARDS. THE SPECIFICATION IS THE RULING DOCUMENT AND ANY DISCREPANCIES BETWEEN THE SPECIFICATION AND THE CONSTRUCTION DRAWINGS SHALL BE BROUGHT TO THE ATTENTION OF THE ARCHITECT/ENGINEER OR MOBILITIE CM PRIOR TO THE COMMENCEMENT OF WORK.
3. CONTRACTOR SHALL VISIT THE JOB SITE AND SHALL FAMILIARIZE THEMSELVES WITH ALL CONDITIONS AFFECTING THE (N) WORK AND SHALL MAKE PROVISIONS AS TO THE COST THEREOF. CONTRACTOR SHALL BE RESPONSIBLE FOR FAMILIARIZING THEMSELVES WITH ALL CONTRACT DOCUMENTS, FIELD CONDITIONS AND DIMENSIONS AND CONFIRMING THAT THE WORK MAY BE ACCOMPLISHED, AS SHOWN, PRIOR TO PROCEEDING WITH CONSTRUCTION. ANY DISCREPANCIES SHALL BE BROUGHT TO THE ATTENTION OF THE ARCHITECT/ENGINEER OR MOBILITIE CM PRIOR TO THE COMMENCEMENT OF WORK. NO COMPENSATION WILL BE AWARDED BASED ON CLAIM OF LACK OF KNOWLEDGE OF FIELD CONDITIONS.
4. IT IS NOT THE INTENT OF THESE PLANS TO SHOW EVERY MINOR DETAIL OF CONSTRUCTION. CONTRACTOR IS REQUIRED TO FURNISH AND INSTALL ANY/ALL ITEMS FOR A COMPLETE AND FULLY FUNCTIONAL SYSTEM SUBJECT ONLY TO OWNER-SUPPLIED ITEMS. CONTRACTOR SHALL PROVIDE ANY/ALL REQUIREMENTS FOR THE EQUIPMENT TO BE PLACED IN PROPER WORKING ORDER.
5. PLANS ARE NOT TO BE SCALED. THESE PLANS ARE INTENDED TO BE A DIAGRAMMATIC OUTLINE ONLY UNLESS OTHERWISE NOTED. THE WORK SHALL INCLUDE FURNISHING MATERIALS, EQUIPMENT AND APPURTENANCES, AND LABOR NECESSARY TO EFFECT ALL INSTALLATIONS AS INDICATED ON THE DRAWINGS. OWNER PROVIDED MATERIALS WILL INCLUDE THOSE ITEMS LISTED IN THE EQUIPMENT DETAILS SECTION OF THESE DRAWING UNLESS OTHERWISE SPECIFIED OR PROVIDED TO THE CONTRACTOR IN WRITING PRIOR TO CONSTRUCTION START.
6. DIMENSIONS SHOWN ARE TO FINISH SURFACES UNLESS OTHERWISE NOTED. SPACING BETWEEN EQUIPMENT IS REQUIRED CLEARANCE. THEREFORE, IT IS CRITICAL TO FIELD VERIFY DIMENSIONS. SHOULD THERE BE ANY QUESTIONS REGARDING THE CONTRACT DOCUMENTS, (E) CONDITIONS AND/OR DESIGN INTENT, THE CONTRACTOR SHALL BE RESPONSIBLE FOR REPORTING ANY DISCREPANCIES TO THE ATTENTION OF THE MOBILITIE CM, IN WRITING, PRIOR TO THE COMMENCEMENT OF WORK.
7. DETAILS PROVIDED ARE FOR THE PURPOSE OF SHOWING DESIGN INTENT. MODIFICATIONS MAY BE REQUIRED TO SUIT JOB DIMENSIONS OR SITE CONDITIONS, AND SUCH MODIFICATIONS SHALL BE INCLUDED AS PART OF THE WORK.
8. CONTRACTOR SHALL PAY FOR APPLICABLE PERMITS, FEES, INSPECTIONS AND TESTING. CONTRACTOR IS TO OBTAIN PERMITS AND APPROVED SUBMITTALS PRIOR TO ORDERING MATERIALS AND THE COMMENCEMENT OF WORK.
9. THE TERM "PROVIDE" USED IN CONSTRUCTION DOCUMENTS AND SPECIFICATIONS, INDICATES THAT THE CONTRACTOR SHALL FURNISH AND INSTALL.
10. CONTRACTOR SHALL RECEIVE CLARIFICATION IN WRITING, AND SHALL RECEIVE IN WRITING AUTHORIZATION TO PROCEED BEFORE STARTING WORK ON ANY ITEMS NOT CLEARLY DEFINED OR IDENTIFIED BY THE CONTRACT DOCUMENTS.
11. CONTRACTOR SHALL SUPERVISE AND DIRECT THE WORK USING ACCEPTED INDUSTRY-STANDARD SKILLS AND ATTENTION. CONTRACTOR SHALL BE SOLELY RESPONSIBLE FOR CONSTRUCTION MEANS, METHODS, TECHNIQUES, SEQUENCES AND PROCEDURES AND FOR COORDINATING ALL PORTIONS OF THE WORK UNDER CONTRACT, UNLESS OTHERWISE NOTED.
12. CONTRACTOR SHALL BE RESPONSIBLE FOR THE SAFETY OF THE WORK AREA, ADJACENT AREAS AND BUILDING OCCUPANTS THAT ARE LIKELY TO BE AFFECTED BY THE WORK UNDER THIS CONTRACT. WORK SHALL CONFORM TO ALL OSHA REQUIREMENTS.
13. CONTRACTOR SHALL COORDINATE THEIR WORK WITH THE MOBILITIE CM AND SCHEDULE THEIR ACTIVITIES AND WORKING HOURS IN ACCORDANCE WITH THE REQUIREMENTS.

14. CONTRACTOR SHALL BE RESPONSIBLE FOR COORDINATING THEIR WORK WITH THE WORK OF OTHERS AS IT MAY RELATE TO RADIO EQUIPMENT, ANTENNAS AND ANY OTHER PORTIONS OF THE WORK.
15. CONTRACTOR SHALL INSTALL ALL EQUIPMENT AND MATERIALS IN ACCORDANCE WITH MANUFACTURERS RECOMMENDATIONS UNLESS SPECIFICALLY OTHERWISE INDICATED OR WHERE LOCAL CODES OR REGULATIONS TAKE PRECEDENCE.
16. CONTRACTOR SHALL MAKE NECESSARY PROVISIONS TO PROTECT (E) SURFACES, EQUIPMENT, IMPROVEMENTS, PIPING ETC. AND IMMEDIATE REPAIR, TO NEW CONDITION, ANY DAMAGE THAT OCCURS DURING CONSTRUCTION AT THE SOLE COST OF THE CONTRACTOR.
17. IN DRILLING HOLES, OR CORING, INTO CONCRETE WHETHER FOR FASTENING OR ANCHORING PURPOSES, OR PENETRATIONS THROUGH THE FLOOR FOR CONDUIT RUNS, PIPE RUNS, ETC., MUST BE CLEARLY UNDERSTOOD THAT REINFORCING STEEL SHALL NOT BE DRILLED INTO, CUT OR DAMAGED UNDER ANY CIRCUMSTANCES (UNLESS NOTED OTHERWISE). LOCATIONS OF REINFORCING STEEL ARE NOT DEFINITELY KNOWN AND THEREFORE MUST BE LOCATED BY THE CONTRACTOR USING APPROPRIATE METHODS AND EQUIPMENT PRIOR TO ANY DRILLING OR CORING OPERATIONS IN (E) CONCRETE.
18. CONTRACTOR SHALL REPAIR, TO NEW CONDITION, ALL (E) WALL SURFACES DAMAGED DURING CONSTRUCTION SUCH THAT THEY MATCH AND BLEND IN WITH ADJACENT SURFACES.
19. CONTRACTOR SHALL SEAL PENETRATIONS THROUGH FIRE RATED ASSEMBLIES OR MATERIALS WITH U.L. LISTED AND FIRE CODE APPROVED MATERIALS AND SYSTEMS THAT MEET OR EXCEED THE RATING OF THE ASSEMBLY IN WHICH THE NEW PENETRATION IS PLACED.
20. CONTRACTOR SHALL KEEP CONTRACT AREA CLEAN, HAZARD FREE, AND DISPOSE OF ALL DIRT, DEBRIS, AND RUBBISH. EQUIPMENT NOT SPECIFIED AS REMAINING ON THE PROPERTY OF THE OWNER SHALL BE REMOVED. LEAVE PREMISES IN CLEAN CONDITION AND FREE FROM PAINT SPOTS, DUST, OR SMUDGES OF ANY NATURE. CONTRACTOR SHALL BE RESPONSIBLE FOR MAINTAINING ALL ITEMS UNTIL COMPLETION OF CONSTRUCTION.
21. MINIMUM BEND RADIUS OF ANTENNA CABLES SHALL BE IN ACCORDANCE WITH CABLE MANUFACTURERS RECOMMENDATIONS.
22. CONTRACTOR SHALL MINIMIZE DISTURBANCE TO (E) SITE DURING CONSTRUCTION. EROSION CONTROL MEASURES, IF REQUIRED DURING CONSTRUCTION SHALL BE IN CONFORMANCE WITH JURISDICTIONAL OR STATE AND LOCAL GUIDELINES FOR EROSION AND SEDIMENT CONTROL AND COORDINATED WITH LOCAL REGULATORY AUTHORITIES. CONTRACTOR SHALL BE RESPONSIBLE FOR MAINTENANCE OF ANY EROSION CONTROL MEASURES, RECORD-KEEPING, MONITORING, AND REPORTING TO THE OWNER AND REGULATORY AUTHORITIES.
23. ALL CONSTRUCTION WORK IS TO ADHERE TO APPLICANT'S INTEGRATED CONSTRUCTION STANDARDS UNLESS STATE OR LOCAL CODE IS MORE STRINGENT.
24. THE INTENT OF THE PLANS AND SPECIFICATIONS IS TO PERFORM THE CONSTRUCTION IN ACCORDANCE PER STATE BUILDING STANDARDS CODE AND STATE CODE OF REGULATIONS. SHOULD ANY CONDITIONS DEVELOP NOT COVERED BY THE APPROVED PLANS AND SPECIFICATIONS WHEREIN THE FINISHED WORK WILL NOT COMPLY PER STATE CODE OF REGULATIONS, A SCOPE OF WORK DETAILING AND SPECIFYING THE REQUIRED WORK SHALL BE SUBMITTED TO AND APPROVED BY THE JURISDICTION BEFORE PROCEEDING WITH THE WORK. A CHANGE ORDER FOR THAT SCOPE SHALL BE SUBMITTED TO THE MOBILITIE CM PRIOR TO PROCEEDING WITH THE WORK.
25. ADEQUATE AND REQUIRED LIABILITY INSURANCE SHALL BE PROVIDED BY THE CONTRACTOR FOR PROTECTION AGAINST PUBLIC LOSS AND ANY/ALL PROPERTY DAMAGE FOR THE DURATION OF WORK.
26. CONTRACTOR SHALL GUARANTEE ANY/ALL MATERIALS AND WORK FREE FROM DEFECTS FOR A PERIOD OF NOT LESS THAN ONE YEAR FROM DATE OF ACCEPTANCE. ANY CORRECTIVE WORK SHALL BE COMPLETED AT THE SOLE COST OF THE CONTRACTOR.
27. CONTRACTOR TO TAP IN AT THE POC AND RUN A NEW, SEPARATE CIRCUIT THROUGH CITY CONDUIT TO GO TO THE POLE.

**ELECTRICAL NOTES:**

1. ELECTRICAL CONTRACTOR SHALL SUPPLY AND INSTALL ANY/ALL ELECTRICAL WORK INDICATED. ANY/ALL CONSTRUCTION SHALL BE IN ACCORDANCE W/DRAWINGS AND ANY/ALL APPLICABLE SPECIFICATIONS. IF ANY PROBLEMS ARE ENCOUNTERED BY COMPLYING WITH THESE REQUIREMENTS, CONTRACTOR SHALL NOTIFY MOBILITIE CM AS SOON AS POSSIBLE, AFTER THE DISCOVERY OF THE PROBLEMS, AND SHALL NOT PROCEED WITH THAT PORTION OF WORK, UNTIL THE MOBILITIE CM HAS DIRECTED THE CORRECTIVE ACTIONS TO BE TAKEN.
2. ELECTRICAL CONTRACTOR SHALL VISIT THE JOB SITE AND FAMILIARIZE THEMSELVES WITH ANY/ALL CONDITIONS AFFECTING ELECTRICAL AND COMMUNICATION INSTALLATION AND MAKE PROVISIONS AS TO THE COST THEREOF. ALL (E) CONDITIONS OF ELECTRICAL EQUIP., ETC., THAT ARE PART OF THE FINAL SYSTEM, SHALL BE VERIFIED BY THE CONTRACTOR, PRIOR TO THE SUBMITTING OF THEIR BID. FAILURE TO COMPLY WITH THIS PARAGRAPH WILL IN NO WAY RELIEVE CONTRACTOR OF PERFORMING ALL WORK NECESSARY FOR A COMPLETE AND WORKING SYSTEM.
3. ALL WORK SHALL BE PERFORMED IN ACCORDANCE WITH THE LATEST EDITION OF THE NEC, ALL CODES AND ORDINANCES OF THE LOCAL JURISDICTION, AND POWER & TELEPHONE COMPANIES HAVING JURISDICTION AND SHALL INCLUDE BUT ARE NOT BE LIMITED TO:
  - A) UL - UNDERWRITERS LABORATORIES
  - B) NEC - NATIONAL ELECTRICAL CODE
  - C) NEMA - NATIONAL ELECTRICAL MANUFACTURERS ASSOC.
  - D) OSHA - OCCUPATIONAL SAFETY AND HEALTH ACT
  - E) SBC - STANDARD BUILDING CODE
  - F) NFPA - NATIONAL FIRE PROTECTION AGENCY
  - G) ANSI - AMERICAN NATIONAL STANDARDS INSTITUTE
  - H) IEEE - INSTITUTE OF ELECTRICAL AND ELECTRONICS ENGINEERS
  - I) ASTM - AMERICAN SOCIETY FOR TESTING MATERIALS
4. REFER TO SITE PLANS AND ELEVATIONS FOR EXACT LOCATIONS OF ALL EQUIPMENT, AND CONFIRM WITH MOBILITIE CM ANY SIZES AND LOCATIONS WHEN NEEDED.
5. (E) SERVICES: CONTRACTOR SHALL NOT INTERRUPT (E) SERVICES WITHOUT WRITTEN PERMISSION OF THE OWNER.
6. CONTRACTOR SHALL CONFIRM WITH LOCAL UTILITY COMPANY ANY/ALL REQUIREMENTS SUCH AS THE: LUG SIZE RESTRICTIONS, CONDUIT ENTRY, SIZE OF TRANSFORMERS, SCHEDULED DOWNTIME FOR THE OWNERS' CONFIRMATION, ETC... ANY/ALL CONFLICTS SHALL BE BROUGHT TO THE ATTENTION OF THE MOBILITIE CM, PRIOR TO BEGINNING ANY WORK.
7. MINIMUM WIRE SIZE SHALL BE #12 AWG, NOT INCLUDING CONTROL WIRING, UNLESS NOTED OTHERWISE. ALL CONDUCTORS SHALL BE COPPER WITH THWN INSULATION, UNLESS OTHERWISE NOTED.
8. OUTLET BOXES SHALL BE PRESSED STEEL IN DRY LOCATIONS, CAST ALLOY WITH THREADED HUBS IN WET/DAMP LOCATIONS AND SPECIAL ENCLOSURES FOR OTHER CLASSIFIED AREAS.
9. IT IS NOT THE INTENT OF THESE PLANS TO SHOW EVERY MINOR DETAIL OF THE CONSTRUCTION. CONTRACTOR IS EXPECTED TO FURNISH AND INSTALL ALL ITEMS FOR A COMPLETE ELECTRICAL SYSTEM AND PROVIDE ALL REQUIREMENTS FOR THE EQUIPMENT TO BE PLACED IN PROPER WORKING ORDER.
10. ELECTRICAL SYSTEM SHALL BE AS COMPLETELY AND EFFECTIVELY GROUNDED, AS REQUIRED BY SPECIFICATIONS, SET FORTH BY APPLICANT.
11. ALL WORK SHALL BE PERFORMED BY A LICENSED ELECTRICAL CONTRACTOR IN A FIRST CLASS, WORKMANLIKE MANNER. THE COMPLETED SYSTEM SHALL BE FULLY FUNCTIONAL AND SHALL BE APPROVED BY THE MOBILITIE CM AND LOCAL JURISDICTION. ANY DEFICIENCIES SHALL BE CORRECTED BY AN ELECTRICAL CONTRACTOR AT THE SOLE COST OF THE CONTRACTOR.
12. ALL WORK SHALL BE COORDINATED WITH OTHER TRADES TO AVOID INTERFERENCE WITH THE PROGRESS OF CONSTRUCTION.



PRESCOTT COMMUNICATIONS INC.

10640 Sepulveda Blvd, Suite 1, Mission Hills, CA 91345  
Phone No.: (818)898-2352 Fax No.: (818)898-9186

PROJECT NO: 9CAB013914

DRAWN BY: AH

CHECKED BY: JM

0	06/02/17	90% CONSTRUCTION
1	09/25/17	REVISED PER PG&E STANDARDS

IT IS A VIOLATION OF THE LAW FOR ANY PERSON, UNLESS THEY ARE ACTING UNDER THE DIRECTION OF A LICENSED PROFESSIONAL ENGINEER, TO ALTER THIS DOCUMENT

9CAB013914  
OAKLAND, CA 94612  
(E) 26'-0" STEEL LIGHT POLE

SHEET TITLE  
GENERAL NOTES

SHEET NUMBER  
GN-1

ELECTRICAL NOTES CONT'D

13. THE CORRECTION OF ANY DEFECTS SHALL BE COMPLETED BY THE CONTRACTOR WITHOUT ANY ADDITIONAL CHARGE AND SHALL INCLUDE THE REPLACEMENT OR THE REPAIR OF ANY OTHER PHASE OF THE INSTALLATION, WHICH MAY HAVE BEEN DAMAGED THEREIN.
14. CONTRACTOR SHALL PROVIDE AND INSTALL CONDUIT, CONDUCTORS, PULL WIRES, BOXES, COVER PLATES AND DEVICES FOR ALL OUTLETS AS INDICATED.
15. DITCHING AND BACK FILL: CONTRACTOR SHALL PROVIDE FOR ALL UNDERGROUND INSTALLED CONDUIT AND/OR CABLES INCLUDING EXCAVATION AND BACKFILLING AND COMPACTION. REFER TO NOTES AND REQUIREMENTS 'EXCAVATION, AND BACKFILLING.
16. MATERIALS, PRODUCTS AND EQUIPMENT, INCLUDING ALL COMPONENTS THEREOF, SHALL BE NEW AND SHALL APPEAR ON THE LIST OF U.L. APPROVED ITEMS AND SHALL MEET OR EXCEED THE REQUIREMENTS OF THE NEC, NEMA AND IECE.
17. CONTRACTOR SHALL SUBMIT SHOP DRAWINGS OR MANUFACTURER'S CATALOG INFORMATION OF ANY/ALL EQUIPMENT AND ALL OTHER ELECTRICAL ITEMS FOR APPROVAL BY THE MOBILITIE CM PRIOR TO INSTALLATION.
18. ANY CUTTING OR PATCHING DEEMED NECESSARY FOR ELECTRICAL WORK IS THE ELECTRICAL CONTRACTOR'S RESPONSIBILITY AND SHALL BE INCLUDED IN THE COST FOR WORK AND PERFORMED TO THE SATISFACTION OF THE MOBILITIE CM UPON FINAL ACCEPTANCE.
19. THE ELECTRICAL CONTRACTOR SHALL LABEL ALL PANELS WITH ONLY TYPEWRITTEN DIRECTORIES. ALL ELECTRICAL WIRING SHALL BE THE RESPONSIBILITY OF THE ELECTRICAL CONTRACTOR.
20. DISCONNECT SWITCHES SHALL BE UL-RATED, H.P. RATED HEAVY-DUTY, QUICK-MAKE AND QUICK-BREAK ENCLOSURES, AS REQUIRED BY EXPOSURE TYPE.
21. ALL CONNECTIONS SHALL BE MADE WITH A PROTECTIVE COATING OF AN ANTI-OXIDE COMPOUND KNOWN AS "NO-OXIDE A" BY DEARBORNE CHEMICAL CO. COAT ALL WIRE SURFACES BEFORE CONNECTING. EXPOSED COPPER SURFACES, INCLUDING GROUND BARS, SHALL BE TREATED - NO SUBSTITUTIONS.
22. RACEWAYS: CONDUIT SHALL BE SCHEDULE 80 PVC MEETING OR EXCEEDING NEMA TC2 - 1990. CONTRACTOR SHALL PLUG AND CAP EACH END OF SPARE AND EMPTY CONDUITS AND PROVIDE TWO SEPARATE PULL STRINGS - 200 LBS TEST POLYETHYLENE CORD. ALL CONDUIT BENDS SHALL BE A MINIMUM OF 2 FT. RADIUS. RGS CONDUITS WHEN SPECIFIED, SHALL MEET UL-6 FOR GALVANIZED STEEL. ALL FITTINGS SHALL BE SUITABLE FOR USE WITH THREADED RIGID CONDUIT. COAT ALL THREADS WITH 'BRITE ZINC' OR 'COLD GALV'.
23. SUPPORT OF ALL ELECTRICAL WORK SHALL BE AS REQUIRED BY NEC.
24. CONDUCTORS: CONTRACTOR SHALL USE 98% CONDUCTIVITY COPPER WITH TYPE THWN INSULATION, UNLESS OTHERWISE NOTED, 600 VOLT, COLOR CODED. USE SOLID CONDUCTORS FOR WIRE UP TO AND INCLUDING NO. 8 AWG. USE STRANDED CONDUCTORS FOR WIRE ABOVE NO. 8 AWG.
25. CONNECTORS FOR POWER CONDUCTORS: CONTRACTOR SHALL USE PRESSURE TYPE INSULATED TWIST-ON CONNECTORS FOR NO. 10 AWG AND SMALLER. USE SOLDERLESS MECHANICAL TERMINAL LUGS FOR NO. 8 AWG AND LARGER.
26. SERVICE: AS SPECIFIED ON THE DRAWINGS. OWNER OR OWNER'S AGENT WILL APPLY FOR POWER. ALL PROVISIONS FOR TEMPORARY POWER WILL BE OBTAINED BY THE CONTRACTOR.
27. TELEPHONE OR FIBER SERVICE: CONTRACTOR SHALL PROVIDE EMPTY CONDUITS WITH PULL STRINGS AS INDICATED ON DRAWINGS.
28. ELECTRICAL AND TELCO/FIBER RACEWAYS TO BE BURIED A MINIMUM DEPTH OF 30", UNLESS OTHERWISE NOTED.
29. CONTRACTOR SHALL PLACE 6" WIDE DETECTABLE WARNING TAPE AT A DEPTH OF 6" BELOW GROUND AND DIRECTLY ABOVE ELECTRICAL AND TELCO SERVICE CONDUITS. CAUTIONS TAPE TO READ "CAUTION BURIED ELECTRIC" OR "BURIED TELECOMM".
30. ALL BOLTS SHALL BE 3-16 STAINLESS STEEL
31. THE ELECTRICAL CONTRACTOR SHALL LABEL ALL PANELS WITH ONLY TYPEWRITTEN

DIRECTORIES. ALL ELECTRICAL WIRING SHALL BE THE RESPONSIBILITY OF THE ELECTRICAL CONTRACTOR.

GROUNDING NOTES:

1. ALL HARDWARE SHALL BE 3-16 STAINLESS STEEL, INCLUDING LOCK WASHERS. COAT ALL SURFACES WITH AN ANTI-OXIDANT COMPOUND, AS SPECIFIED, BEFORE MATING. ALL HARDWARE SHALL BE STAINLESS STEEL 3/8 INCH DIAMETER OR LARGER.
2. FOR GROUND BOND TO STEEL ONLY: INSERT A CADMIUM FLAT WASHER BETWEEN LUG AND STEEL, COAT ALL SURFACES WITH AN ANTI-OXIDANT COMPOUND BEFORE MATING.
3. ALL STEEL CONDUIT SHALL BE BONDED AT BOTH ENDS WITH GROUNDING BUSHING.
4. ALL ELECTRICAL AND GROUNDING AT THE POLE SITE SHALL COMPLY WITH THE NATIONAL ELECTRICAL CODE (NEC), NATIONAL FIRE PROTECTION ASSOCIATION (NFPA) 780 (LATEST EDITION), AND MANUFACTURER.
5. ALL DETAILS ARE SHOWN IN GENERAL TERMS. ACTUAL GROUNDING INSTALLATION AND CONSTRUCTION MAY VARY DUE TO SITE SPECIFIC CONDITIONS.
6. GROUND ALL ANTENNA BASES, FRAMES, CABLE RUNS, AND OTHER METALLIC COMPONENTS USING #6 GROUND WIRES. FOLLOW ANTENNA AND BTS MANUFACTURER'S PRACTICES FOR GROUNDING REQUIREMENTS.
7. ALL GROUND CONNECTIONS SHALL BE #6 AWG, UNLESS OTHERWISE NOTED. ALL WIRES SHALL BE COPPER WITH THHN, UNLESS OTHERWISE NOTED. ALL GROUND WIRE SHALL BE SOLID TIN COATED OR STRANDED GREEN INSULATED WIRE.
8. CONTRACTOR TO VERIFY AND TEST GROUND TO SOURCE, 10 OHMS MAXIMUM. PROVIDE SUPPLEMENT GROUNDING RODS AS REQUIRED TO ACHIEVE SPECIFIED OHMS READING. GROUNDING AND OTHER OPTIONAL TESTING WILL BE WITNESSED BY THE MOBILITIE CM.
9. NOTIFY ARCHITECT/ENGINEER IF THERE ARE ANY DIFFICULTIES INSTALLING GROUNDING SYSTEM DUE TO SITE SOIL CONDITIONS.
10. ALL HORIZONTALLY RUN GROUNDING CONDUCTORS SHALL BE INSTALLED A MINIMUM OF 30" BELOW GRADE/ 6" BELOW FROST-LINE IN TRENCH, UNLESS OTHERWISE NOTED. BACK FILL SHALL BE COMPACTED AS REQUIRED BY ARCHITECT/ENGINEER.
11. ALL GROUND CONDUCTORS SHALL BE RUN AS STRAIGHT AND SHORT AS POSSIBLE. WITH A MINIMUM 12" BENDING RADIUS NOT LESS THAN 90 DEGREES.
12. ACCEPTABLE CONNECTIONS FOR GROUNDING SYSTEM SHALL BE:
  - A. BURNDY, HY-GRADE U.L. LISTED CONNECTORS FOR OUTDOOR USE OR AS APPROVED BY APPLICANT PROJECT MANAGER.
  - B. CADWELD, EXOTHERMIC WELDS (WELDED CONNECTIONS).
  - C. ONE (1) HOLE TINNED COPPER COMPRESSION (LONG BARREL) FITTINGS.
13. ALL CRIMPED CONNECTIONS SHALL HAVE EMBOSSED MANUFACTURER'S DIEMARK VISIBLE AT THE CRIMP (RESULTING FROM USE OF PROPER CRIMPING DEVICES) AND WEATHER-PROOFED WITH HEAT SHRINK.
14. ALL CONNECTION HARDWARE SHALL BE TYPE 3-16 STAINLESS STEEL (NOT ATTRACTED TO MAGNETS).
15. ELECTRICAL SERVICE EQUIPMENT GROUNDING SHALL COMPLY WITH NEC, ARTICLE 250-82 AND SHALL BOND ALL (E) AND NEW GROUNDING ELECTRODES. NEW GROUNDING ELECTRODE SHALL INCLUDE BUT NOT LIMITED TO GROUND RODS.

TESTING AND EQUIPMENT TURN UP REQUIREMENTS:

1. RF CABLE, DATA CABLE, RADIO EQUIPMENT AND BACK HAUL EQUIPMENT TESTING WILL COMPLY WITH CURRENT INDUSTRY STANDARDS AND OR THOSE STANDARDS OF THE EQUIPMENT MANUFACTURER OR PROVIDED TO THE CONTRACTOR PRIOR TO TESTING.
2. CONTRACTOR WILL USE THE APPROPRIATE CALIBRATED TESTING EQUIPMENT IN THE TESTING OF RF CABLE, DATA CABLE, RADIO EQUIPMENT AND BACK HAUL EQUIPMENT THAT MEET INDUSTRY STANDARDS OF THE MANUFACTURER OR THOSE STANDARDS PROVIDED TO THE CONTRACTOR PRIOR TO TESTING.
3. CONTRACTOR TO VERIFY AND RECORD ALL TEST RESULTS AND PROVIDE THESE RESULTS WITHIN THE FINAL CLOSE OUT PACKAGE.
4. ALL PERSONNEL INVOLVED IN THE TESTING OF RF CABLE, DATA CABLE, RADIO EQUIPMENT AND BACK HAUL EQUIPMENT WILL BE REQUIRED TO HAVE BEEN TRAINED AND OR CERTIFIED IN THE PROPER TESTING OF RF CABLE, DATA CABLE, RADIO EQUIPMENT AND BACK HAUL EQUIPMENT.
5. ALL TEST RESULTS SHALL BE TIME STAMPED, RECORDED AND PRESENTED PRIOR TO ENERGIZING AND TURN UP OF ANY EQUIPMENT.
6. GPS EQUIPMENT IS NOT TO BE TESTED OR ATTACHED TO ANY CABLING DURING TESTING, DOING SO WILL DAMAGE THE GPS UNIT.
7. PRIOR TO TESTING IF THE CONTRACTOR HAS ANY QUESTIONS ABOUT THE TESTING PROCEDURES THEY ARE TO CALL AND OBTAIN ASSISTANCE FROM A QUALIFIED DESIGNATED TESTING REPRESENTATIVE.
8. EQUIPMENT IS NOT TO BE ENERGIZED UNTIL ALL TESTING HAS BEEN COMPLETED, APPROVED AND THE APPROPRIATE AUTHORITY HAS BEEN NOTIFIED AND GIVES APPROVAL TO ENERGIZE THE EQUIPMENT.

SITE WORK NOTES:

1. DO NOT EXCAVATE OR DISTURB BEYOND THE PROPERTY LINES OR LEASE LINES, UNLESS OTHERWISE NOTED.
2. SIZE, LOCATION AND TYPE OF ANY UNDERGROUND UTILITIES OR IMPROVEMENTS SHALL BE ACCURATELY NOTED AND PLACED ON AS-BUILT DRAWINGS BY GENERAL CONTRACTOR AND ISSUED TO ARCHITECT/ENGINEER AT COMPLETION OF PROJECT.
3. ALL (E) UTILITIES, FACILITIES, CONDITIONS AND THEIR DIMENSIONS SHOWN ON PLANS HAVE BEEN PLOTTED FROM AVAILABLE RECORDS. THE ENGINEER AND OWNER ASSUME NO RESPONSIBILITY WHATSOEVER AS TO THE SUFFICIENCY OR ACCURACY OF THE INFORMATION SHOWN ON THE PLANS OR THE MANNER OF THEIR REMOVAL OR ADJUSTMENT. CONTRACTOR SHALL BE RESPONSIBLE FOR DETERMINING EXACT LOCATION OF ALL (E) UTILITIES AND FACILITIES PRIOR TO START OF CONSTRUCTION. CONTRACTOR SHALL ALSO OBTAIN FROM EACH UTILITY COMPANY DETAILED INFORMATION RELATIVE TO WORKING SCHEDULES AND METHODS OF REMOVING OR ADJUSTING (E) UTILITIES.
4. CONTRACTOR SHALL VERIFY ALL (E) UTILITIES BOTH HORIZONTALLY AND VERTICALLY PRIOR TO START OF CONSTRUCTION. ANY DISCREPANCIES OR DOUBTS AS TO THE INTERPRETATION OF PLANS SHALL BE IMMEDIATELY REPORTED TO THE ARCHITECT/ENGINEER OR MOBILITIE CM FOR RESOLUTION AND INSTRUCTION, AND NO FURTHER WORK SHALL BE PERFORMED UNTIL THE DISCREPANCY IS CHECKED AND CORRECTED BY THE ARCHITECT/ENGINEER. FAILURE TO SECURE SUCH INSTRUCTION MEANS CONTRACTOR WILL HAVE WORKED AT THEIR OWN RISK AND EXPENSE. CONTRACTOR SHALL CALL LOCAL UTILITY LOCATE HOT LINE, SUCH AS 811, FOR UTILITY LOCATIONS A MINIMUM OF 48 HOURS PRIOR TO START OF CONSTRUCTION.
5. ALL NEW AND (E) UTILITY STRUCTURES ON SITE AND IN AREAS TO BE DISTURBED BY CONSTRUCTION SHALL BE ADJUSTED TO FINISH ELEVATIONS PRIOR TO FINAL INSPECTION OF WORK. ANY COST RELATED TO ADJUSTING (E) STRUCTURES SHALL BE BORNE SOLELY BY THE CONTRACTOR.
6. GRADING OF THE SITE WORK AREA IS TO BE SMOOTH AND CONTINUOUS IN SLOPE AND IS TO FEATHER INTO (E) GRADES AT THE GRADING LIMITS.
7. ALL TEMPORARY EXCAVATIONS FOR THE INSTALLATION OF FOUNDATIONS, UTILITIES, ETC., SHALL BE PROPERLY LAID BACK OR BRACED IN ACCORDANCE WITH CORRECT OCCUPATIONAL SAFETY AND HEALTH ADMINISTRATION (OSHA) REQUIREMENTS.



PRESCOTT COMMUNICATIONS INC.

10640 Sepulveda Blvd, Suite 1, Mission Hills, CA 91345  
Phone No.: (818)898-2352 Fax No.: (818)898-9186

PROJECT NO: 9CAB013914

DRAWN BY: AH

CHECKED BY: JM

0	06/02/17	90% CONSTRUCTION
1	09/25/17	REVISED PER PG&E STANDARDS

IT IS A VIOLATION OF THE LAW FOR ANY PERSON, UNLESS THEY ARE ACTING UNDER THE DIRECTION OF A LICENSED PROFESSIONAL ENGINEER, TO ALTER THIS DOCUMENT

9CAB013914  
OAKLAND, CA 94612  
(E) 26'-0" STEEL LIGHT POLE

SHEET TITLE  
GENERAL NOTES

SHEET NUMBER  
GN-2

SITE WORK NOTES CONT'D

8. STRUCTURAL FILLS SUPPORTING PAVEMENTS SHALL BE COMPACTED TO 95% OF MAXIMUM STANDARD PROCTOR DRY DENSITY, UNLESS OTHERWISE NOTED.
9. NEW GRADES NOT IN BUILDING AND DRIVEWAY IMPROVEMENT AREA TO BE ACHIEVED BY FILLING WITH APPROVED CLEAN FILL AND COMPACTED TO 95% OF STANDARD PROCTOR DENSITY.
10. ALL FILL SHALL BE PLACED IN UNIFORM LIFTS. THE LIFTS THICKNESS SHOULD NOT EXCEED THAT WHICH CAN BE PROPERLY COMPACTED THROUGHOUT ITS ENTIRE DEPTH WITH THE EQUIPMENT AVAILABLE.
11. ANY FILLS PLACED ON (E) SLOPES THAT ARE STEEPER THAN 10 HORIZONTAL TO 1 VERTICAL SHALL BE PROPERLY BENCHED INTO THE (E) SLOPE AS DIRECTED BY A GEOTECHNICAL ENGINEER.
12. CONTRACTOR SHALL CLEAN ENTIRE SITE AFTER CONSTRUCTION SUCH THAT NO DEBRIS, PAPER, TRASH, WEEDS, BRUSH, EXCESS FILL, OR ANY OTHER DEPOSITS WILL REMAIN. ALL MATERIALS COLLECTED DURING CLEANING OPERATIONS SHALL BE DISPOSED OF OFF-SITE BY THE GENERAL CONTRACTOR.
13. ALL TREES AND SHRUBS WHICH ARE NOT IN DIRECT CONFLICT WITH THE IMPROVEMENTS SHALL BE PROTECTED BY THE GENERAL CONTRACTOR.
14. ALL SITE WORK SHALL BE CAREFULLY COORDINATED BY GENERAL CONTRACTOR WITH LOCAL UTILITY COMPANY, TELEPHONE COMPANY, AND ANY OTHER UTILITY COMPANIES HAVING JURISDICTION OVER THIS LOCATION.

ENVIRONMENTAL NOTES:

1. ALL WORK PERFORMED SHALL BE DONE IN ACCORDANCE WITH ISSUED PERMITS. THE CONTRACTOR SHALL BE RESPONSIBLE FOR PAYMENT OF FINES AND PROPER CLEAN UP FOR AREAS IN VIOLATION.
2. CONTRACTOR SHALL BE RESPONSIBLE FOR CONSTRUCTION AND MAINTENANCE OF EROSION AND SEDIMENTATION CONTROLS DURING CONSTRUCTION FOR PROTECTION OF ADJACENT PROPERTIES, ROADWAYS AND WATERWAYS. ALL EROSION AND SEDIMENTATION CONTROLS SHALL BE MAINTAINED IN PLACE THROUGH FINAL JURISDICTIONAL INSPECTION & RELEASE OF SITE.
3. CONTRACTOR SHALL INSTALL/CONSTRUCT ALL NECESSARY SEDIMENT/SILT CONTROL FENCING AND PROTECTIVE MEASURES AS REQUIRED BY THE LOCAL JURISDICTION WITHIN THE LIMITS OF SITE DISTURBANCE PRIOR TO CONSTRUCTION.
4. NO SEDIMENT SHALL BE ALLOWED TO EXIT THE PROPERTY. THE CONTRACTOR IS RESPONSIBLE FOR TAKING ADEQUATE MEASURES FOR CONTROLLING EROSION. ADDITIONAL SEDIMENT CONTROL FENCING MAY BE REQUIRED IN ANY AREAS SUBJECT TO EROSION.
5. THE CONTRACTOR IS RESPONSIBLE FOR MAINTAINING POSITIVE DRAINAGE ON THE SITE AT ALL TIMES WITH SILT AND EROSION CONTROL MEASURES MAINTAINED ON THE DOWNSTREAM SIDE OF SITE DRAINAGE. ANY DAMAGE TO ADJACENT PROPERTY AS A RESULT OF EROSION WILL BE CORRECTED AT THE CONTRACTORS EXPENSE.
6. CONTRACTOR SHALL BE RESPONSIBLE FOR DAILY INSPECTIONS AND ANY REPAIRS OF ALL SEDIMENT CONTROL MEASURES INCLUDING SEDIMENT REMOVAL AS NECESSARY.
7. CLEARING OF VEGETATION AND TREE REMOVAL SHALL BE ONLY AS PERMITTED AND BE HELD TO A MINIMUM. ONLY TREES NECESSARY FOR CONSTRUCTION OF THE FACILITIES SHALL BE REMOVED.
8. SEEDING AND MULCHING AND/OR SODDING OF THE SITE WILL BE ACCOMPLISHED AS SOON AS POSSIBLE AFTER COMPLETION OF THE PROJECT FACILITIES AFFECTING LAND DISTURBANCE.
9. CONTRACTOR SHALL PROVIDE ALL EROSION AND SEDIMENTATION CONTROL MEASURES AS REQUIRED BY LOCAL, COUNTY AND STATE CODES AND ORDINANCES TO PROTECT EMBANKMENTS FROM SOIL LOSS AND TO PREVENT ACCUMULATION OF SOIL AND SILT IN STREAMS AND DRAINAGE PATHS LEAVING THE CONSTRUCTION AREA. THIS MAY INCLUDE, BUT IS NOT LIMITED TO SUCH MEASURES AS SILT FENCES, STRAW BALE SEDIMENT BARRIERS, AND CHECK DAMS.
10. RIP RAP OF SIZES INDICATED SHALL CONSIST OF CLEAN, HARD, SOUND, DURABLE, UNIFORM IN QUALITY STONE FREE OF ANY DETRIMENTAL QUANTITY OF SOFT, FRIABLE, THIN, ELONGATED OR LAMINATED PIECES, DISINTEGRATED MATERIAL, ORGANIC MATTER, OIL, ALKALI, OR OTHER DELETERIOUS SUBSTANCES.

11. GC TO PLACE FILTER MATERIAL AT ALL CATCH BASINS ADJACENT TO CONSTRUCTION SITE TO PREVENT SOLID WASTE CONTAMINATION FROM ENTERING SEWER SYSTEM

FOUNDATION, EXCAVATION AND BACKFILL NOTES:

1. ALL FINAL GRADED SLOPES SHALL BE A MAXIMUM OF 3 HORIZONTAL TO 1 VERTICAL, UNLESS OTHERWISE NOTED.
2. BACKFILL OF POLE SHALL BE PERFORMED IN ONE OF THREE OPTIONS:
  - A. PREFERRED: RAINBOW INDUSTRIES POLE SETTING FOAM SHALL BE INSTALLED PER MANUFACTURER SPECS. FOAM SHALL ALWAYS BE USED FOR POOR SOILS.
  - B. SECONDARY: CONCRETE (REQUIRES MOBILITIE CM WRITTEN APPROVAL) ALLOWABLE SOIL PRESSURE = 2000 PSF (ASSUMED). NON-NATIVE SOILS SHALL BE REMOVE FROM BORE AREA AND SHALL NOT BE REUSED FOR BACKFILL
3. ALL EXCAVATIONS PREPARED FOR PLACEMENT OF CONCRETE SHALL BE OF UNDISTURBED SOILS, SUBSTANTIALLY HORIZONTAL AND FREE FROM ANY LOOSE, UNSUITABLE MATERIAL OR FROZEN SOILS, AND WITHOUT THE PRESENCE OF POUNDING WATER. DEWATERING FOR EXCESS GROUND WATER SHALL BE PROVIDED WHEN REQUIRED. COMPACTION OF SOILS UNDER CONCRETE PAD FOUNDATIONS SHALL NOT BE LESS THAN 95% OF THE MODIFIED PROCTOR MAXIMUM DRY DENSITY FOR THE SOIL IN ACCORDANCE WITH ASTM D1557.
4. CONCRETE FOUNDATIONS SHALL NOT BE PLACED ON ORGANIC OR UNSUITABLE MATERIAL. IF ADEQUATE BEARING CAPACITY IS NOT ACHIEVED AT THE DESIGNED EXCAVATION DEPTH, THE UNSATISFACTORY SOIL SHALL BE EXCAVATED TO ITS FULL DEPTH AND EITHER BE REPLACED WITH MECHANICALLY COMPACTED GRANULAR MATERIAL OR THE EXCAVATION SHALL BE FILLED WITH CONCRETE OF THE SAME TYPE SPECIFIED FOR THE FOUNDATION. CRUSHED STONE MAY BE USED TO STABILIZE THE BOTTOM OF THE EXCAVATION. ANY STONE SUB BASE MATERIAL, IF USED, SHALL NOT SUBSTITUTE FOR REQUIRED THICKNESS OF CONCRETE.
5. ALL EXCAVATIONS SHALL BE CLEAN OF UNSUITABLE MATERIAL SUCH AS VEGETATION, TRASH, DEBRIS, AND SO FORTH PRIOR TO BACK FILLING. BACK FILL SHALL CONSIST OF APPROVED MATERIALS SUCH AS EARTH, LOAM, SANDY CLAY, SAND AND GRAVEL, OR SOFT SHALE, FREE FROM CLODS OR LARGE STONES OVER 2 1/2" MAX DIMENSIONS. ALL BACK FILL SHALL BE PLACED IN COMPACTED LAYERS.
6. ALL FILL MATERIALS AND FOUNDATION BACK FILL SHALL BE PLACED IN MAXIMUM 6" THICK LIFTS BEFORE COMPACTION. EACH LIFT SHALL BE WETTED IF REQUIRED AND COMPACTED TO NOT LESS THAN 95% OF THE MODIFIED PROCTOR MAXIMUM DRY DENSITY FOR SOIL IN ACCORDANCE WITH ASTM D1557.
7. NEWLY PLACED CONCRETE FOUNDATIONS SHALL CURE A MINIMUM OF 72 HRS PRIOR TO BACK FILLING.
8. FINISHED GRADING SHALL BE SLOPED TO PROVIDE POSITIVE DRAINAGE AND PREVENT STANDING WATER. THE FINAL (FINISH) ELEVATION OF SLAB FOUNDATIONS SHALL SLOPE AWAY IN ALL DIRECTIONS FROM THE CENTER. FINISH GRADE OF CONCRETE PADS SHALL BE A MAXIMUM OF 4 INCHES ABOVE FINAL FINISH GRADE ELEVATIONS. PROVIDE SURFACE FILL GRAVEL TO ESTABLISH SPECIFIED ELEVATIONS WHERE REQUIRED.
9. NEWLY GRADED GRAVEL SURFACE AREAS TO RECEIVE GRAVEL SHALL BE COVERED WITH GEOTEXTILE FABRIC TYPE: TYPAR-3401 AS MANUFACTURED BY TYPAR GEOSYNTHETICS OR AN APPROVED EQUIVALENT, SHOWN ON PLANS. THE GEOTEXTILE FABRIC SHALL BE BLACK IN COLOR TO CONTROL THE RECURRENCE OF VEGETATIVE GROWTH AND EXTEND TO WITHIN 1 FOOT OUTSIDE THE SITE FENCING OR ELECTRICAL GROUNDING SYSTEM PERIMETER WHICH EVER IS GREATER. ALL FABRIC SHALL BE COVERED WITH A MINIMUM OF 4" DEEP COMPACTED STONE OR GRAVEL AS SPECIFIED. I.E. FDOT TYPE NO. 57 FOR FENCED COMPOUND; FDOT TYPE NO. 67 FOR ACCESS DRIVE AREA, UNLESS OTHERWISE NOTED.
10. IN ALL AREAS TO RECEIVE FILL: REMOVE ALL VEGETATION, TOPSOIL, DEBRIS, WET AND UNSATISFACTORY SOIL MATERIALS, OBSTRUCTIONS, AND DELETERIOUS MATERIALS FROM GROUND SURFACE. PLOW STRIP OR BREAK UP SLOPED SURFACES STEEPER THAN 1 VERTICAL TO 4 HORIZONTAL SUCH THAT FILL MATERIAL WILL BIND WITH (E)/PREPARED SOIL SURFACE.
11. WHEN SUB GRADE OR PREPARED GROUND SURFACE HAS A DENSITY LESS THAN THAT REQUIRED FOR THE FILL MATERIAL, SCARIFY THE GROUND SURFACE TO DEPTH REQUIRED. PULVERIZE, MOISTURE-CONDITION AND/OR AERATE THE SOILS AND RECOMPACT TO THE REQUIRED DENSITY PRIOR TO PLACEMENT OF FILLS.
12. IN AREAS WHICH (E) GRAVEL SURFACING IS REMOVED OR DISTURBED DURING CONSTRUCTION OPERATIONS, REPLACE GRAVEL SURFACING TO MATCH ADJACENT

GRAVEL SURFACING AND RESTORED TO THE SAME THICKNESS AND COMPACTION AS SPECIFIED. ALL RESTORED GRAVEL SURFACING SHALL BE FREE FROM CORRUGATIONS AND WAVES.

13. (E) GRAVEL SURFACING MAY NOT BE REUSED.
14. GRAVEL SUB SURFACE SHALL BE PREPARED TO REQUIRED COMPACTION AND SUB GRADE ELEVATIONS BEFORE GRAVEL SURFACING IS PLACED AND/OR RESTORED. ANY LOOSE OR DISTURBED MATERIALS SHALL BE THOROUGHLY COMPACTED AND ANY DEPRESSIONS IN THE SUB GRADE SHALL BE FILLED AND COMPACTED WITH APPROVED SELECTED MATERIAL. GRAVEL SURFACING MATERIAL SHALL NOT BE USED FOR FILLING DEPRESSIONS IN THE SUB GRADE.
15. PROTECT (E) GRAVEL SURFACING AND SUB GRADE IN AREAS WHERE EQUIPMENT LOADS WILL OPERATE. USE PLANKING 'MATTS' OR OTHER SUITABLE PROTECTION DESIGNED TO SPREAD EQUIPMENT LOADS AS MAY BE NECESSARY. REPAIR ANY DAMAGE TO (E) GRAVEL SURFACING OR SUB GRADE WHERE SUCH DAMAGE IS DUE TO THE CONTRACTORS OPERATIONS.
16. DAMAGE TO (E) STRUCTURES AND/OR UTILITIES RESULTING FROM CONTRACTORS NEGLIGENCE SHALL BE REPAIRED AND/ OR REPLACED TO THE OWNERS SATISFACTION AT NO ADDITIONAL COST TO THE CONTRACT.
17. ALL SUITABLE BORROW MATERIAL FOR BACK FILL OF THE SITE SHALL BE INCLUDED IN THE BID. EXCESS TOPSOIL AND UNSUITABLE MATERIAL SHALL BE DISPOSED OF OFF SITE AT LOCATIONS APPROVED BY GOVERNING AGENCIES AT NO ADDITIONAL COST TO THE CONTRACT.

MISCELLANEOUS MATERIALS

FROM TIME TO TIME IT MAY BE NECESSARY TO MAKE MINOR ADJUSTMENTS TO ACCOMMODATE, LEVEL OR SPACE ANTENNA MOUNTS AND EQUIPMENT. EXAMPLE ADDING A WASHER OR SHIM TO LEVEL OUT A BRACKET OR MOUNT TO MEET SPECIFICATIONS. HAVING TO OFFSET OR SPACE A BRACKET OR MOUNT DUE TO FLANGES AND OR OTHER SMALL PROTRUSIONS ON A POLE TOP ASSEMBLY. ANY MATERIALS, NUTS, BOLTS, SHIMS OR SPACERS USED TO ACCOMMODATE ADJUSTMENTS TO ANTENNA MOUNTS AND EQUIPMENT MUST BE PERMANENTLY AFFIXED, BOLTED TO THE MOUNT, BRACKET OR POLE; AS NEVER TO BECOME A FALL HAZARD. ALL MATERIALS NUTS, BOLTS, SHIMS OR SPACERS USED IN MINOR ADJUSTMENTS, MUST BE EITHER STAINLESS STEEL OR GALVANIZED; HALF WASHERS ARE PROHIBITED. ANY MINOR ADJUSTMENTS TO ACCOMMODATE ANTENNA MOUNTS AND EQUIPMENT SHOULD BE DONE IN A PROFESSIONAL MANOR WITH SAFETY AND AESTHETICS IN MIND. SHOULD YOU HAVE ANY QUESTIONS CONTACT YOUR ASSIGNED CONSTRUCTION PROJECT MANAGER OR ENGINEER FOR GUIDANCE.

**mobilitie**  
intelligent infrastructure

**CeS** cable engineering services

PRESCOTT COMMUNICATIONS INC.

10640 Sepulveda Blvd. Suite 1, Mission Hills, CA 91345  
Phone No.: (818)998-2352 Fax No.: (818)998-9186

PROJECT NO: 9CAB013914

DRAWN BY: AH

CHECKED BY: JM

0	06/02/17	90% CONSTRUCTION
1	09/25/17	REVISED PER PG&E STANDARDS

IT IS A VIOLATION OF THE LAW FOR ANY PERSON, UNLESS THEY ARE ACTING UNDER THE DIRECTION OF A LICENSED PROFESSIONAL ENGINEER, TO ALTER THIS DOCUMENT

9CAB013914  
OAKLAND, CA 94612  
(E) 26'-0" STEEL LIGHT POLE

SHEET TITLE  
GENERAL NOTES

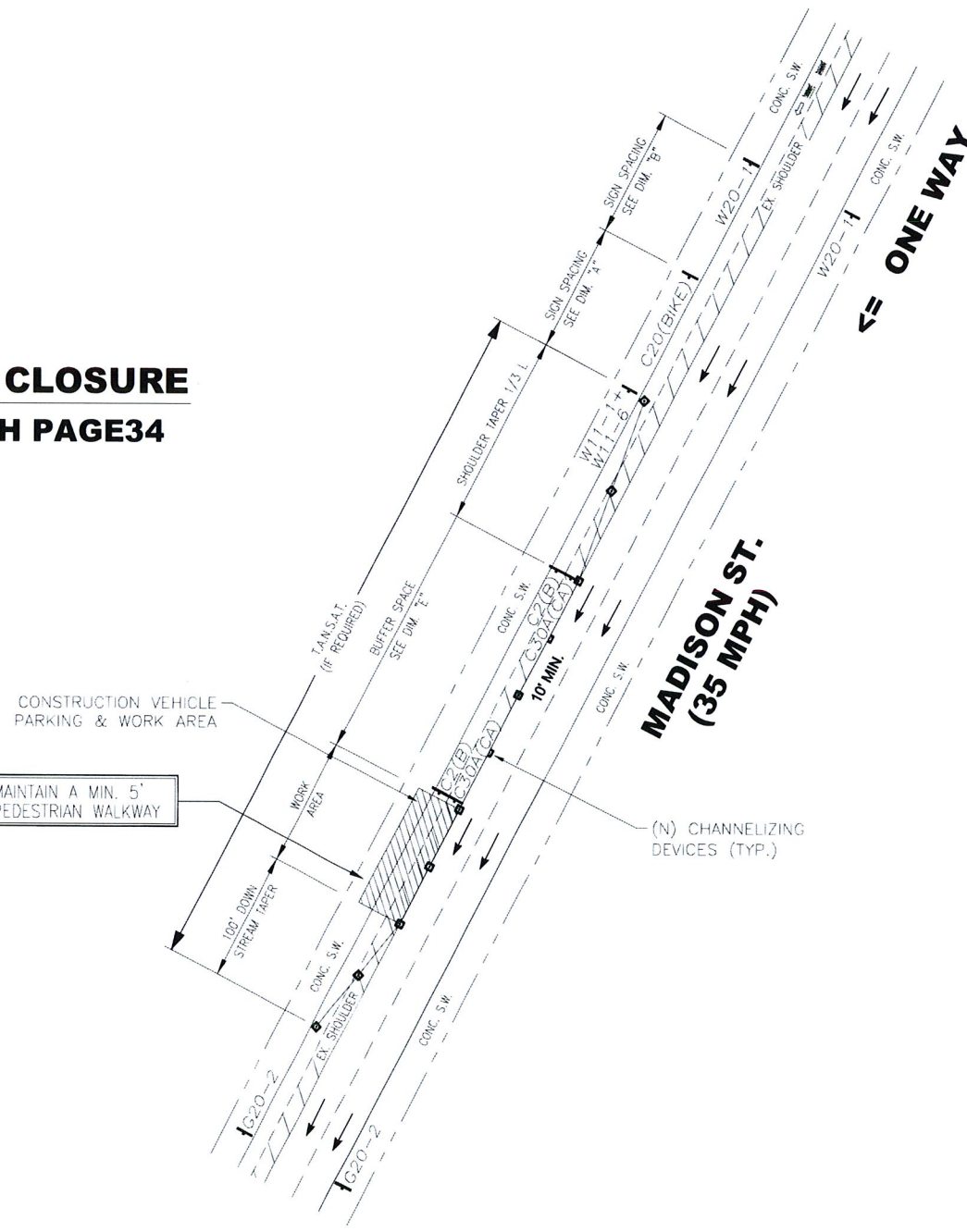
SHEET NUMBER  
GN-3



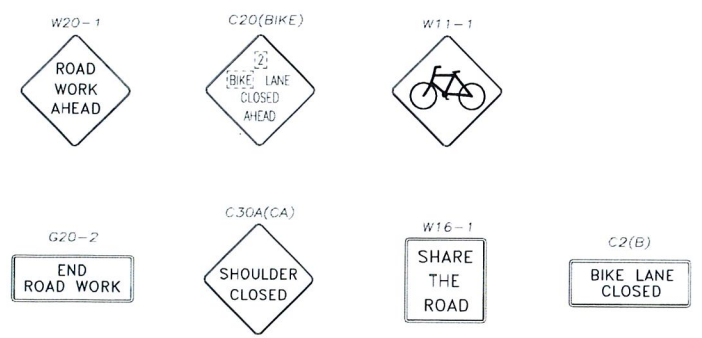
**DURATION NOTES**

1. "ROAD WORK AHEAD" and the "BE PREPARED TO STOP" signs may be omitted if all of the following conditions are met:
  - a. Work operations are 60 minutes or less
  - b. Speed limit is 45 MPH or less
  - c. No sight obstructions to vehicles approaching the work area for a distance equal to the buffer space
  - d. Vehicles in the work area have high-intensity, rotating, flashing, oscillating, or strobe lights operating
  - e. Volume and complexity of the roadway has been considered

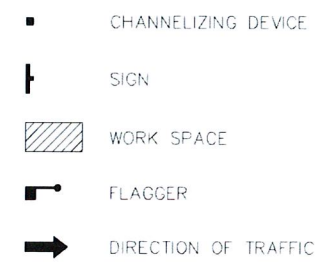
**BIKE LANE CLOSURE  
2016 WATCH PAGE34**



**SIGNS**



\* ADDITIONAL SIGNS MAY BE REQUIRED TO ACCOMMODATE ACTUAL FIELD CONDITIONS.



**TRAFFIC CONTROL PLANS**

**GENERAL NOTES**

1. ALL WORK AND MATERIALS SHALL COMPLY WITH THE WORK AREA TRAFFIC CONTROL HANDBOOK (WATCH) 2016 EDITION.
2. ALL STRIPING AND MARKINGS SHALL CONFORM TO THE STATE OF CALIFORNIA, STANDARD PLANS AND SPECIFICATIONS, INCLUDING STANDARD PLAN A-20, DETAILS.
3. THE CONTRACTOR SHALL PROVIDE FOR ACCESS TO ALL ADJACENT PROPERTIES.
4. FLASHING YELLOW BEACONS, TYPE "B", SHALL BE USED ON ALL W20-1 SIGNS AND ON ALL TYPE III BARRICADES GUARDING THE WORK AREA OVERNIGHT.
5. ALL SIGNS SHALL BE REFLECTORIZED AND STANDARD SIZE.
6. ALL TUBULAR DELINEATORS AND CONES SHALL BE 28" MINIMUM HEIGHT, REFLECTORIZED AND MAINTAINED ERECT IN THE INDICATED POSITION AT ALL TIMES, AND SHALL BE REPAIRED, REPLACED, OR CLEANED AS NECESSARY TO PRESERVE THEIR APPEARANCE AND CONTINUITY, AND SHALL INCLUDE A 12" HIGH-INTENSITY REFLECTORIZED SLEEVE, IF USED DURING NIGHT-TIME HOURS.
7. THE CONTRACTOR SHALL MAINTAIN, ON A CONTINUOUS BASIS, ALL SIGNS, DELINEATORS, BARRICADES, ETC., TO ENSURE PROPER FLOW AND SAFETY OF TRAFFIC DURING CONSTRUCTION.
8. THE CONTRACTOR SHALL HAVE ALL SIGNS, DELINEATORS, BARRICADES, ETC., PROPERLY INSTALLED PRIOR TO COMMENCING CONSTRUCTION.
9. CONSTRUCTION OPERATIONS SHALL BE CONDUCTED IN SUCH A MANNER AS TO CAUSE AS LITTLE INCONVENIENCE AS POSSIBLE TO ADJUTING PROPERTY OWNERS.
10. ADDITIONAL TRAFFIC CONTROLS, TRAFFIC SIGNS, OR BARRICADING MAY BE REQUIRED IN THE FIELD. THE CONTRACTOR SHALL BE RESPONSIBLE FOR THE PLACEMENT OF ANY ADDITIONAL DEVICES NECESSARY TO ASSURE SAFETY TO THE PUBLIC AT ALL TIMES DURING CONSTRUCTION.
11. EXACT LOCATION AND TYPE OF CONSTRUCTION SIGNS SHALL BE DIRECTED BY THE ENGINEER BASED UPON CONSTRUCTION CONDITIONS.
12. MOVE DELINEATORS AND/OR CONES TO SIDEWALK DURING NON-WORKING HOURS. REMOVE BARRICADES ETC. FROM TRAVEL LANE.
13. REMOVE OR TURN OFF SIGNS DURING NON-WORK HOURS.
14. ALL CONFLICTING LINES, EXISTING CURB PAINT, AND MARKINGS SHALL BE REMOVED BY WET SANDBLASTING OR OTHER APPROVED METHOD PRIOR TO INSTALLATION OF NEW/TEMPORARY STRIPING. ALL CONFLICTING RAISED PAVEMENT MARKERS SHALL BE REMOVED. PAVEMENT THAT IS DAMAGED DUE TO REMOVAL OF MARKERS SHALL BE REPAIRED TO THE SATISFACTION OF THE CITY ENGINEER AND/OR STATE INSPECTOR.

**NOTES**

1. INGRESS AND EGRESS MUST BE PROVIDED TO ALL DRIVEWAYS AT ANY TIME, USE BULL NOSE TO TERMINATE TAPER AT DRIVEWAYS.
2. STEEL PLATES TO BE USED TO MAINTAIN TRAFFIC FLOW ON ALL DRIVEWAYS.

SPEED MPH (2)	TEMPORARY TRAFFIC CONTROL PLAN DIMENSION GUIDELINES								
	Dimension A/B/C ADVANCE WARNING SIGN SPACING (5)	Dimension D MERGING TAPER LENGTH	Dimension L2 SHIFTING TAPER LENGTH	Dimension L3 MINIMUM SHOULDER TAPER	Dimension B BUFFER SPACE (4-A) and FLAGGER STATION STOPPING SIGHT DISTANCE (4-B)	MAXIMUM CHANNELIZER TAPER SPACING (3)	MAXIMUM CHANNELIZER TANGENT SPACING (3)	MAXIMUM CHANNELIZER CONFLICT SPACING (6)	
	ft	ft	ft	ft	ft (0%) (-3%) (4%)	ft	ft	ft	
25	100	125	65	45	(155) (180) (165)	25	50	12	
30	250	180	90	60	(200) (205) (215)	30	60	15	
35	250	245	125	85	(250) (260) (275)	35	70	17	
40	250	320	160	110	(305) (315) (335)	40	80	20	
45	350	540	270	180	(360) (380) (400)	45	90	22	
50	350	600	300	200	(425) (450) (475)	50	100	25	
55	500	660	330	220	(495) (520) (555)	50	100	25	
60	500	720	360	240	(570) (600) (640)	50	100	25	
65	500	780	390	260	(645) (685) (730)	50	100	25	

**TRAFFIC CONTROL PLAN**  
SCALE: NOT TO SCALE



PRESCOTT COMMUNICATIONS INC.  
10640 Sepulveda Blvd, Suite 1, Mission Hills, CA 91345  
Phone No.: (818)998-2352 Fax No.: (818)998-9186

PROJECT NO: 9CAB013914  
DRAWN BY: AH  
CHECKED BY: JM

0	06/02/17	90% CONSTRUCTION
1	09/25/17	REVISED PER PG&E STANDARDS

IT IS A VIOLATION OF THE LAW FOR ANY PERSON, UNLESS THEY ARE ACTING UNDER THE DIRECTION OF A LICENSED PROFESSIONAL ENGINEER, TO ALTER THIS DOCUMENT.

9CAB013914  
OAKLAND, CA 94612  
(E) 26'-0" STEEL LIGHT POLE

SHEET TITLE  
TRAFFIC CONTROL PLAN

SHEET NUMBER  
TC-1

# Attachment D

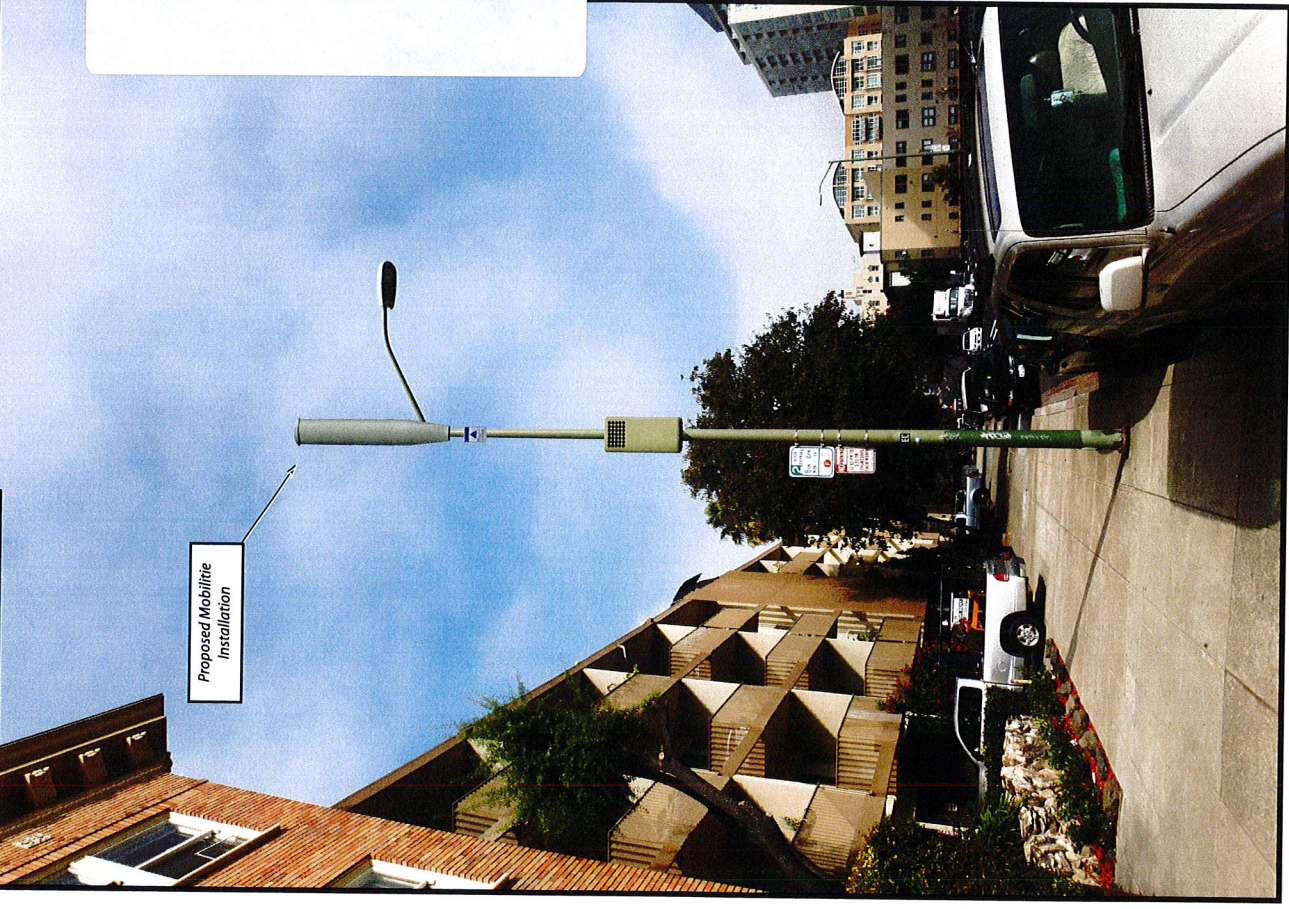
Proposed

view from Madison Street looking north at site

9CAB013914 / SF90XS2X5A  
Madison Street & 5th Street, Oakland, CA  
Photosims Produced on 6-12-2017



Proposed Mobilitie Installation



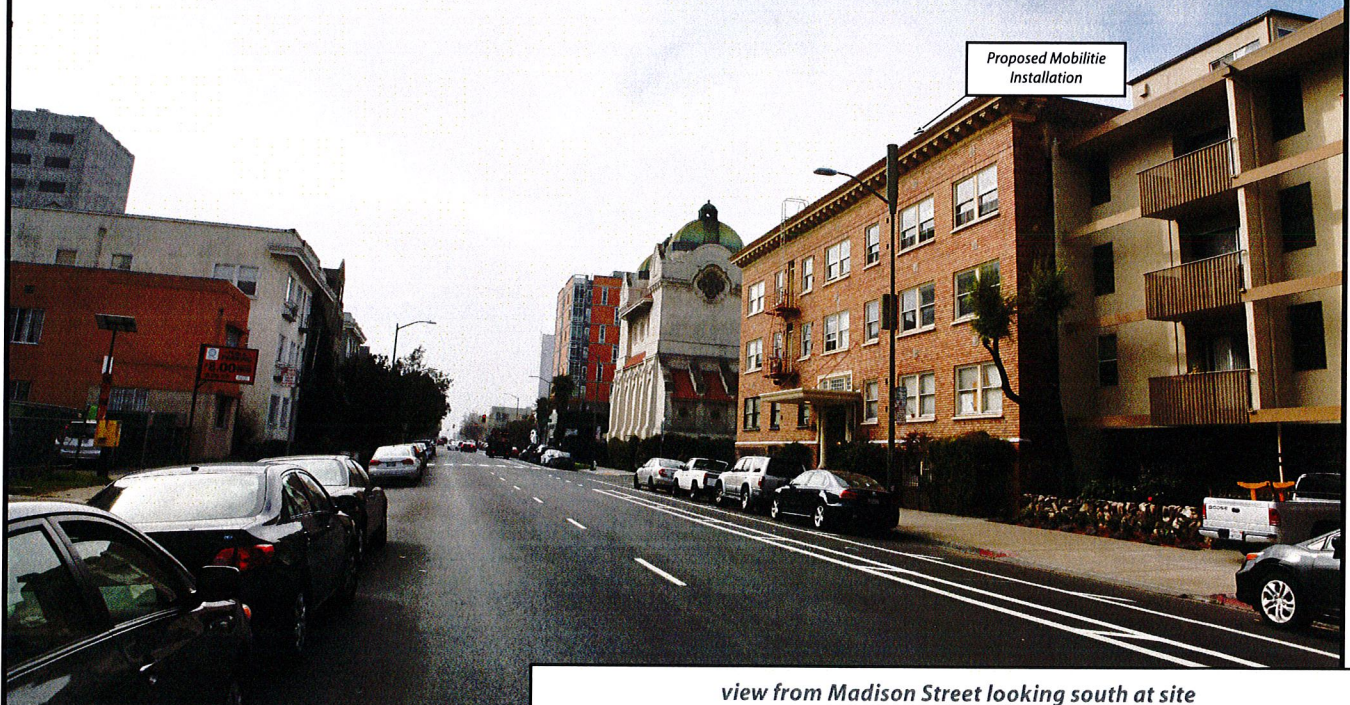
Existing



Existing



Proposed



view from Madison Street looking south at site

# Alternative Site Analysis

## Proposed Small Cell Wireless Facility

**Applicant:** Mobilitie, LLC

**Site ID:** 9CAB013914/SF90XS2X5A

**Nearest Site Address:** Public Right of Way near 1551 Madison St., Oakland, CA 94612

**Latitude/Longitude:** 37.802779, -122.263396

Mobilitie considered alternative sites on other street lights and utility poles in this area, but found them to not to be as desirable when taking into consideration coverage goals, constructability, geographic topography of the surrounding area, and potential visual impact in the surrounding area. The proposed location is desirable because of the limited obstructions in the area, allowing our antenna to effectively propagate a signal. Furthermore, the proposed location is the optimal solution for providing maximum coverage to the surrounding area identified. Additionally, by locating on an existing street light with equipment concealed, visual impact in the surrounding area is minimized.

Mobilitie is a privately held, CLEC (Competitive Local Exchange Carrier) regulated by the California Public Utilities Commission (CPUC) to provide telephone related services. By proposing this location on an existing street light in the public right of way, Mobilitie is proposing an appropriate co-location to existing infrastructure according to our rights under the CPUC.

The alternative locations that Mobilitie considered include, but are not limited to, the sites listed below:

Alternate B (37.803237, -122.264425) / Near 1505 Jackson Street: This steel street light is located approximately 310 ft. west of our proposal. The geographical features surrounding the street light illustrates the difficulty our antennas would encounter in providing coverage. The overhang of the trees would prove technologically problematic for the antenna by blocking the signal needed for the end user.

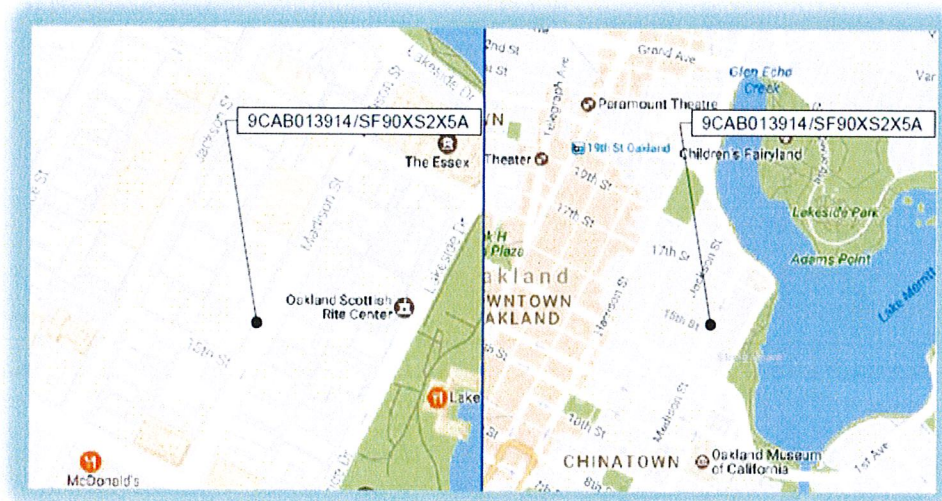
Alternate C (37.804058, -122.264030) / Near 1553 Jackson Street: This steel street light is located approximately 309 ft. northwest of our proposal. The geographical features surrounding the street light illustrates the difficulty our antennas would encounter in providing coverage. The overhang of the trees would prove technologically problematic for the antenna by blocking the signal needed for the end user.

## Attachment E

# Radio Frequency – Electromagnetic Energy (RF-EME) Compliance Report

Site No. 9CAB013914  
Madison St, N of 15th St  
Oakland, California 94612  
Alameda County  
37.802779; -122.263396 NAD83  
Light Pole

EBI Project No. 6217002845  
July 11, 2017



Prepared for:

Mobilitie

3972 Barranca Parkway, Suite J-606  
Costa Mesa, CA 92626

Prepared by:



**ATTACHMENT F**

**EXECUTIVE SUMMARY**

**Purpose of Report**

EnviroBusiness Inc. (dba EBI Consulting) has been contracted by Mobilitie to conduct radio frequency electromagnetic (RF-EME) modeling for Mobilitie Site 9CAB013914 located at Madison St, N of 15th St in Oakland, California to determine RF-EME exposure levels from proposed wireless communications equipment at this site. As described in greater detail in Appendix A of this report, the Federal Communications Commission (FCC) has developed Maximum Permissible Exposure (MPE) Limits for general public exposures and occupational exposures. This report summarizes the results of RF-EME modeling in relation to relevant FCC RF-EME compliance standards for limiting human exposure to RF-EME fields.

This report contains a detailed summary of the RF EME analysis for the site.

This document addresses the compliance of proposed transmitting facilities independently at the site.

Modeling results included in this report are based on drawings dated June 2, 2017 as provided to EBI Consulting. Subsequent changes to the drawings or site design may yield changes in the MPE levels or FCC Compliance recommendations.

<b>Maximum Permissible Exposure (MPE) Summary</b>				
<b>Location</b>	<b>% of FCC General Public/Uncontrolled Exposure Limit</b>	<b>% of FCC Occupational/Controlled Exposure Limit</b>	<b>Power Density (mW/cm<sup>2</sup>)</b>	<b>Occupational Approach Distance (ft.)</b>
<b>Proposed Equipment</b>				
Antenna Face Level	114.20	22.84	1.1420	<1' 0"
Ground	1.40	0.28	0.0140	<1' 0"
Adjacent Building	1.08	0.22	0.0108	<1' 0"

These results are calculated based on max power assumptions for this site. The mounted antenna will contribute the majority to these emissions. Additional equipment to be installed is operating at very low power and contributions to the overall site emission is marginal. Workers accessing any equipment on this pole should follow all safety procedures outlined by the carrier and pole owners

**Statement of Compliance**

Based on worst-case predictive modeling, there are no modeled exposures on any accessible ground-level or adjacent building walking/working surface related to proposed equipment in the area that exceed the FCC's occupational and/or general public exposure limits at this site. As such, the proposed project is in compliance with FCC rules and regulations.

Signage recommendations are presented in Section 9.0 to bring the site into compliance with the FCC Rules and Regulations.

**1.0 LOCATION OF ALL EXISTING ANTENNAS AND FACILITIES AND EXISTING RF LEVELS**

Mobilitie proposes the installation of one (1) wireless telecommunication antenna on a light pole in Oakland, California. The proposed site will have a total of one (1) antenna at the site.

There are no collocated carriers on the light pole.

**2.0 LOCATION OR ALL APPROVED (BUT NOT INSTALLED) ANTENNAS AND FACILITIES AND EXPECTED RF LEVELS FROM THE APPROVED FACILITIES**

There are no antennas or facilities that are approved and not installed based on information provided to EBI and Mobilitie at the time of this report.

**3.0 NUMBER AND TYPES OF WIRELESS TELECOMMUNICATION SITES (WTS) WITHIN 100 FEET OF THE PROPOSED SITE**

Based on aerial photography review, there are no other Wireless Telecommunication Service (WTS) sites observed within 100 feet of the proposed site.

**4.0 LOCATION AND NUMBER OF THE M ANTENNAS AND BACK-UP FACILITIES PER STRUCTURE AND NUMBER AND LOCATION OF OTHER TELECOMMUNICATION FACILITIES ON THE PROPERTY**

Mobilitie proposes the installation of one (1) wireless telecommunication antenna on a light pole in Oakland, California. The proposed site will have a total of one (1) antenna at the site.

There is one sector proposed at this site with one antenna in that sector. The antenna is transmitting omnidirectionally in the 2500 Mhz Frequency range. The bottom of the antenna will be 27.3 feet above the ground level.

There are no collocated carriers on the light pole.

**5.0 POWER RATING FOR ALL EXISTING AND PROPOSED BACKUP EQUIPMENT SUBJECT TO THE APPLICATION**

The operating power of each frequency, for modeling purposes, was assumed to be the following:

<b>Mobilitie Operating Powers Per Sector</b>		
<b>Frequency (MHz)</b>	<b>Power (Watts)</b>	<b># of Transmitters</b>
2500	20	2

Additional transmitter information used in the modeling of Mobilitie antenna is summarized in the RoofView® export file presented in Appendix C.

**6.0 TOTAL NUMBER OF WATTS PER INSTALLATION AND THE TOTAL NUMBER OF WATTS FOR ALL INSTALLATIONS ON THE STRUCTURE**

The Effective Radiated Power (ERP) for each carrier and frequency is summarized below:

<b>Effective Radiated Power (ERP) per Frequency</b>	
<b>Frequency (MHz)</b>	<b>ERP (Watts)</b>
2500	173

**7.0 PREFERRED METHOD OF ATTACHMENT OF PROPOSED ANTENNA INCLUDING DIRECTIONALITY OF ANTENNAS AND HEIGHT OF ANTENNAS ABOVE NEAREST WALKING SURFACE**

Based on the information provided to EBI, the proposed antenna are to be mounted inside an antenna shroud on an existing light pole and operating in the directions, frequencies, and heights mentioned in section 4.0 above.

**8.0 ESTIMATED AMBIENT RADIO FREQUENCY FIELDS FOR THE PROPOSED SITE**

Based on worst-case predictive modeling, there are no modeled exposures on any accessible ground-level or adjacent building walking/working surface related to proposed equipment in the area that exceed the FCC's occupational and/or general public exposure limits at this site. As such, the proposed project is in compliance with FCC rules and regulations.

<b>Maximum Permissible Exposure (MPE) Summary</b>				
<b>Location</b>	<b>% of FCC General Public/Uncontrolled Exposure Limit</b>	<b>% of FCC Occupational/Controlled Exposure Limit</b>	<b>Power Density (mW/cm<sup>2</sup>)</b>	<b>Occupational Approach Distance (ft.)</b>
<b>Proposed Equipment</b>				
Antenna Face Level	114.20	22.84	1.1420	<1' 0"
Ground	1.40	0.28	0.0140	<1' 0"
Adjacent Building	1.08	0.22	0.0108	<1' 0"

The inputs used in the modeling are summarized in the RoofView® export file presented in Appendix C.

**9.0 SIGNAGE AT THE FACILITY IDENTIFYING ALL WTS EQUIPMENT AND SAFETY PRECAUTIONS FOR PEOPLE NEARING THE EQUIPMENT AS MAY BE REQUIRED BY THE APPLICABLE FCC ADOPTED STANDARDS**

Signs are the primary means for control of access to areas where RF exposure levels may potentially exceed the MPE. However, it is not recommended that signage be placed in highly public areas where there are no exposures above the FCC general public limits. Signage at this site should be installed following carrier and local jurisdiction requirements. Additionally, any elevated workers should be alerted to any potential exposures at the antenna face. There are no exposures above the FCC limits at ground level and therefore barriers are not recommended.

Workers that are elevated above the ground may be exposed to power densities greater than the applicable FCC limits. Workers should be informed via signage about the presence of antennas and their associated fields and practice RF Safety Procedures.

Access to this site is accomplished by walking up to the light pole. Access to the antenna is gained via a lift or climbing with fall protection and therefore the antenna are considered not accessible to the general public.



## **10.0 STATEMENT ON PRODUCTION OF THIS REPORT AND QUALIFICATIONS**

Please see the certifications attached in Appendix B below.

## **11.0 LIMITATIONS**

This report was prepared for the use of Mobilitie. It was performed in accordance with generally accepted practices of other consultants undertaking similar studies at the same time and in the same locale under like circumstances. The conclusions provided by EBI are based solely on the information provided by the client. The observations in this report are valid on the date of the investigation. Any additional information that becomes available concerning the site should be provided to EBI so that our conclusions may be revised and modified, if necessary. This report has been prepared in accordance with Standard Conditions for Engagement and authorized proposal, both of which are integral parts of this report. No other warranty, expressed or implied, is made.

## **12.0 SUMMARY AND CONCLUSIONS**

EBI has prepared this Radiofrequency Emissions Compliance Report for the proposed Mobilitie telecommunications equipment at the site located at Madison St, N of 15th St in Oakland, California.

EBI has conducted theoretical modeling to estimate the worst-case power density from proposed Mobilitie antenna to document potential MPE levels at this location and ensure that site control measures are adequate to meet FCC and OSHA requirements. As presented in the preceding sections, based on worst-case predictive modeling, there are no modeled exposures on any accessible ground-level or adjacent building walking/working surface related to proposed equipment in the area that exceed the FCC's occupational and/or general public exposure limits at this site. As such, the proposed project is in compliance with FCC rules and regulations.

Signage is recommended at the site as presented in Section 9.0. Posting of the signage brings the site into compliance with FCC rules and regulations.

**Appendix A**  
**Federal Communications**  
**Commission (FCC) Requirements**

The FCC has established Maximum Permissible Exposure (MPE) limits for human exposure to Radiofrequency Electromagnetic (RF-EME) energy fields, based on exposure limits recommended by the National Council on Radiation Protection and Measurements (NCRP) and, over a wide range of frequencies, the exposure limits developed by the Institute of Electrical and Electronics Engineers, Inc. (IEEE) and adopted by the American National Standards Institute (ANSI) to replace the 1982 ANSI guidelines. Limits for localized absorption are based on recommendations of both ANSI/IEEE and NCRP.

The FCC guidelines incorporate two separate tiers of exposure limits that are based upon occupational/controlled exposure limits (for workers) and general public/uncontrolled exposure limits for members of the general public.

**Occupational/controlled exposure limits** apply to situations in which persons are exposed as a consequence of their employment and in which those persons who are exposed have been made fully aware of the potential for exposure and can exercise control over their exposure. Occupational/controlled exposure limits also apply where exposure is of a transient nature as a result of incidental passage through a location where exposure levels may be above general public/uncontrolled limits (see below), as long as the exposed person has been made fully aware of the potential for exposure and can exercise control over his or her exposure by leaving the area or by some other appropriate means.

**General public/uncontrolled exposure limits** apply to situations in which the general public may be exposed or in which persons who are exposed as a consequence of their employment may not be made fully aware of the potential for exposure or cannot exercise control over their exposure. Therefore, members of the general public would always be considered under this category when exposure is not employment-related, for example, in the case of a telecommunications tower that exposes persons in a nearby residential area.

Table I and Figure I (below), which are included within the FCC's OET Bulletin 65, summarize the MPE limits for RF emissions. These limits are designed to provide a substantial margin of safety. They vary by frequency to take into account the different types of equipment that may be in operation at a particular facility and are "time-averaged" limits to reflect different durations resulting from controlled and uncontrolled exposures.

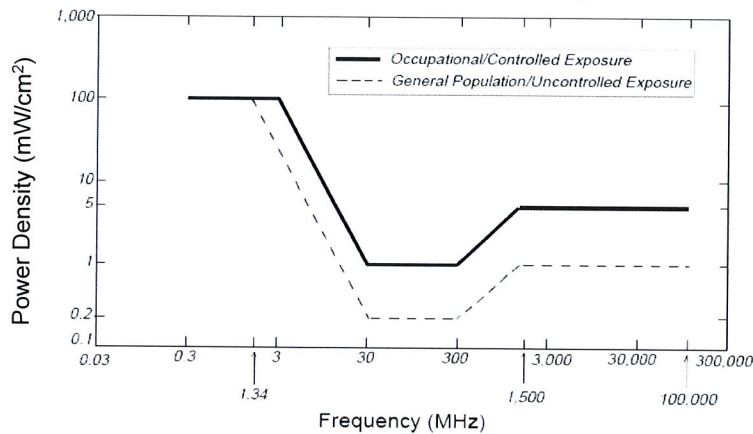
The FCC's MPEs are measured in terms of power (mW) over a unit surface area (cm<sup>2</sup>). Known as the power density, the FCC has established an occupational MPE of 5 milliwatts per square centimeter (mW/cm<sup>2</sup>) and an uncontrolled MPE of 1 mW/cm<sup>2</sup> for equipment operating in the 1900 MHz and 2500 MHz frequency ranges. For the Mobilitie equipment operating at 800 MHz, the FCC's occupational MPE is 2.66 mW/cm<sup>2</sup> and an uncontrolled MPE of 0.53 mW/cm<sup>2</sup>. These limits are considered protective of these populations.

Table I: Limits for Maximum Permissible Exposure (MPE)				
(A) Limits for Occupational/Controlled Exposure				
Frequency Range (MHz)	Electric Field Strength (E) (V/m)	Magnetic Field Strength (H) (A/m)	Power Density (S) (mW/cm <sup>2</sup> )	Averaging Time [E] <sup>2</sup> , [H] <sup>2</sup> , or S (minutes)
0.3-3.0	614	1.63	(100)*	6
3.0-30	1842/f	4.89/f	(900/f <sup>2</sup> )*	6
30-300	61.4	0.163	1.0	6
300-1,500	--	--	f/300	6
1,500-100,000	--	--	5	6
(B) Limits for General Public/Uncontrolled Exposure				
Frequency Range (MHz)	Electric Field Strength (E) (V/m)	Magnetic Field Strength (H) (A/m)	Power Density (S) (mW/cm <sup>2</sup> )	Averaging Time [E] <sup>2</sup> , [H] <sup>2</sup> , or S (minutes)
0.3-1.34	614	1.63	(100)*	30
1.34-30	824/f	2.19/f	(180/f <sup>2</sup> )*	30
30-300	27.5	0.073	0.2	30
300-1,500	--	--	f/1,500	30
1,500-100,000	--	--	1.0	30

f = Frequency in (MHz)

\* Plane-wave equivalent power density

Figure 1. FCC Limits for Maximum Permissible Exposure (MPE)  
 Plane-wave Equivalent Power Density



Based on the above, the most restrictive thresholds for exposures of unlimited duration to RF energy for several personal wireless services are summarized below:

Personal Wireless Service	Approximate Frequency	Occupational MPE	Public MPE
Personal Communication (PCS)	1,950 MHz	5.00 mW/cm <sup>2</sup>	1.00 mW/cm <sup>2</sup>
Cellular Telephone	870 MHz	2.90 mW/cm <sup>2</sup>	0.58 mW/cm <sup>2</sup>
Specialized Mobile Radio	855 MHz	2.85 mW/cm <sup>2</sup>	0.57 mW/cm <sup>2</sup>
Most Restrictive Freq. Range	30-300 MHz	1.00 mW/cm <sup>2</sup>	0.20 mW/cm <sup>2</sup>

MPE limits are designed to provide a substantial margin of safety. These limits apply for continuous exposures and are intended to provide a prudent margin of safety for all persons, regardless of age, gender, size, or health.

Personal Communication System (PCS) facilities used by Mobilitie in this area operate within a frequency range of 800-1900 MHz. Facilities typically consist of: 1) electronic transceivers (the radios or cabinets) connected to wired telephone lines; and 2) antennas that send the wireless signals created by the transceivers to be received by individual subscriber units (PCS telephones). Transceivers are typically connected to antennas by coaxial cables.

Advanced Wireless Services (AWS) facilities used by the carrier in this area operate within a frequency range of 2496 - 2690 MHz. Facilities typically consist of: 1) electronic transceivers (the radios or cabinets); and 2) antennas that send the wireless signals created by the transceivers to be received by individual subscriber units. Transceivers are typically connected to antennas by coaxial cables.

Because of the short wavelength of PCS/AWS services, the antennas require line-of-site paths for good propagation, and are typically installed above ground level. Antennas are constructed to concentrate energy towards the horizon, with as little energy as possible scattered towards the ground or the sky. This design, combined with the low power of PCS facilities, generally results in no possibility for exposure to approach Maximum Permissible Exposure (MPE) levels, with the exception of areas directly in front of the antennas.

### **FCC Compliance Requirement**

A site is considered out of compliance with FCC regulations if there are areas that exceed the FCC exposure limits and there are no RF hazard mitigation measures in place. Any carrier which has an installation that contributes more than 5% of the applicable MPE must participate in mitigating these RF hazards.


## **Appendix B**

### **Certifications**

## Preparer Certification

I, Alexandra Vest, state that:

- I am an employee of EnviroBusiness Inc. (d/b/a EBI Consulting), which provides RF-EME safety and compliance services to the wireless communications industry.
- I have successfully completed RF-EME safety training, and I am aware of the potential hazards from RF-EME and would be classified "occupational" under the FCC regulations.
- I am familiar with the FCC rules and regulations as well as OSHA regulations both in general and as they apply to RF-EME exposure.
- I have reviewed the data provided by the client and incorporated it into this Site Compliance Report such that the information contained in this report is true and accurate to the best of my knowledge.



---

Reviewed and Approved by:



sealed 12jul2017

---

Michael McGuire  
Electrical Engineer

Note that EBI's scope of work is limited to an evaluation of the Radio Frequency – Electromagnetic Energy (RF-EME) field generated by the antennas and broadcast equipment noted in this report. The engineering and design of the building and related structures, as well as the impact of the antennas and broadcast equipment on the structural integrity of the building, are specifically excluded from EBI's scope of work.



## **Appendix C**

### **Roofview® Export File / Antenna Inventory**

Map, Settings, Antenna, and Symbol Data Table... Exported from workbook -> RoofView 4.15.xls

Done on 7/3/2017 at 6:15:02 PM.

Use this format to prepare other data sets for the RoofView workbook file.

You may use as many rows in this TOP header as you wish.

The critical point are the cells in COLUMN ONE that read 'Start...' (eg. StartMapDefinition)

If used, these (4) headers are required to be spelled exactly, as one word (eg. StartMapDefinition)

The very next row will be considered the start of that data block.

The first row of the data block can be a header (as shown below), but this is optional.

When building a text file for import, Add the Map info first, then the Antenna data, followed by the symbol data.

All rows above the first marker line 'Start...' will be ignored, no matter how many there are.

This area is for you use for documentation.

End of help comments.

You can place as much text here as you wish as long as you don't place it below

the Start Map Definition row below the blue line.

You may insert more rows using the insert menu.

Should you need additional lines to document your project, simply insert additional rows

by highlighting the row number adjacent to the blue line below and then clicking on the insert menu

and selecting rows.

**StartMapDefinition**

Roof Max \ Roof Max \ Map Max \ Y Offset X Offset Number of envelope  
 170 160 180 170 10 10 1 \$US41.\$FX \$US41.\$FX\$210

**StartSettingsData**

Standard	Method	Uptime	Scale	Factc	Low	Mid	Hi	Color	Over	Color	Ap	Ht	Mult	Ap	Ht	Method
4			3	1	100	1	500	2	3	3	1.5	1				

**StartAntennaData**

It is advisable to provide an ID (ant 1) for all antennas

ID	Name	Freq	Power	Trans	Coax	Other	Input	Calc
MOB1	Mobilite	2500	20	2	0	0	0	0

**StartSymbolData**

Map Mark:Roof X Roof Y Map Label Description ( notes for this table only )

Sym	MAC Unit	Sample symbols
Sym	5	35 AC Unit
Sym	14	5 Roof Access
Sym	45	5 AC Unit
Sym	45	20 Ladder

List Of Area  
 \$US41.\$FX

(ft)	Aper	dBd	BWdth	Uptime	ON
30	2.4	6.35	Omni;0	Profile	flag
27.3					ON*

## PUBLIC UTILITIES COMMISSION

505 VAN NESS AVENUE

SAN FRANCISCO, CA 94102-3298



July 7, 2017

Ankur Patel  
Moblitie LLC  
2955 Red Hill Ave, Ste. 200  
Costa Mesa, CA 92626

Dear Mr. Patel:

Moblitie LLC submitted a Notice of Proposed Construction Moblitie NPC2017-38 for the installation of 95 new wireless facilities in the County of Alameda, California. The NPC requests the Energy Division to act upon Moblitie's request for a determination that the proposed project is consistent with the actions identified as categorically exempt from the California Environmental Quality Act (CEQA) by the California Public Utilities Commission (Commission).

On July 22, 2010, Moblitie submitted A.10-07-023 seeking the authority to provide full-facilities based, resold competitive local exchange, and interexchange service in California. In the application, Moblitie explained that their projects would involve the installation of underground conduit in existing rights of way and utility easements, replacement of existing utility poles, installation of new poles, and installation of underground vaults to accommodate small cell communications equipment. Under D. 10-12-004, the Commission determined that the projects planned by Moblitie would fall within one of several categorical exemptions under CEQA, and that further environmental review would not be required.

The Energy Division has reviewed Moblitie's proposal to install 95 new wireless facilities in the County of Alameda, California and has determined that the proposed project is consistent with the actions identified by the Commission as categorically exempt from CEQA. The Energy Division hereby grants Moblitie with the authority to proceed with the construction of the project as described in the NPC.

Sincerely,

A handwritten signature in blue ink that reads 'Jensen Uchida'.

Jensen Uchida  
California Public Utilities Commission  
Regulatory Analyst

**ATTACHMENT G**



**ATTACHMENT H**



Mobilitie, LLC  
2955 Red Hill Ave. Ste. 200  
Costa Mesa, CA 92626  
USA Tel: 714.415.4500  
www.mobilitie.com

June 22, 2017

**RE: Authorization to Submit Permit Applications**  
**For:** Facility on a Metal Street Light Pole  
**GPS Location:** 37.802779, -122.263396  
**Nearest Address:** 1551 Madison St., Oakland, CA 94612  
**Nearest APN:** 008 062901001  
**Jurisdiction:** City of Oakland  
**Applicant:** Mobilitie, LLC

To Whom It May Concern:

This letter authorizes James Singleton as duly appointed representatives to obtain permits for the Applicant Mobilitie, LLC at the above-referenced site. The site is an existing standard metal street light pole.

The document does not authorize the construction of the proposed facility, and is strictly provided as a submittal requirement, as required by the City Planning Department and applicable City Ordinance. This document in no way authorizes Mobilitie, LLC to use City owned infrastructure and enter into a Site License Agreement. Mobilitie, LLC fully understands that they are submitting the zoning review application at their own risk, and does so willingly.

Thank you.

Sincerely,

James Golde  
Real Estate Manager