

PURPOSE:

PROVISION C.3 OF THE MUNICIPAL REGIONAL STORMWATER NPDES PERMIT (MRP) REQUIRES TREATMENT OF IMPERVIOUS SURFACES USING GREEN INFRASTRUCTURE FOR BOTH PUBLIC AND PRIVATE DEVELOPMENT PROJECTS. BIORETENTION AREAS ARE EXPECTED TO BE THE MOST COMMON GREEN INFRASTRUCTURE APPLICATION IN PUBLIC RIGHT-OF-WAY (ROW). THE PURPOSE OF THE BIORETENTION AREA IS TO IMPROVE WATER QUALITY BY FILTRATION THROUGH THE BIOTREATMENT SOIL AND TO CONTROL RUNOFF PEAK FLOW RATES AND VOLUMES THROUGH STORAGE AND INFILTRATION.

NOTES & GUIDELINES:

1. THE ENGINEER SHALL ADAPT PLAN AND SECTION DRAWINGS TO ADDRESS SITE-SPECIFIC CONDITIONS.
2. BIORETENTION AREA SHALL BE SIZED TO MEET THE REQUIREMENTS OF MRP PROVISION C.3 SIZING.
3. 48 HOUR MAXIMUM FACILITY DRAWDOWN TIME (TIME FOR MAXIMUM SURFACE PONDING TO DRAIN THROUGH THE BIOTREATMENT SOIL AFTER THE END OF A STORM). REFER TO C.3 TECHNICAL GUIDANCE MANUAL (ACCWP) FOR DRAINAGE CONSIDERATIONS.
4. A STORAGE LAYER OF CALTRANS STANDARD CLASS II PERMEABLE MATERIAL IS REQUIRED UNDER THE BIOTREATMENT SOIL. REFER TO C.3 TECHNICAL GUIDANCE MANUAL (ACCWP) FOR SPECIFICATIONS.
5. CHECK DAMS SHALL BE USED TO TERRACE FACILITIES TO PROVIDE SUFFICIENT PONDING FOR SLOPED INSTALLATIONS. ENGINEER SHALL SPECIFY CHECK DAM HEIGHT AND SPACING. REFER TO DETAIL **GI-7** FOR GUIDANCE ON CHECK DAM DESIGN.
6. DEPENDING ON THE DEPTH OF THE BIORETENTION AREA, ADDITIONAL STRUCTURAL CONSIDERATIONS MAY BE REQUIRED TO ADDRESS HORIZONTAL LOADING. REFER TO DETAIL **GI-5** FOR GUIDANCE ON EDGE TREATMENTS.
7. WHEN FACILITY CONSTRUCTION IMPACTS EXISTING SIDEWALK, ALL SAW CUTS SHALL ADHERE TO LOCAL JURISDICTION STANDARDS. SAW CUTS SHALL BE ALONG SCORE LINES OR ALONG CONSTRUCTION JOINTS, AS DETERMINED BY THE CITY ENGINEER, AND ANY DISTURBED SIDEWALK FLAGS SHALL BE REPLACED IN THEIR ENTIRETY.
8. BIORETENTION AREAS IN PUBLIC RIGHT OF WAY SHALL BE DESIGNED WITH AN EMERGENCY OVERFLOW. IN THE EVENT THE BIORETENTION AREA OVERFLOW DRAIN IS OBSTRUCTED OR CLOGGED, THE INUNDATION AREA SHALL BE CONTAINED WITHIN THE STREET AND SHALL NOT BE WITHIN ADJACENT PRIVATE PROPERTIES.
9. BIORETENTION AREA VEGETATION SHALL BE SPECIFIED BY LANDSCAPE DESIGN PROFESSIONAL. SEE C.3 TECHNICAL GUIDANCE MANUAL (ACCWP) FOR PLANT LIST AND VEGETATION GUIDANCE.
10. THE ENGINEER SHALL EVALUATE THE NEED FOR EROSION PROTECTION AT ALL INLET LOCATIONS. ALL COBBLES USED FOR ENERGY DISSIPATION SHALL BE GROUTED. ENGINEER TO CONSIDER MAINTENANCE REQUIREMENTS TO FACILITATE EASY SEDIMENT REMOVAL AND ADEQUATE VECTOR CONTROL.
11. THE PROJECT PLANS SHALL SHOW ALL EXISTING UTILITIES AND INDICATE POTENTIAL UTILITY CROSSINGS OR CONFLICTS.
12. CHECK WITH LOCAL JURISDICTION FOR UTILITY CROSSING PROVISIONS.
13. MINIMUM UTILITY SETBACKS AND PROTECTION MEASURES SHALL CONFORM TO CURRENT LOCAL JURISDICTION STANDARDS AND OTHER UTILITY PROVIDER REQUIREMENTS.
14. VERTICAL SIDEWALLS EXTENDING INTO EXISTING STORM DRAIN PIPE TRENCH BACKFILL SHALL BE DESIGNED WITH A CONCRETE BACKFILL ACCEPTABLE TO THE CITY ENGINEER.
15. OVERFLOW RISER MUST BE FORMED SUCH THAT IT IS A MINIMUM OF 6" ABOVE THE BOTTOM OF THE SYSTEM INLET, OR AS DESIGNED. PLACE STRUCTURE ADJACENT TO PEDESTRIAN EDGE TO ALLOW FOR MONITORING ACCESS.
16. DETAILS WERE ADAPTED FROM SFPUC GREEN INFRASTRUCTURE TYPICAL DETAILS AND SPECIFICATIONS.
17. DETAILS WERE DEVELOPED BY GEOSYNTEC CONSULTANTS.

ENGINEER CHECKLIST (SHALL SPECIFY, AS APPLICABLE):

- BIORETENTION AREA WIDTH AND LENGTH
- DEPTH OF PONDING
- AMOUNT OF FREEBOARD PROVIDED
- DEPTH OF BIOTREATMENT SOIL (18" MIN)
- UNDERDRAIN SPECIFICATIONS AND LOCATION (IF FACILITY IS LINED PLACE UNDERDRAIN AT BOTTOM OF FACILITY)
- BIORETENTION SURFACE ELEVATION (TOP OF BIOTREATMENT SOIL) AT UPSLOPE AND DOWNSLOPE ENDS OF FACILITY
- CONTROL POINTS AT EVERY BIORETENTION WALL CORNER AND POINT OF TANGENCY
- DIMENSIONS AND DISTANCE TO EVERY INLET, OUTLET, CHECK DAM, SIDEWALK NOTCH, ETC.
- ELEVATIONS OF EVERY INLET, OVERFLOW RISER, STRUCTURE RIM AND INVERT CHECK DAM, BIORETENTION AREA WALL CORNER, AND SIDEWALK NOTCH
- TYPE AND DESIGN OF BIORETENTION AREA COMPONENTS (E.G., EDGE TREATMENTS, INLETS/GUTTER MODIFICATIONS, UTILITY CROSSINGS, LINER, AND PLANTING DETAILS)
- DEPTH AND TYPE OF MULCH (NON-FLOATING; ORGANICALLY-DERIVED; NOT BARK OR GORILLA HAIR; 3" MIN)

RELATED TECHNICAL GUIDANCE	SOURCE
BIORETENTION: - BIOTREATMENT SOIL MIX - CALTRANS CLASS II PERM LAYER STORAGE - PERFORATED UNDERDRAIN - NON-FLOATING MULCH	C.3 TECHNICAL GUIDANCE MANUAL (ACCWP)

NOT FOR CONSTRUCTION

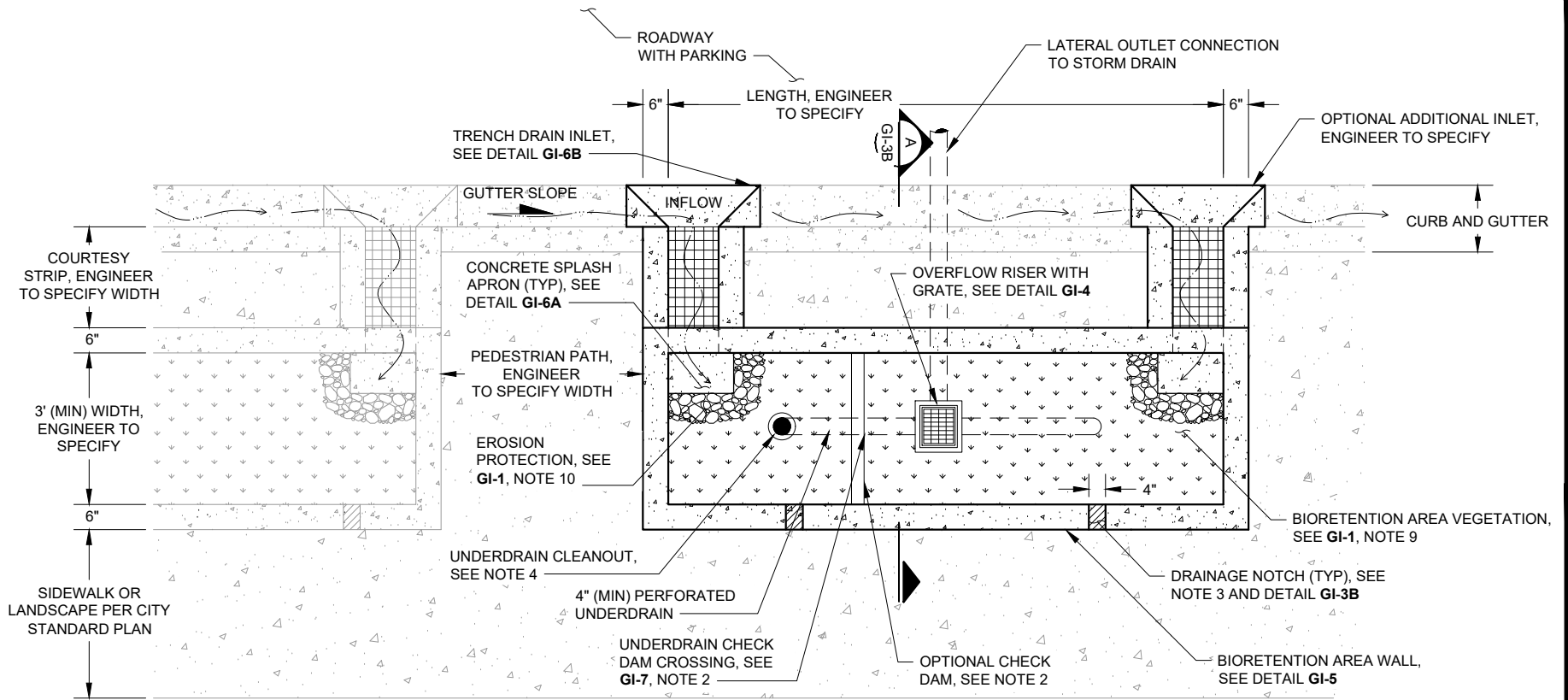
BIORETENTION AREA: NOTES



**GREEN INFRASTRUCTURE
EXAMPLE DETAILS**
ALAMEDA COUNTYWIDE CLEAN
WATER PROGRAM

SCALE: NOT TO SCALE
 DATE: MAY 11, 2018 REVISED: JUNE 11, 2019
 DRAWN BY: K. K. REVISED BY: E. F.
 CHECKED BY: A. R.

GI-1



NOTES:

1. REFER TO GI-1 NOTES FOR GUIDELINES AND CHECKLIST.
2. CHECK DAMS SHALL BE SPACED TO PROVIDE PONDING PER SITE SPECIFIC DESIGN (SEE DETAIL GI-7).
3. LAY OUT DRAINAGE NOTCHES AS APPLICABLE TO PREVENT PONDING BEHIND BIORETENTION AREA WALL WITH 5' MAXIMUM SPACING BETWEEN NOTCHES.
4. PROVIDE ONE UNDERDRAIN CLEANOUT PER BIORETENTION AREA (MIN). CLEANOUT REQUIRED AT UPSTREAM END AND PIPE ANGLE POINTS EXCEEDING 45 DEGREES. LONGITUDINAL SLOPE OF PIPE SHALL BE 0.5% (MIN).

NOT FOR CONSTRUCTION

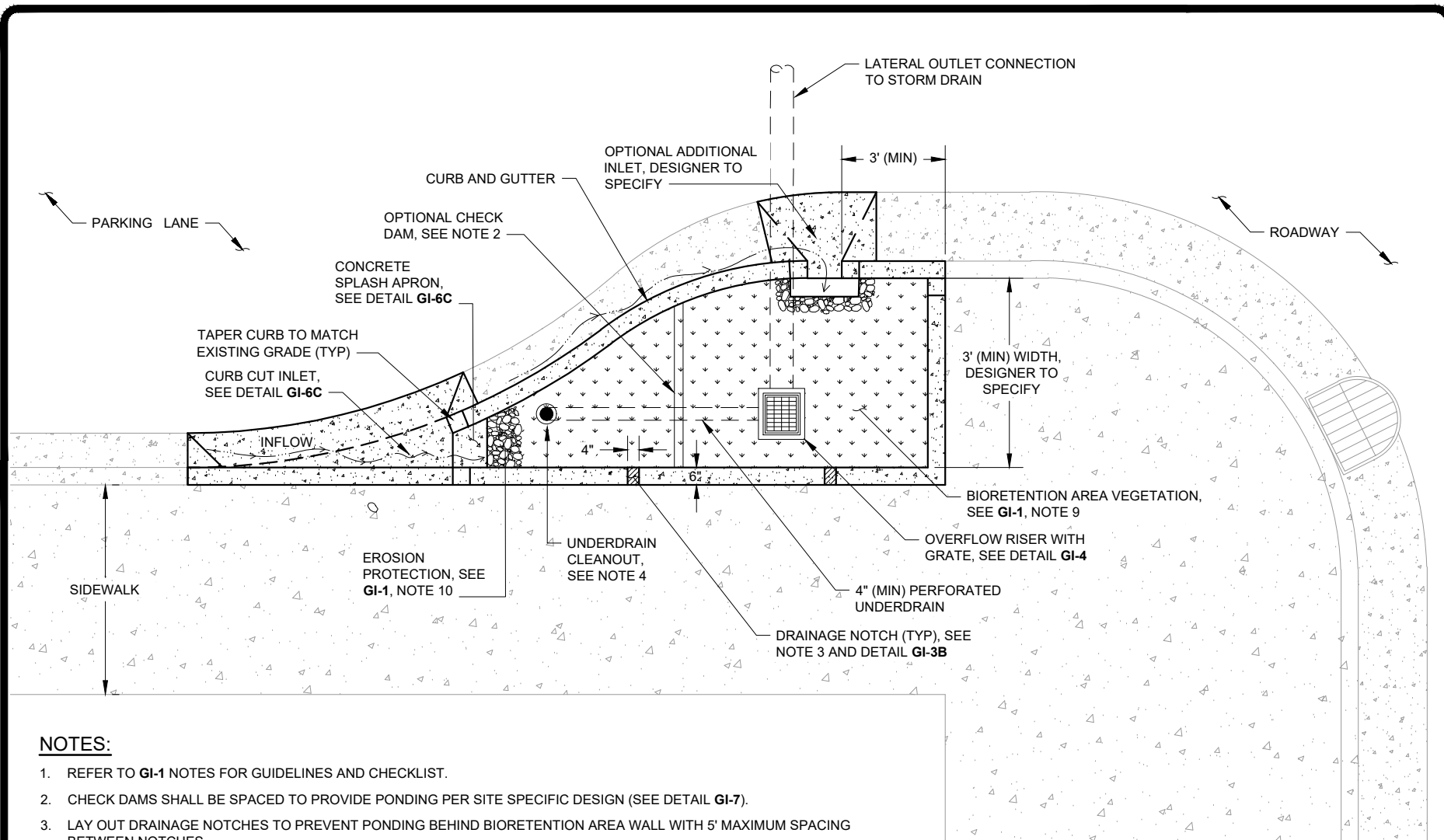
BIORETENTION AREA: PLAN VIEW WITH STREET PARKING



GREEN INFRASTRUCTURE
EXAMPLE DETAILS
ALAMEDA COUNTYWIDE CLEAN
WATER PROGRAM

SCALE: NOT TO SCALE
DATE: MAY 11, 2018 REVISED: JUNE 11, 2019
DRAWN BY: K. K REVISED BY: E. F.
CHECKED BY: A. R.

GI-2A



NOTES:

1. REFER TO GI-1 NOTES FOR GUIDELINES AND CHECKLIST.
2. CHECK DAMS SHALL BE SPACED TO PROVIDE PONDING PER SITE SPECIFIC DESIGN (SEE DETAIL GI-7).
3. LAY OUT DRAINAGE NOTCHES TO PREVENT PONDING BEHIND BIORETENTION AREA WALL WITH 5' MAXIMUM SPACING BETWEEN NOTCHES.
4. PROVIDE ONE UNDERDRAIN CLEANOUT PER BIORETENTION AREA (MIN). CLEANOUT REQUIRED AT UPSTREAM END AND PIPE ANGLE POINTS EXCEEDING 45 DEGREES. LONGITUDINAL SLOPE OF PIPE SHALL BE 0.5% (MIN).

NOT FOR CONSTRUCTION

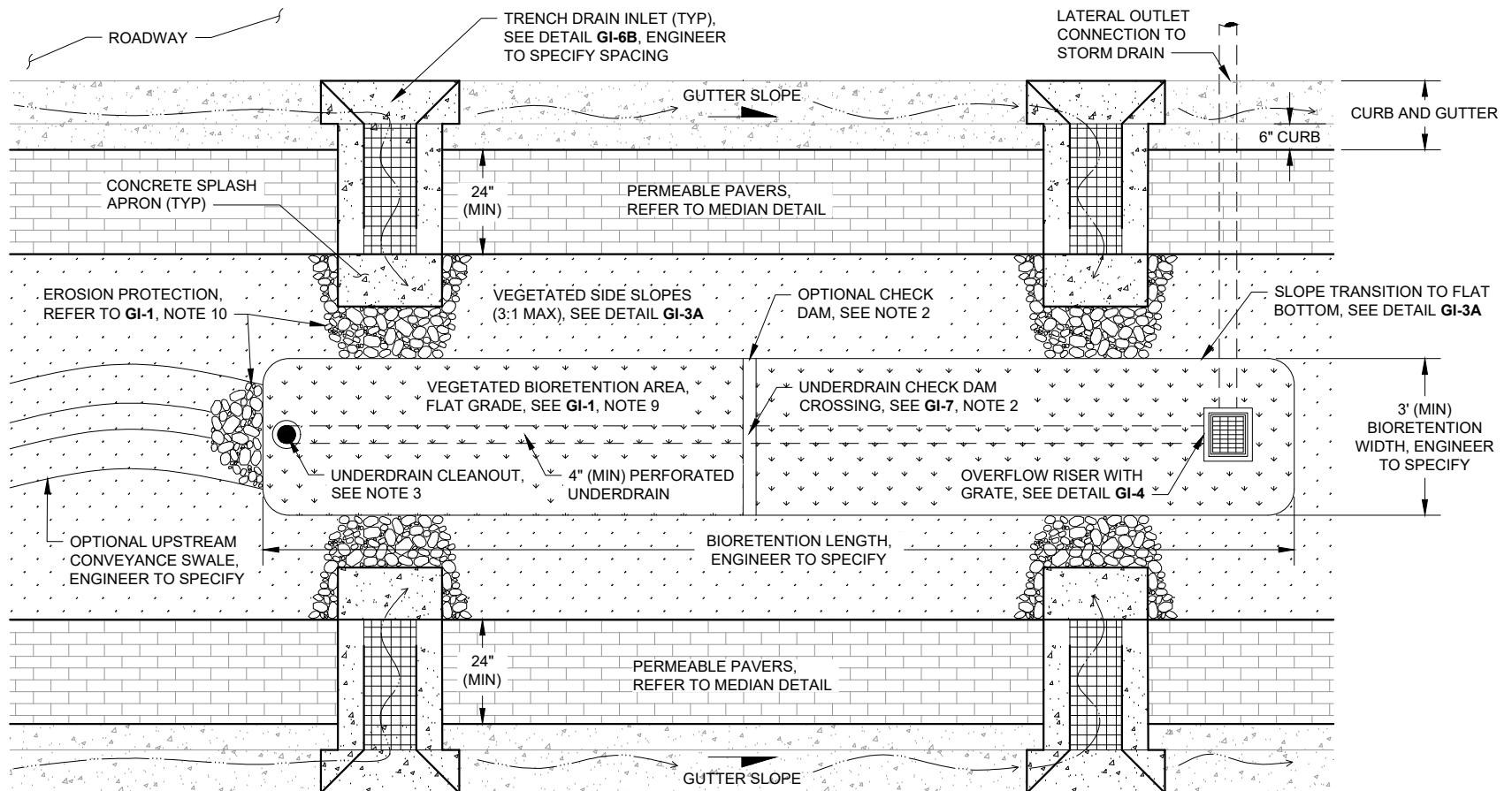
BIORETENTION AREA: BULBOUT PLAN VIEW



**GREEN INFRASTRUCTURE
EXAMPLE DETAILS**
ALAMEDA COUNTYWIDE CLEAN
WATER PROGRAM

SCALE: NOT TO SCALE	
DATE: MAY 11, 2018	REVISED: JUNE 11, 2019
DRAWN BY: K. K.	REVISED BY: E. F.
CHECKED BY: A. R.	

GI-2B



NOTES:

1. REFER TO **GI-1** NOTES FOR GUIDELINES AND CHECKLIST.
2. CHECK DAMS SHALL BE SPACED TO PROVIDE PONDING PER SITE SPECIFIC DESIGN (SEE DETAIL **GI-7**).
3. PROVIDE ONE UNDERDRAIN CLEANOUT PER BIORETENTION AREA (MIN). CLEANOUT REQUIRED AT UPSTREAM END AND PIPE ANGLE POINTS EXCEEDING 45 DEGREES. LONGITUDINAL SLOPE OF PIPE SHALL BE 0.5% (MIN).
4. DESIGNERS TO REFERENCE AASHTO ROADSIDE SAFETY DESIGN REQUIREMENTS AND CONSIDER USE OF MEDIAN BIORETENTION AREAS IN RELATION TO STREET CLASSIFICATION AND STREET SPEEDS.
5. A STORAGE VOLUME SAFETY FACTOR OF 1.5 SHALL BE INCLUDED IN THE DESIGN OF MEDIAN BIORETENTION AREAS TO PREVENT FLOODING.
6. SLOPED SIDES (**GI-3A**) DEPICTED IN PLAN VIEW ABOVE, REFER TO **GI-3B** IF VERTICAL SIDE WALLS ARE USED.

NOT FOR CONSTRUCTION



**GREEN INFRASTRUCTURE
EXAMPLE DETAILS**
ALAMEDA COUNTYWIDE CLEAN
WATER PROGRAM

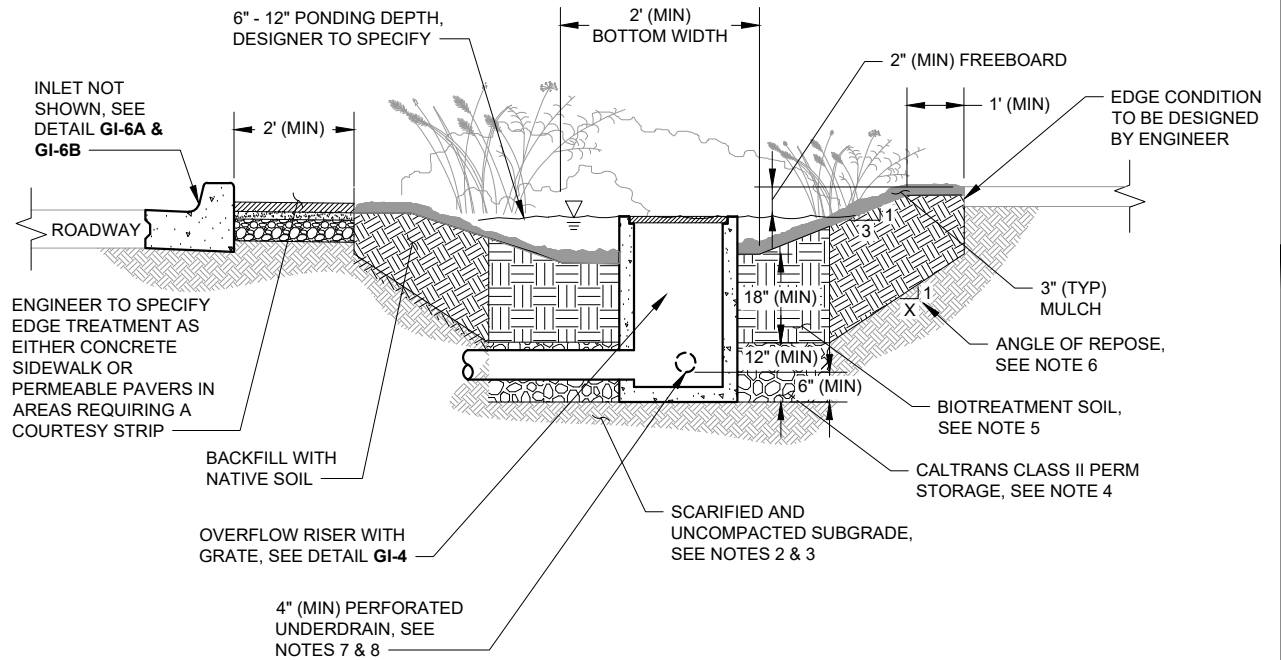
BIORETENTION AREA: STREET MEDIAN

SCALE: NOT TO SCALE
DATE: MAY 11, 2018 REVISED: JUNE 11, 2019
DRAWN BY: K. K. REVISED BY: E. F.
CHECKED BY: A. R.

GI-2C

NOTES:

1. REFER TO **GI-1** NOTES FOR GUIDELINES AND CHECKLIST.
2. AVOID UNNECESSARY COMPACTION OF EXISTING SUBGRADE BELOW AREA.
3. SCARIFY SUBGRADE TO A DEPTH OF 3" (MIN) IMMEDIATELY PRIOR TO PLACEMENT OF CALTRANS CLASS 2 PERMEABLE MATERIAL STORAGE LAYER AND BIOTREATMENT SOIL MATERIALS.
4. AGGREGATE STORAGE LAYER COMPRISED OF 12" MIN CALTRANS CLASS 2 PERMEABLE MATERIAL.
5. REFER TO C.3 TECHNICAL GUIDANCE MANUAL (ACCWP) FOR BIOTREATMENT SOIL MIX SPECIFICATIONS. INSTALL BIOTREATMENT SOIL AT 85% COMPACTION FOLLOWING BASMAA INSTALLATION GUIDANCE.
6. ANGLE OF REPOSE VARIES PER GEOTECHNICAL ENGINEER RECOMMENDATIONS.
7. UNDERDRAIN AND CLEAN OUT PIPE (1 MIN PER FACILITY) REQUIRED, REFER TO C.3 TECHNICAL GUIDANCE MANUAL (ACCWP) FOR DESIGN CONSIDERATIONS. UNDERDRAINS SHOULD BE ELEVATED 6" (MIN) WITHIN THE CALTRANS CLASS 2 PERMEABLE MATERIAL STORAGE LAYER TO PROMOTE INFILTRATION. IN FACILITIES WITH AN IMPERMEABLE LINER, THE UNDERDRAIN SHOULD BE PLACED AT THE BOTTOM OF THE CALTRANS CLASS 2 PERMEABLE MATERIAL STORAGE LAYER. PERFORATED/SLOT DRAINS SHOULD BE DOWNWARD FACING TO FACILITATE BETTER STORAGE IN THE GRAVEL LAYER.
8. THE UNDERDRAIN IN ALL FACILITIES LOCATED IN THE PUBLIC RIGHT-OF-WAY SHALL BE VIDEO RECORDED AND PROVIDED TO THE CITY FOR REVIEW PRIOR TO PROJECT ACCEPTANCE.
9. REFER TO LOCAL JURISDICTION STANDARDS FOR CURB AND SIDEWALK DETAILS.



NOT FOR CONSTRUCTION

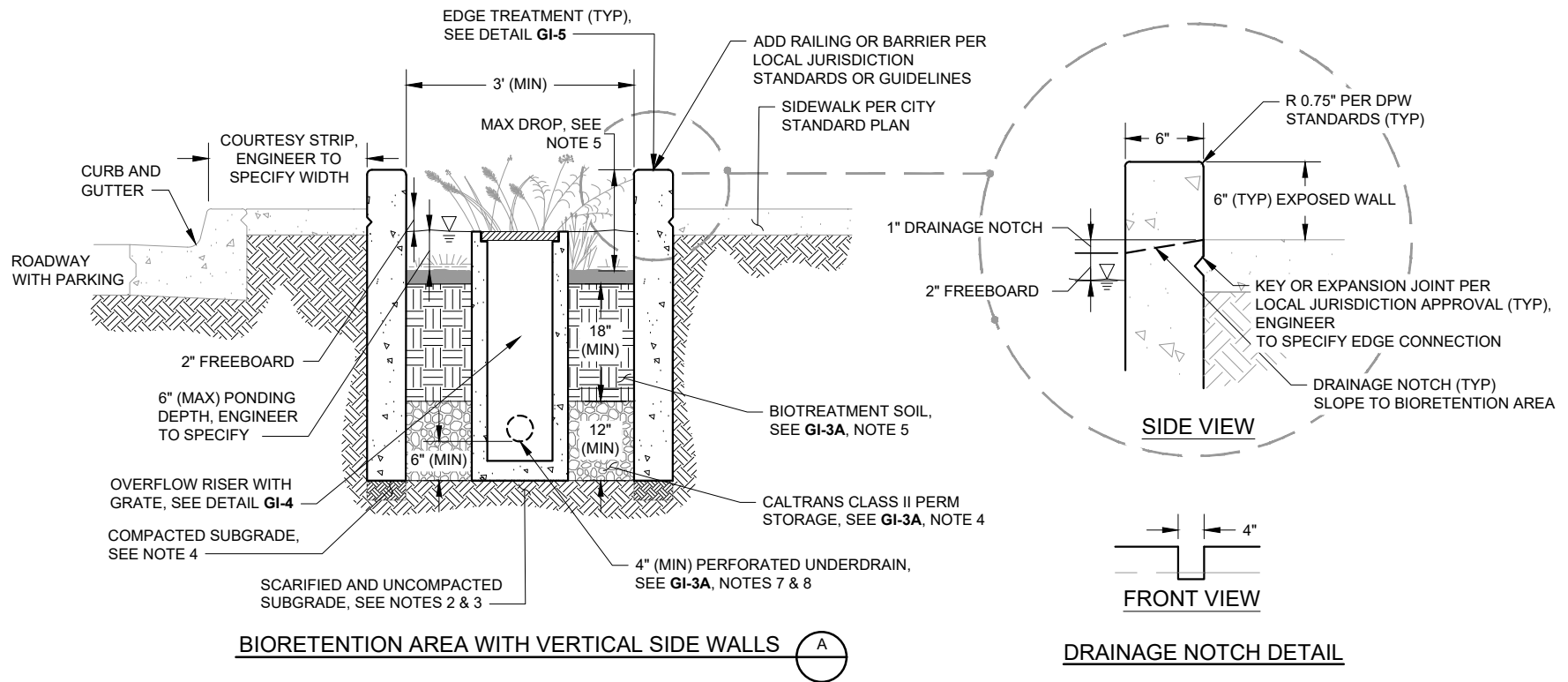
BIORETENTION AREA: SLOPED SIDES CROSS SECTION



**GREEN INFRASTRUCTURE
EXAMPLE DETAILS**
ALAMEDA COUNTYWIDE CLEAN
WATER PROGRAM

SCALE: NOT TO SCALE
DATE: MAY 11, 2018 REVISED: JUNE 11, 2019
DRAWN BY: K. K. REVISED BY: E. F.
CHECKED BY: A. R.

GI-3A



NOTES:

1. REFER TO GI-1 NOTES FOR GUIDELINES AND CHECKLIST.
2. AVOID UNNECESSARY COMPACTION OF EXISTING SUBGRADE BELOW BIORETENTION AREA.
3. SCARIFY SUBGRADE TO A DEPTH OF 3" (MIN) IMMEDIATELY PRIOR TO PLACEMENT OF AGGREGATE STORAGE AND BIOTREATMENT SOIL MATERIAL.
4. FOR STRUCTURAL SUPPORT, SUBGRADE UNDER WALLS ONLY COMPACTED PER ENGINEER SPECIFICATIONS.
5. MAXIMUM DROP, PER LOCAL BUILDING CODE, FROM TOP OF CURB TO TOP OF BIOTREATMENT SOIL SHALL INCLUDE CONSIDERATIONS FOR BIOTREATMENT SOIL SETTLEMENT. THE DROP IS THE SUM OF PONDING DEPTH (6" TYP), FREEBOARD (2" TYP), AND CURB HEIGHT (6" TYP).
6. REFER TO LOCAL JURISDICTION STANDARDS FOR CURB AND SIDEWALK DETAILS.

NOT FOR CONSTRUCTION



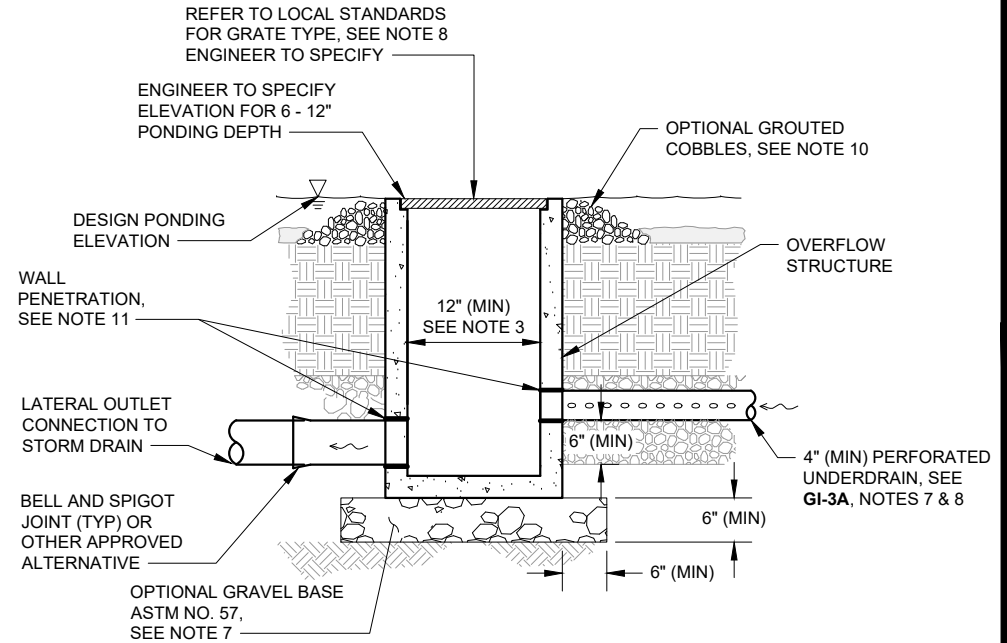
**GREEN INFRASTRUCTURE
EXAMPLE DETAILS**
ALAMEDA COUNTYWIDE CLEAN
WATER PROGRAM

SCALE: NOT TO SCALE
DATE: MAY 11, 2018 REVISED: JUNE 11, 2019
DRAWN BY: K. K. REVISED BY: E. F.
CHECKED BY: A. R.

GI-3B

NOTES:

1. REFER TO **GI-1** NOTES FOR GUIDELINES AND CHECKLIST.
2. ALL MATERIAL AND WORKMANSHIP FOR OVERFLOW STRUCTURES SHALL CONFORM TO LOCAL JURISDICTION STANDARDS.
3. DESIGN OVERFLOW WEIR AND OUTLET PIPE TO CONVEY 10-YR, 24-HR STORM FLOW OR DESIGN INLET TO DIVERT FLOWS LARGER THAN THE DESIGN STORM DIRECTLY TO THE STORM DRAIN. LOCATE ALL OVERFLOW PIPES AT AN ELEVATION HIGHER THAN THE STORM SEWER HYDRAULIC GRADE LINE TO PREVENT BACKFLOW INTO THE BIORETENTION FACILITY.
4. STORM DRAIN OUTLET PIPES SHALL BE SIZED TO MEET HYDRAULIC REQUIREMENTS WITH APPROPRIATE COVER DEPTH AND PIPE MATERIAL.
5. PERFORATED UNDERDRAINS WITH CLEANOUT PIPES ARE REQUIRED. PERFORATED/SLOT DRAINS SHOULD BE DOWNWARD FACING TO FACILITATE BETTER STORAGE IN THE GRAVEL LAYER.
6. MAINTENANCE ACCESS IS REQUIRED FOR ALL OUTLET STRUCTURES AND CLEANOUT FACILITIES. 12" (MIN) CLEARANCE WITHIN OVERFLOW STRUCTURE SHALL BE PROVIDED FOR MAINTENANCE ACCESS.
7. ENGINEER SHALL REFER TO LOCAL JURISDICTION STANDARDS AND/OR ASSESS NEED FOR GRAVEL BASE. ENGINEER SHALL EVALUATE BUOYANCY OF STRUCTURES FOR SITE SPECIFIC APPLICATION AND SPECIFY THICKENED OR EXTENDED BASE / ANTI-FLOATATION COLLAR, AS NECESSARY.
8. SIZE OF GRATE SHALL MATCH SIZE OF RISER SPECIFIED IN PLANS, SHALL BE REMOVABLE TO PROVIDE MAINTENANCE ACCESS, AND SHALL BE BOLTED IN PLACE OR OUTFITTED WITH APPROVED TAMPER-RESISTANT LOCKING MECHANISM. MAXIMUM GRATE OPENING SHALL BE 2".
9. IF INTERIOR DEPTH OF OVERFLOW STRUCTURE EXCEEDS 5', A PERMANENT BOLTED LADDER AND MINIMUM CLEAR SPACE OF 30" BY 30" SHALL BE PROVIDED FOR MAINTENANCE ACCESS.
10. MINIMUM DIAMETER OF OPTIONAL GROUTED COBBLES SHALL BE LARGER THAN MAXIMUM GRATE OPENING.
11. GROUT ALL PENETRATIONS, CRACKS, SEAMS, AND JOINTS WITH CLASS "C" MORTAR.



NOT FOR CONSTRUCTION

BIORETENTION COMPONENTS: OUTLET DETAIL



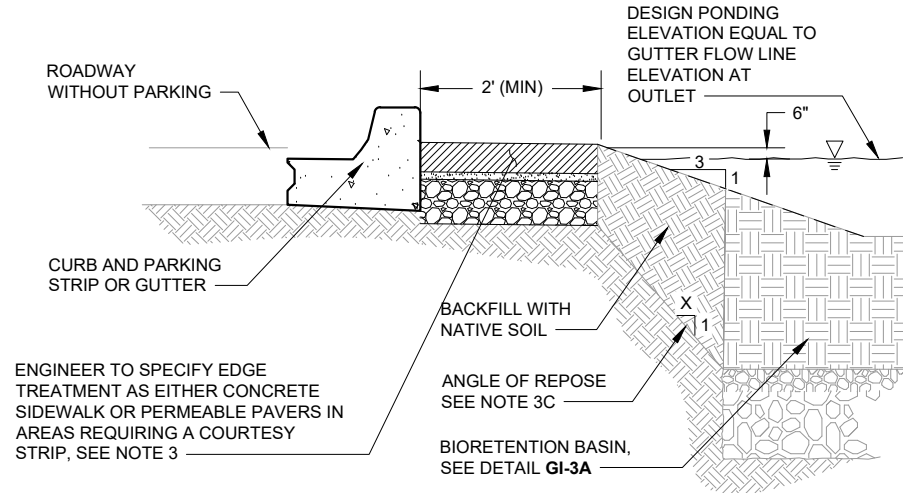
**GREEN INFRASTRUCTURE
EXAMPLE DETAILS**
ALAMEDA COUNTYWIDE CLEAN
WATER PROGRAM

SCALE: NOT TO SCALE
DATE: MAY 11, 2018 REVISED: JUNE 11, 2019
DRAWN BY: K. K. REVISED BY: E. F.
CHECKED BY: A. R.

GI-4

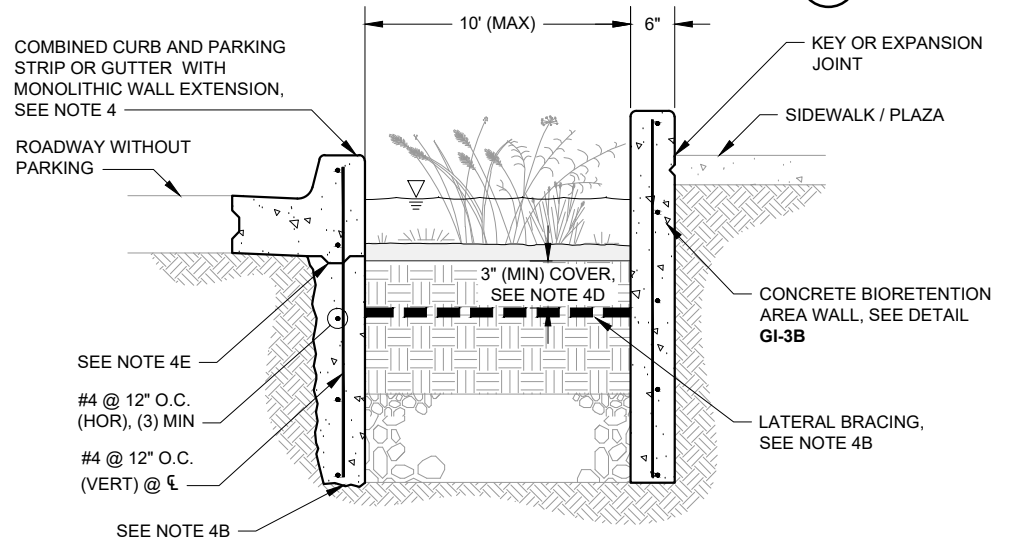
NOTES:

1. REFER TO GI-1 NOTES FOR GUIDELINES AND CHECKLIST.
2. THE ENGINEER SHALL ADAPT EDGE TREATMENT DESIGN TO ADDRESS SITE SPECIFIC CONSTRAINTS TO EFFECTIVELY STABILIZE ADJACENT PAVEMENT AND MINIMIZE LATERAL MOVEMENT OF WATER.
3. STANDARD CURB EDGE (WHEN SPACE AVAILABLE):
 - A. REFER TO LOCAL JURISDICTION STANDARDS FOR CURB AND SIDEWALK DETAILS.
 - B. ANGLE OF REPOSE VARIES PER GEOTECHNICAL ENGINEERS RECOMMENDATIONS.
4. VERTICAL SIDE WALLS (WHEN SPACE LIMITED):
 - A. ALL BIORETENTION AREA WALLS SHALL EXTEND TO BOTTOM OF AGGREGATE STORAGE LAYER OR DEEPER. MINIMUM DEPTHS SHALL BE DESIGNED TO PREVENT LATERAL SEEPAGE INTO THE ADJACENT PAVEMENT SECTION.
 - B. FOOTING AND/OR LATERAL BRACING SHALL BE DESIGNED BY THE ENGINEER TO WITHSTAND ANTICIPATED LOADING ASSUMING NO REACTIVE FORCES FROM THE UNCOMPACTED BIOTREATMENT SOIL.
 - C. BIORETENTION AREA WALLS EXTENDING MORE THAN 36" BELOW ADJACENT LOAD-BEARING SURFACE, OR WHEN LOCATED ADJACENT TO PAVERS, SHALL HAVE FOOTING OR LATERAL BRACING. FOOTING OR LATERAL BRACING MAY BE EXCLUDED ONLY IF THE ENGINEER DEMONSTRATES THAT THE PROPOSED WALL DESIGN MEETS LOADING REQUIREMENTS. WALL SHALL NOT ENCRANCH INTO TREATMENT AREA.
 - D. CONTRACTOR TO PROVIDE 3" MINIMUM COVER OVER ALL LATERAL BRACING FOR PLANT ESTABLISHMENT.
 - E. ALL CONSTRUCTION COLD JOINTS SHALL INCORPORATE EPOXY, DOWEL/TIE BAR, KEYWAY, OR WATER STOP.



STANDARD CURB EDGE AT BIORETENTION BASIN

1



EXTENDED BIORETENTION AREA WALL WITH LATERAL BRACING

2

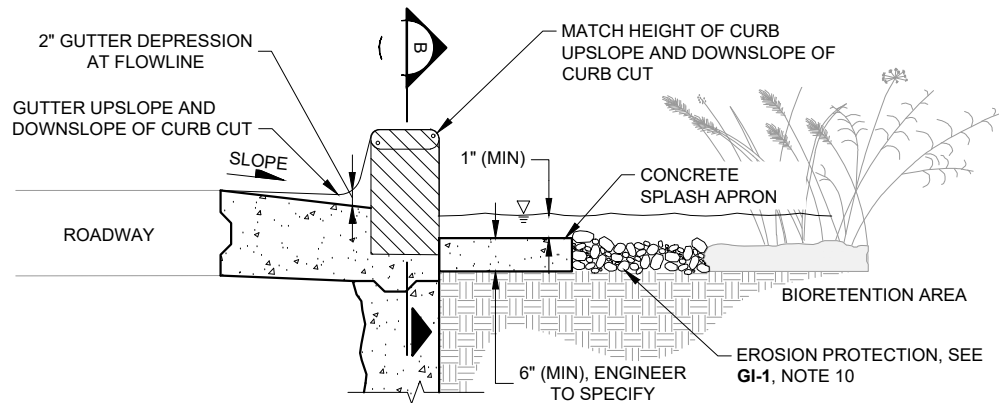
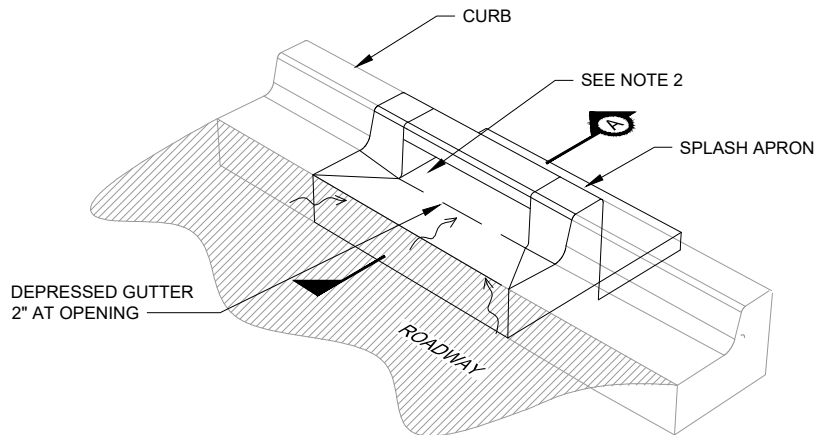
NOT FOR CONSTRUCTION



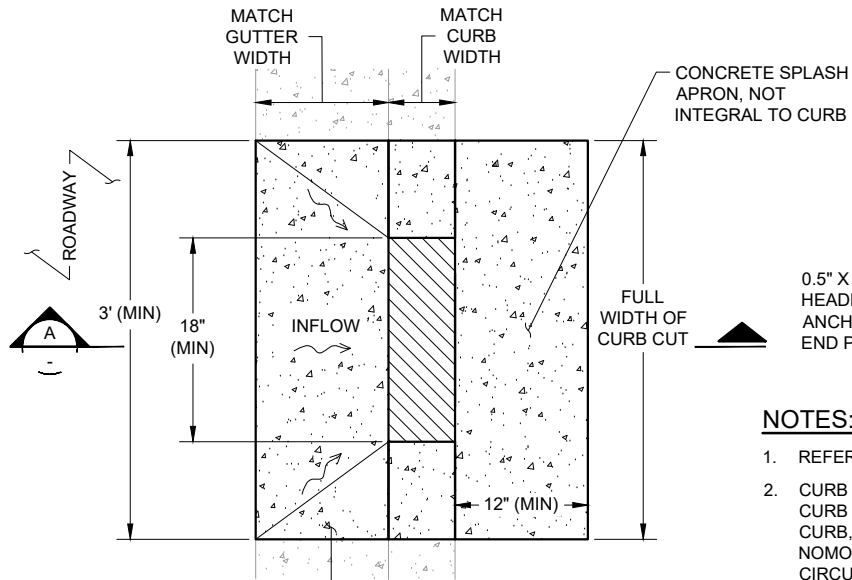
GREEN INFRASTRUCTURE
EXAMPLE DETAILS
ALAMEDA COUNTYWIDE CLEAN
WATER PROGRAM

SCALE: NOT TO SCALE
DATE: MAY 11, 2018 REVISED: JUNE 11, 2019
DRAWN BY: K. K. REVISED BY: E. F.
CHECKED BY: A. R.

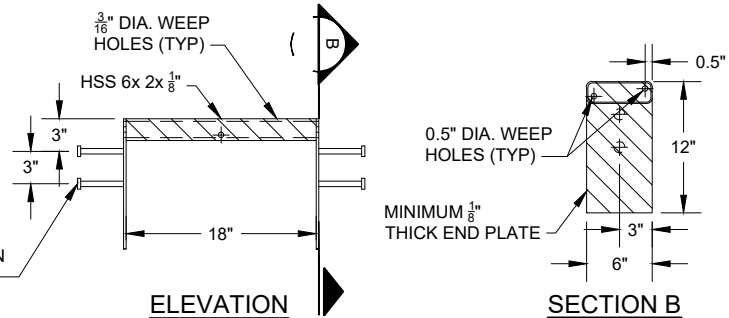
GI-5



ISOMETRIC



METAL INLET ASSEMBLY



NOTES:

1. REFER TO GI-1 NOTES FOR GUIDELINES AND CHECKLIST.
2. CURB CUT INLETS SHALL BE ADEQUATELY SIZED, SPACED, AND SLOPED TO MEET HYDRAULIC REQUIREMENTS. THE CURB CUT OPENING WIDTH SHALL BE SIZED BASED ON THE CATCHMENT AREA, LONGITUDINAL SLOPE ALONG THE CURB, AND THE CROSS SLOPE OF THE GUTTER OR ADJACENT PAVEMENT AT THE INLET. SEE SIZING EQUATIONS AND NOMOGRAPHS FOR CURB OPENING INLETS IN THE U.S. DEPARTMENT OF TRANSPORTATION HYDRAULIC ENGINEERING CIRCULAR NO. 27.
3. BOND NEW CURB AND GUTTER TO EXISTING CURB AND GUTTER WITH EPOXY AND DOWEL CONNECTION.
4. METAL INLET ASSEMBLY SHALL BE HOT-DIP GALVANIZED IN ACCORDANCE WITH ASTM A-123.

TAPER GUTTER AT CURB CUT TO MATCH GUTTER SLOPE UPSLOPE AND DOWNSLOPE OF CURB CUT.

PLAN

NOT FOR CONSTRUCTION

BIORETENTION COMPONENTS: GUTTER CURB CUT INLET DETAIL



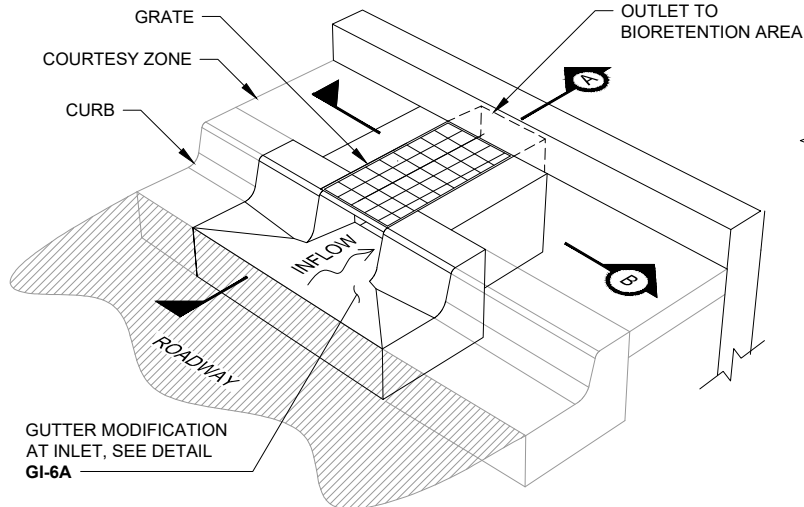
GREEN INFRASTRUCTURE
EXAMPLE DETAILS
ALAMEDA COUNTYWIDE CLEAN
WATER PROGRAM

SCALE: NOT TO SCALE	
DATE: MAY 11, 2018	REVISED: JUNE 11, 2019
DRAWN BY: K. K.	REVISED BY: E. F.
CHECKED BY: A. R.	

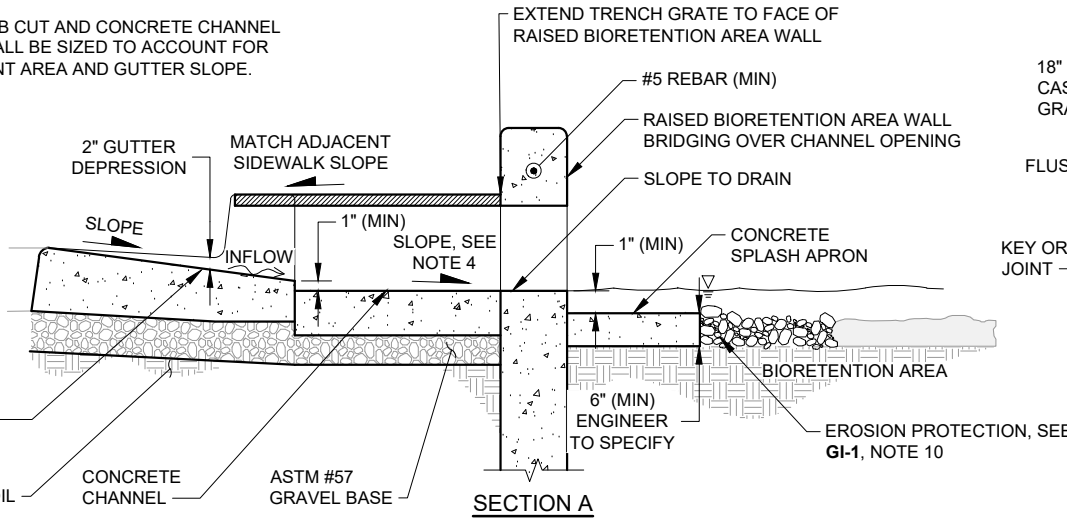
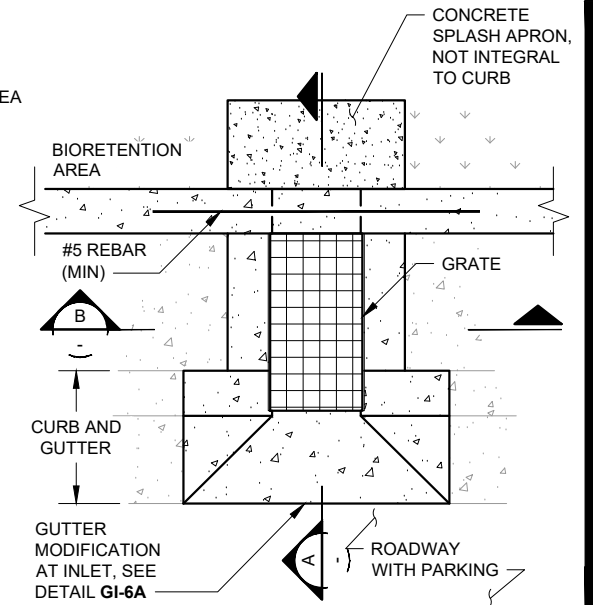
GI-6A

NOTES:

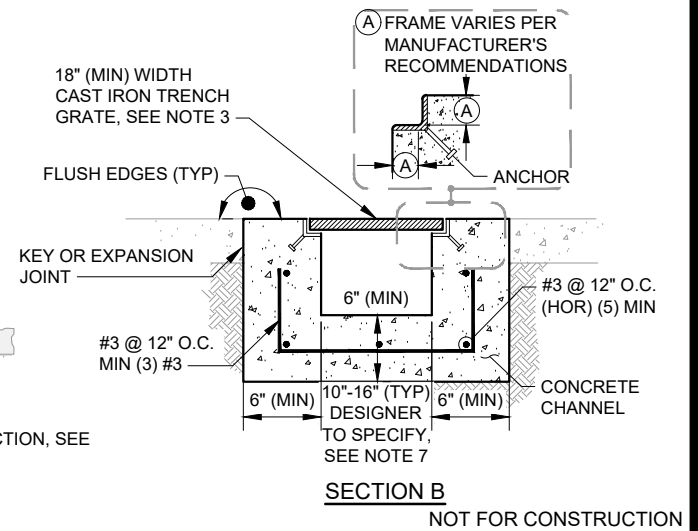
1. REFER TO GI-1 NOTES FOR GUIDELINES AND CHECKLIST.
2. ALL MATERIAL AND WORKMANSHIP FOR TRENCH DRAIN ASSEMBLY SHALL CONFORM TO LOCAL JURISDICTION STANDARDS.
3. TRENCH DRAIN INLETS SHALL BE ADEQUATELY SIZED, SPACED, AND SLOPED TO MEET HYDRAULIC REQUIREMENTS. SEE NOTE 2 DETAIL GI-6A FOR REFERENCE.
4. SLOPE TO PROVIDE AT LEAST 1" DROP OVER LENGTH OF CHANNEL OR A MINIMUM OF 2%, WHICHEVER IS LARGER.
5. ALL TRENCH GRATES SHALL BE REMOVABLE, RATED PER THE ANTICIPATED LOADING, AND BOLTED IN PLACE OR OUTFITTED WITH APPROVED TAMPER-RESISTANT LOCKING MECHANISM, FLUSH OR RECESSED IN GRATE.
6. BOND NEW CURB AND GUTTER TO EXISTING CURB AND GUTTER WITH EPOXY AND DOWEL CONNECTION.
7. HORIZONTAL CONTROL JOINTS SHALL BE PROVIDED EVERY 10' (LINEAR), OR PER MANUFACTURER'S RECOMMENDATIONS.
8. APPLY EPOXY BONDING AGENT AT ALL TRENCH DRAIN CONSTRUCTION COLD JOINTS.
9. INLET CURB CUT AND CONCRETE CHANNEL WIDTH SHALL BE SIZED TO ACCOUNT FOR CATCHMENT AREA AND GUTTER SLOPE.



ISOMETRIC



SECTION A



SECTION B

NOT FOR CONSTRUCTION

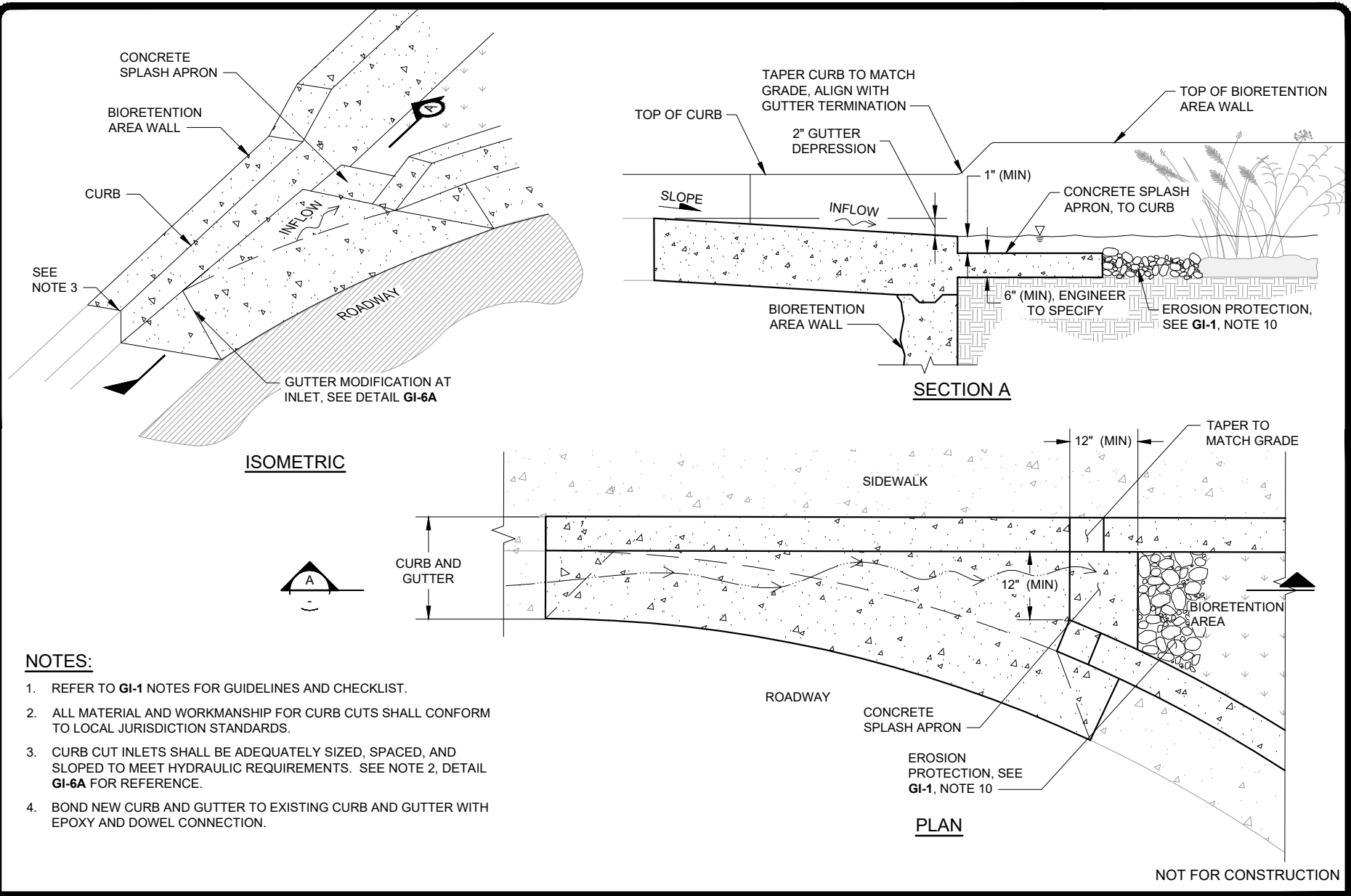
BIORETENTION COMPONENTS: TRENCH DRAIN CURB CUT INLET DETAIL



**GREEN INFRASTRUCTURE
EXAMPLE DETAILS**
ALAMEDA COUNTYWIDE CLEAN
WATER PROGRAM

SCALE: NOT TO SCALE
DATE: MAY 11, 2018 REVISED: JUNE 11, 2019
DRAWN BY: K. K. REVISED BY: E.F.
CHECKED BY: A. R.

GI-6B



NOTES:

1. REFER TO GI-1 NOTES FOR GUIDELINES AND CHECKLIST.
2. ALL MATERIAL AND WORKMANSHIP FOR CURB CUTS SHALL CONFORM TO LOCAL JURISDICTION STANDARDS.
3. CURB CUT INLETS SHALL BE ADEQUATELY SIZED, SPACED, AND SLOPED TO MEET HYDRAULIC REQUIREMENTS. SEE NOTE 2, DETAIL GI-6A FOR REFERENCE.
4. BOND NEW CURB AND GUTTER TO EXISTING CURB AND GUTTER WITH EPOXY AND DOWEL CONNECTION.

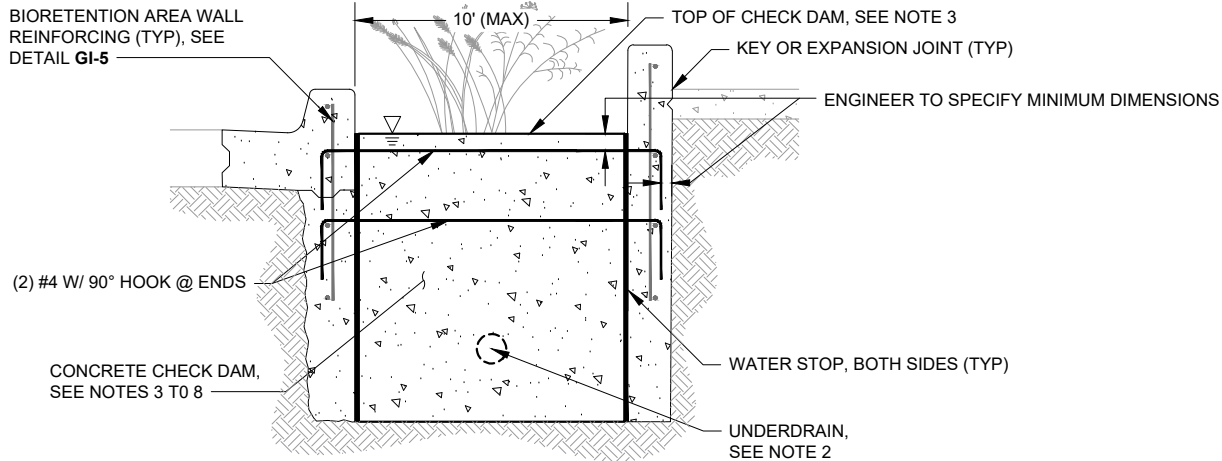
BIORETENTION COMPONENTS: CURB CUT AT BULBOUT INLET DETAIL



GREEN INFRASTRUCTURE
 EXAMPLE DETAILS
 ALAMEDA COUNTYWIDE CLEAN
 WATER PROGRAM

SCALE: NOT TO SCALE	
DATE: MAY 11, 2018	REVISED: JUNE 11, 2019
DRAWN BY: K. K.	REVISED BY: E. F.
CHECKED BY: A. R.	

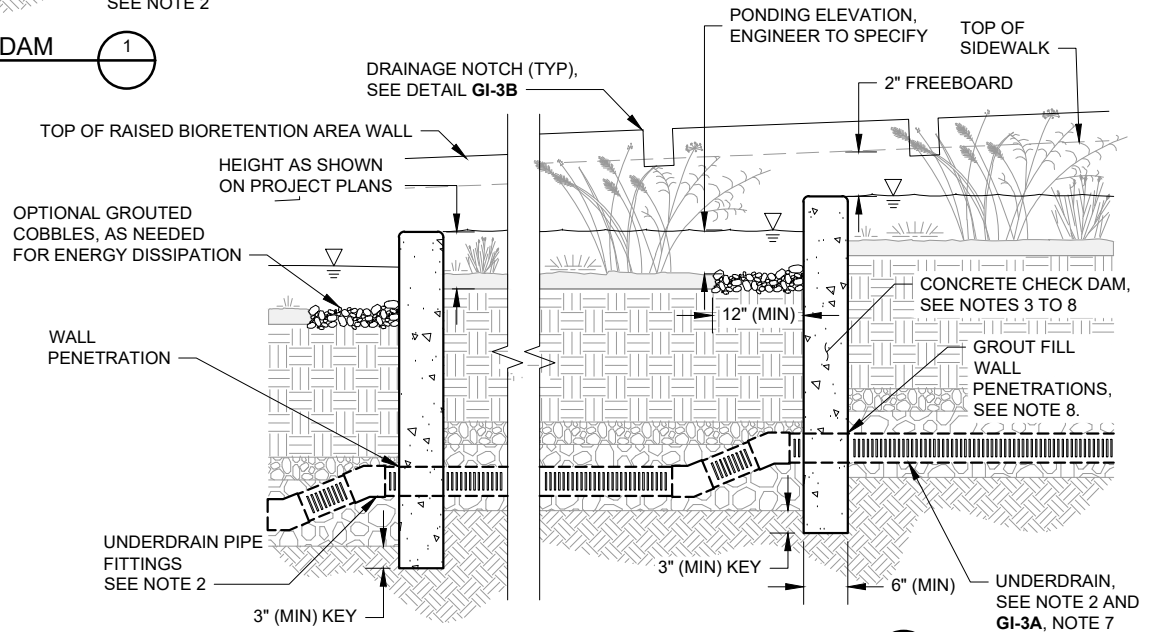
GI-6C



SECTION - CONCRETE CHECK DAM (1)

NOTES:

1. REFER TO GI-1 NOTES FOR GUIDELINES AND CHECKLIST.
2. UNDERDRAIN TO PASS THROUGH CHECK DAM IN NON-PERFORATED PIPE. PIPE FITTINGS SHALL BE USED TO ACCOMMODATE CHANGES IN GRADE, AS NEEDED.
3. HEIGHT AND SPACING OF CHECK DAMS SHALL BE ESTABLISHED BASED ON THE PONDING DEPTH REQUIRED TO MEET PROJECT HYDROLOGIC PERFORMANCE GOALS AND THE MAXIMUM DESIRED DROP FROM THE SURROUNDING GRADE TO THE FACILITY BOTTOM.
4. ALL MATERIAL AND WORKMANSHIP FOR CHECK DAM ASSEMBLY SHALL CONFORM TO LOCAL JURISDICTION STANDARD SPECIFICATIONS.
5. CONCRETE CHECK DAM SHALL BE CONTINUOUS (NO JOINTS) AND REINFORCED WITH #4 BAR, PLACED AT 18" ON CENTER, EACH WAY.
6. CONCRETE CHECK DAM SHALL BE DESIGNED BY THE ENGINEER AND MEET STRUCTURAL REQUIREMENTS FOR LATERAL BRACING WHEN USED AS LATERAL BRACING.
7. TOP OF CHECK DAM TO BE LEVEL WITH CREST ELEVATION MATCHING PONDING ELEVATION UNLESS NOTCH SIZED TO CONVEY DESIGN FLOWS PROVIDED.
8. GROUT ALL PENETRATIONS, CRACKS, SEAMS, AND JOINTS WITH CLASS "C" MORTAR.



PROFILE - CONCRETE CHECK DAM (2)

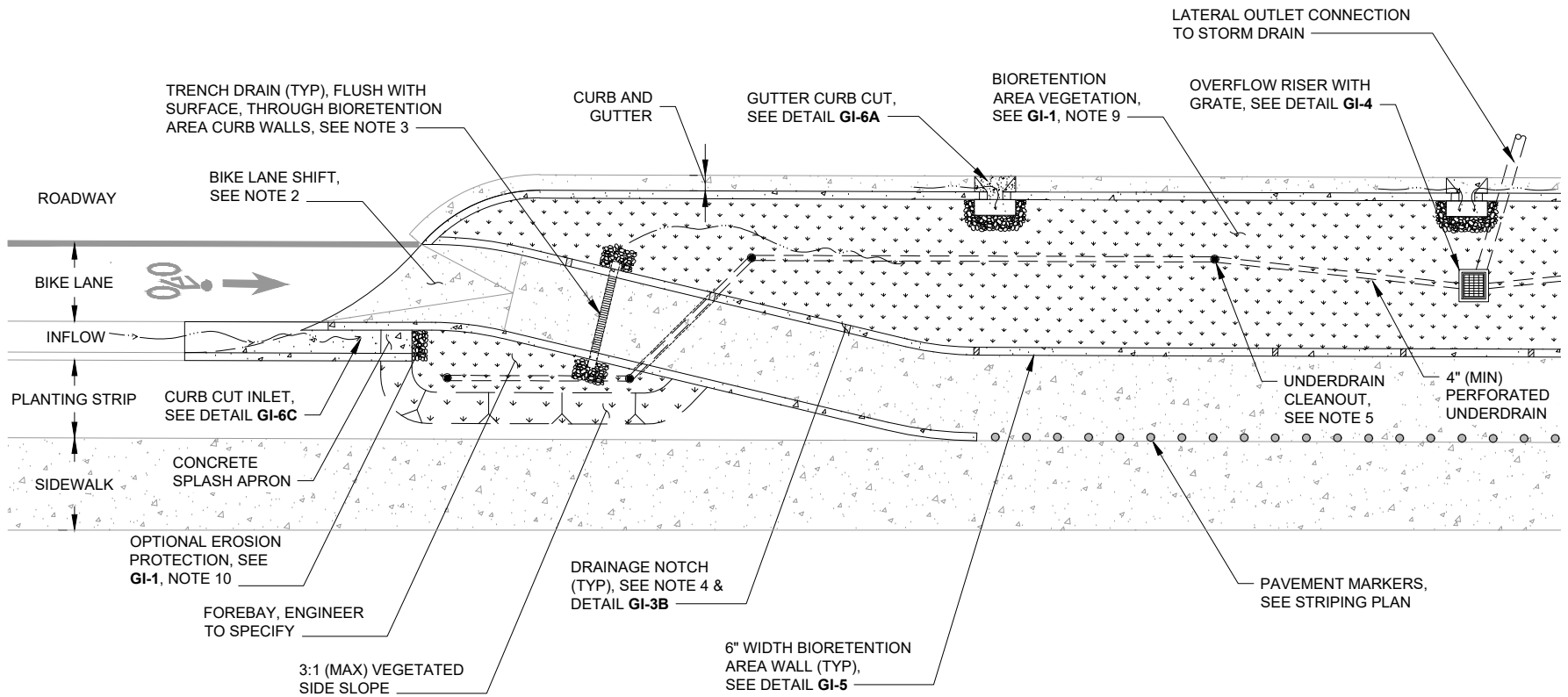
NOT FOR CONSTRUCTION

BIORETENTION COMPONENTS: CHECK DAM DETAIL

GREEN INFRASTRUCTURE
EXAMPLE DETAILS
ALAMEDA COUNTYWIDE CLEAN
WATER PROGRAM

SCALE: NOT TO SCALE
DATE: MAY 11, 2018 REVISED: JUNE 11, 2019
DRAWN BY: K. K. REVISED BY: E. F.
CHECKED BY: A. R.

GI-7



NOTES:

1. REFER TO GI-1 NOTES FOR GUIDELINES AND CHECKLIST.
2. RAMP BIKE LANE UP ONTO BULBOUT AND SHIFT LANE OVER. MAXIMUM 1:5 HORIZONTAL TRANSITION RATE. TRANSITION GEOMETRY SHALL CONFORM TO LOCAL JURISDICTION STANDARDS.
3. HYDRAULIC CONNECTION OF SEPARATED BIORETENTION AREAS PROVIDED BY TRENCH DRAINS. ENGINEER TO SPECIFY, FOLLOWING FLOW AND STRUCTURAL REQUIREMENTS.
4. LAY OUT DRAINAGE NOTCHES AS APPLICABLE TO PREVENT PONDING BEHIND BIORETENTION AREA WALL WITH 5' MAXIMUM SPACING BETWEEN NOTCHES.
5. PROVIDE ONE UNDERDRAIN CLEANOUT PER BIORETENTION AREA (MIN). CLEANOUT REQUIRED AT UPSTREAM END AND PIPE ANGLE POINTS EXCEEDING 45 DEGREES. LONGITUDINAL SLOPE OF PIPE SHALL BE 0.5% (MIN). PIPE SLEEVES REQUIRED FOR UNDERDRAINS TRANSITIONING BETWEEN BIORETENTION AREAS.
6. DRAWING GI-XX MODIFIED FROM THE BASMAA URBAN GREENING BAY AREA TYPICAL GI DETAILS FIGURE C-1.4.

NOT FOR CONSTRUCTION

BIORETENTION AREA: WITH BIKE LANE PLAN VIEW



**GREEN INFRASTRUCTURE
EXAMPLE DETAILS**
ALAMEDA COUNTYWIDE CLEAN
WATER PROGRAM

SCALE: NOT TO SCALE
DATE: MAY 11, 2018 REVISED: JUNE 11, 2019
DRAWN BY: K. K. REVISED BY: E. F.
CHECKED BY: A. R.

GI-8