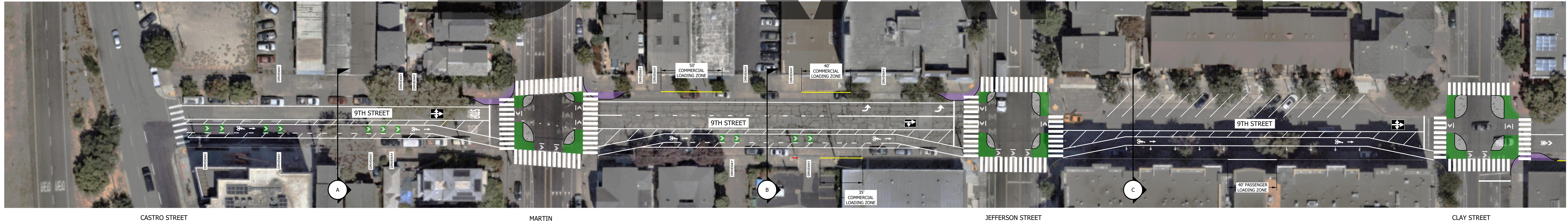
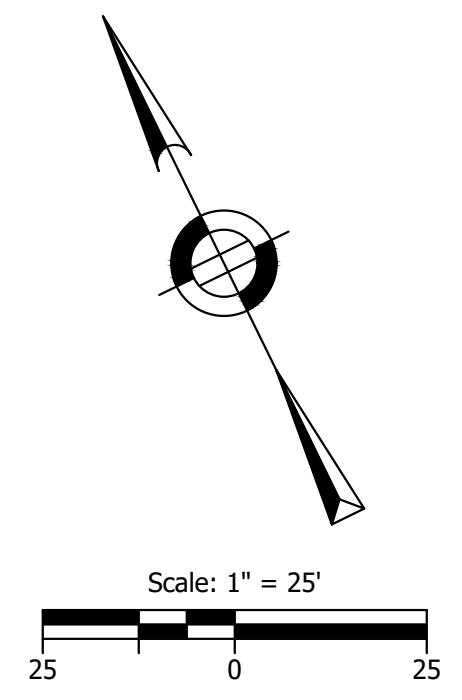


DRAFT

- LEGEND**
- EXPANDED PEDESTRIAN SPACE
 - PAINTED CURB EXTENSION
 - RAISED CURB ISLAND/SIDEWALK EXTENSION

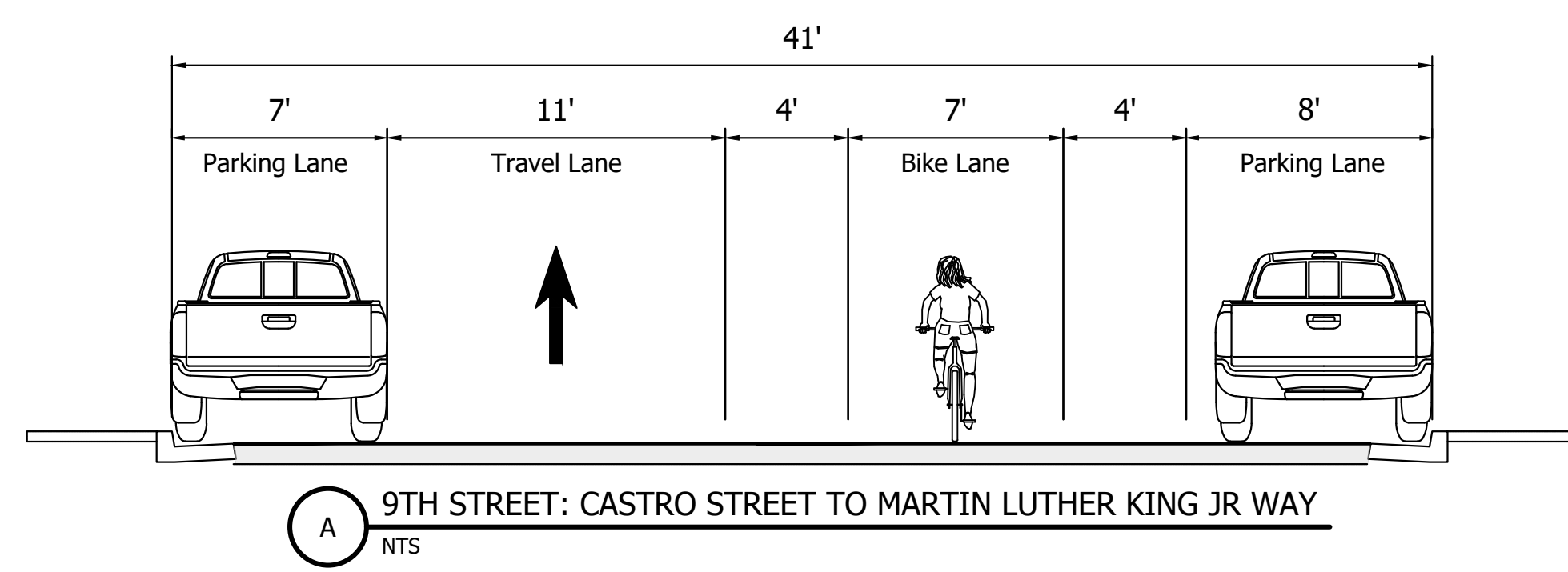


CASTRO STREET

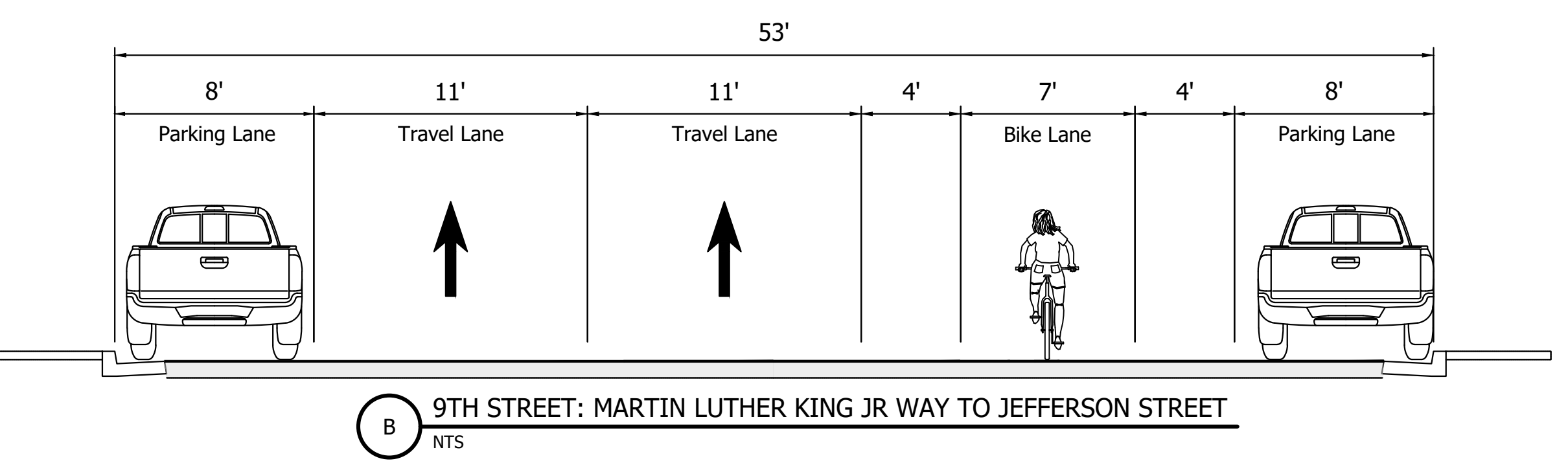
MARTIN LUTHER KING JR WAY

JEFFERSON STREET

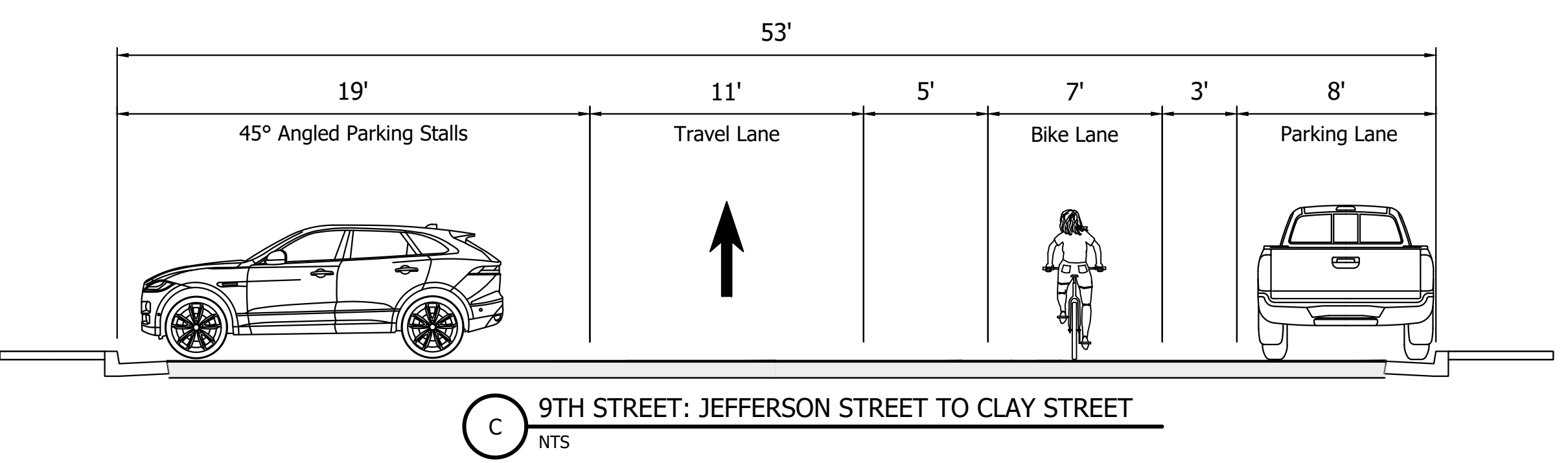
CLAY STREET



A 9TH STREET: CASTRO STREET TO MARTIN LUTHER KING JR WAY
NTS



B 9TH STREET: MARTIN LUTHER KING JR WAY TO JEFFERSON STREET
NTS



C 9TH STREET: JEFFERSON STREET TO CLAY STREET
NTS

PRELIMINARY
NOT FOR
CONSTRUCTION

CITY OF OAKLAND
DEPARTMENT OF TRANSPORTATION
300 PRAIRIE DIKING BLVD, SUITE 4100 - OAKLAND, CA 94612
PH: (510) 231-7377 FAX: (510) 231-7277

KITTELSON & ASSOCIATES
1000 CALIFORNIA STREET, SUITE 900
OAKLAND, CALIFORNIA 94612
PH: (510) 762-7100 FAX: (510) 762-9977

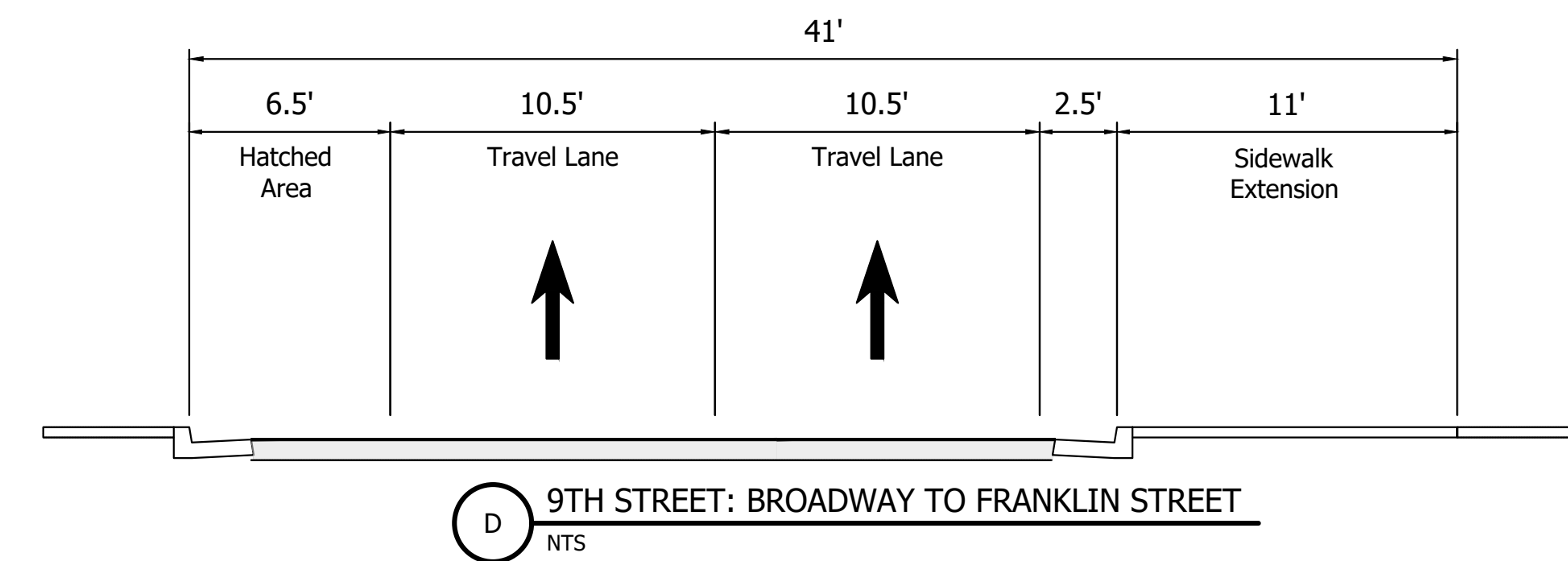
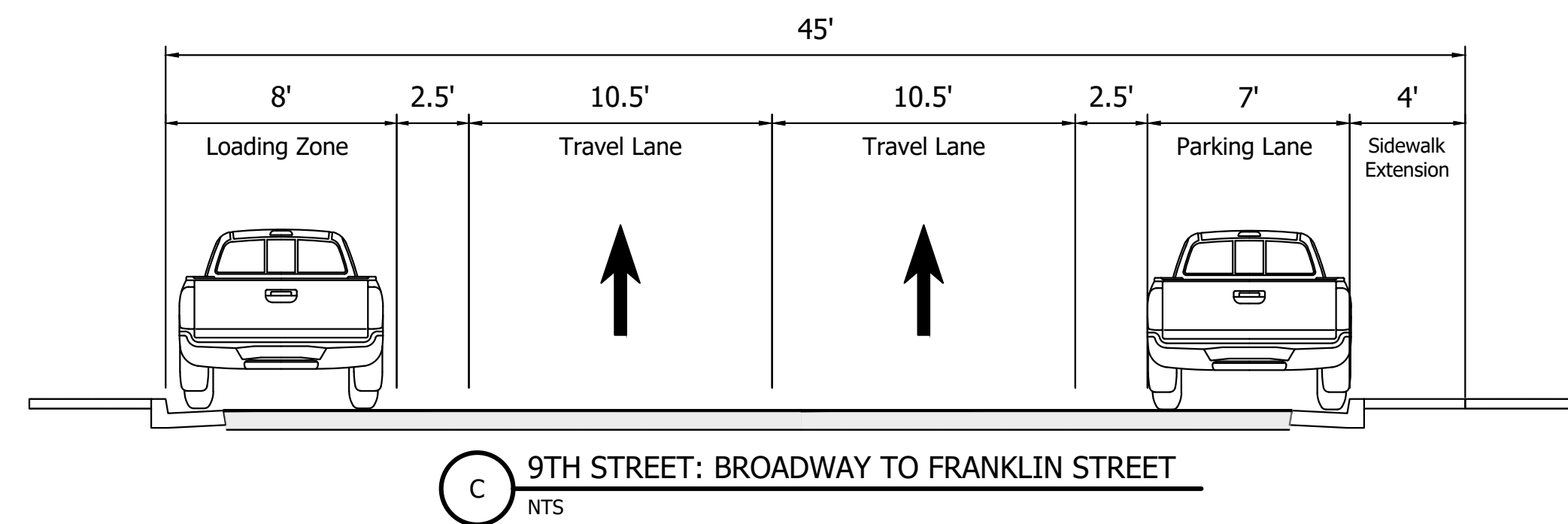
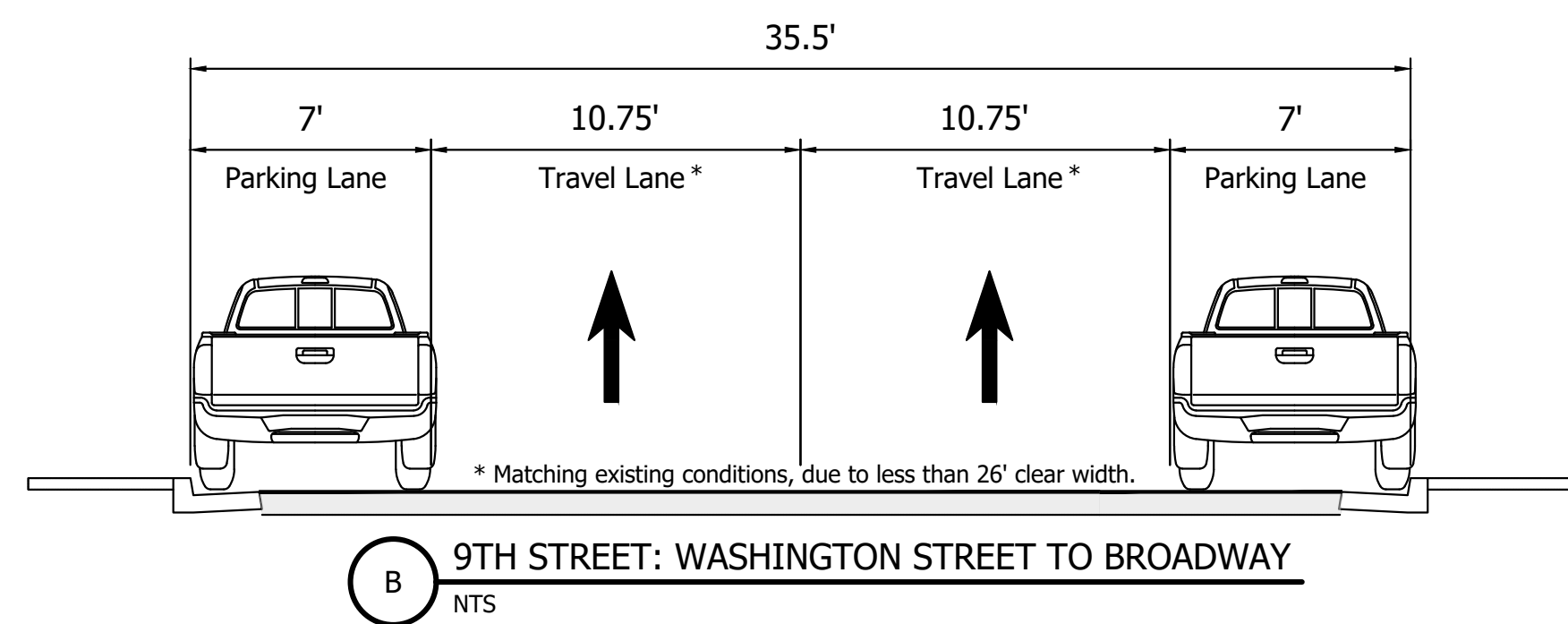
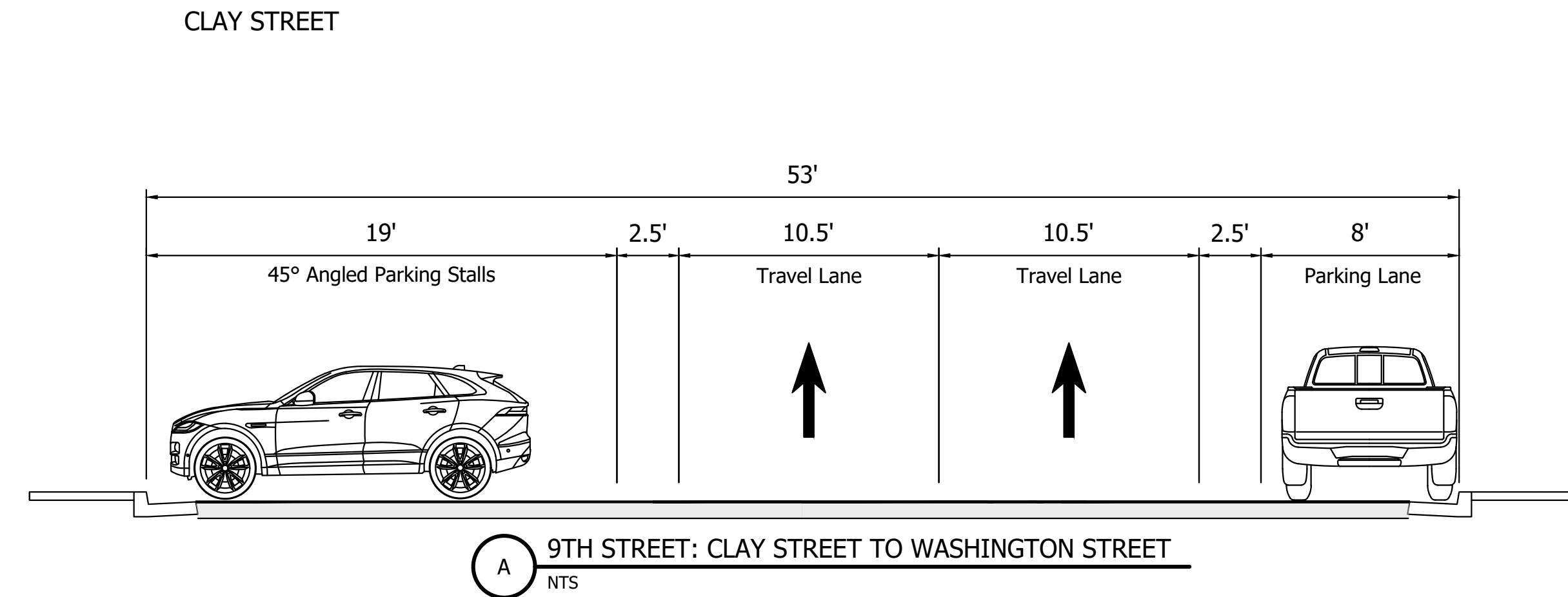
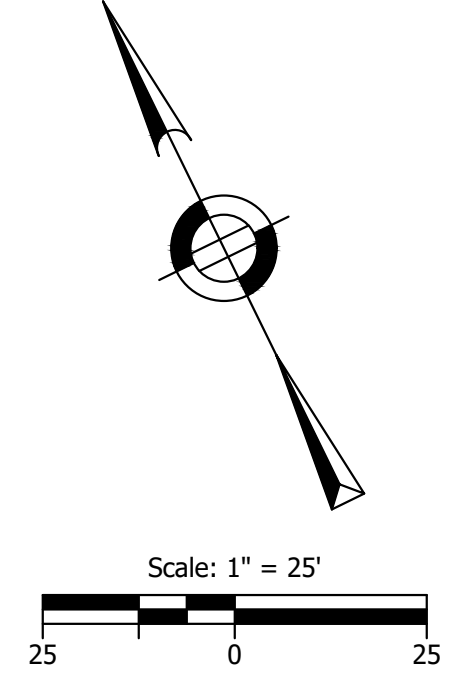
NO.	DATE	REVISION	APPROVED

Submission Date: 12/09/2024
 Drawn: SYL, Designed: MGA, Checked: EEG
 PROJECT NO. 23088.014
CHINATOWN COMPLETE STREETS 15% ROLL PLOT
9TH STREET CORRIDOR
 SHEET NO. RP01

Pdf Stamp: 12/9/2024 3:25:42 PM - Sam Liu
 File: H:\23088 - Oakland Transp Eng and ITS on-call\014 - Chinatown Complete Streets Plan\design_CD\CD-RP-9th-23088-014.dwg

DRAFT

- LEGEND**
- EXPANDED PEDESTRIAN SPACE
 - PAINTED CURB EXTENSION
 - RAISED CURB ISLAND/SIDEWALK EXTENSION



NO.	DATE	REVISION

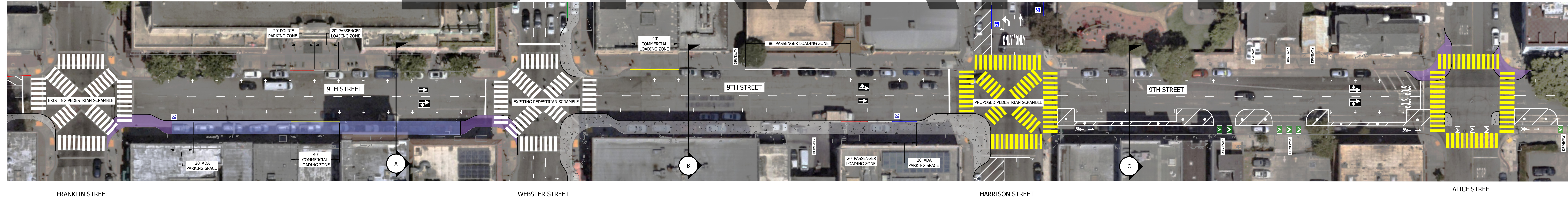
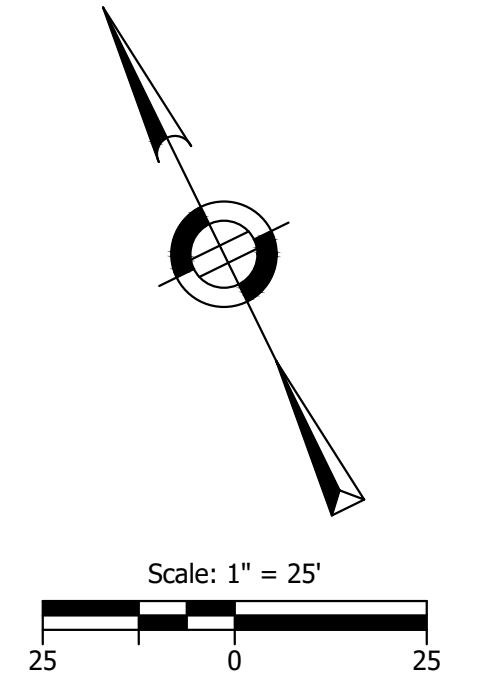
Submission Date:	12/09/2024
Drawn:	SYL
Designed:	MGA
Checked:	EEG

PRELIMINARY
NOT FOR
CONSTRUCTION

Pdf Stamp: 12/9/2024 3:26:25 PM - Sam Liu
 File: H:\23088 - Chinatown Complete Streets Plan\design\CD\CD-RP-9th-23088-014.dwg

DRAFT

- LEGEND**
- EXPANDED PEDESTRIAN SPACE
 - PAINTED CURB EXTENSION
 - RAISED CURB ISLAND/SIDEWALK EXTENSION

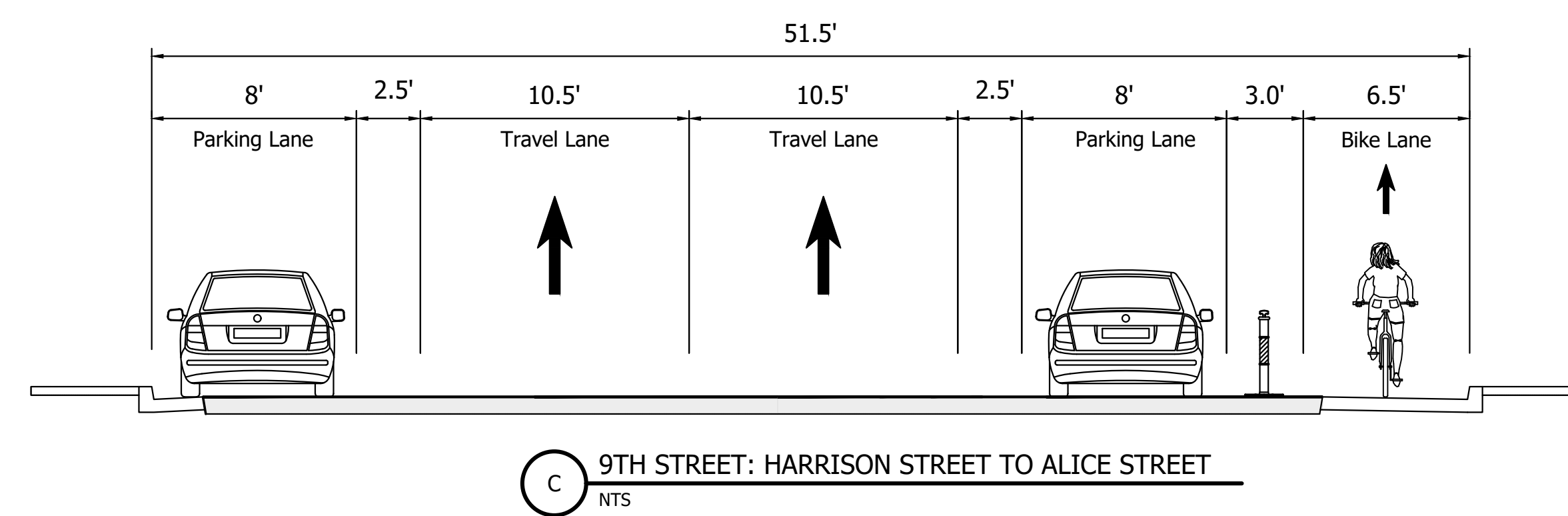
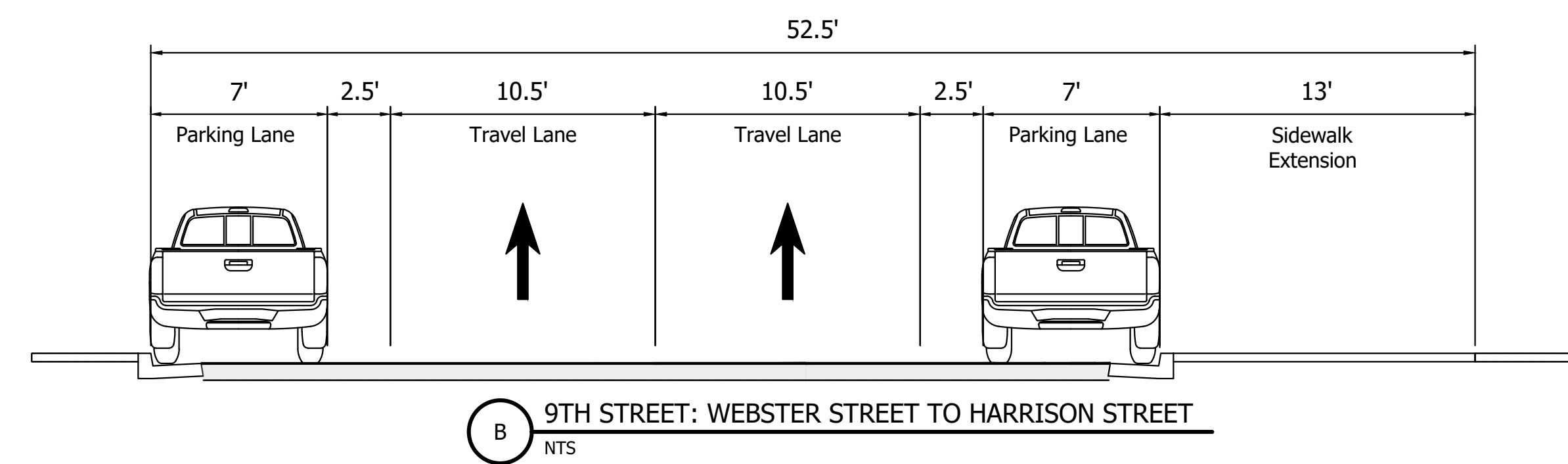
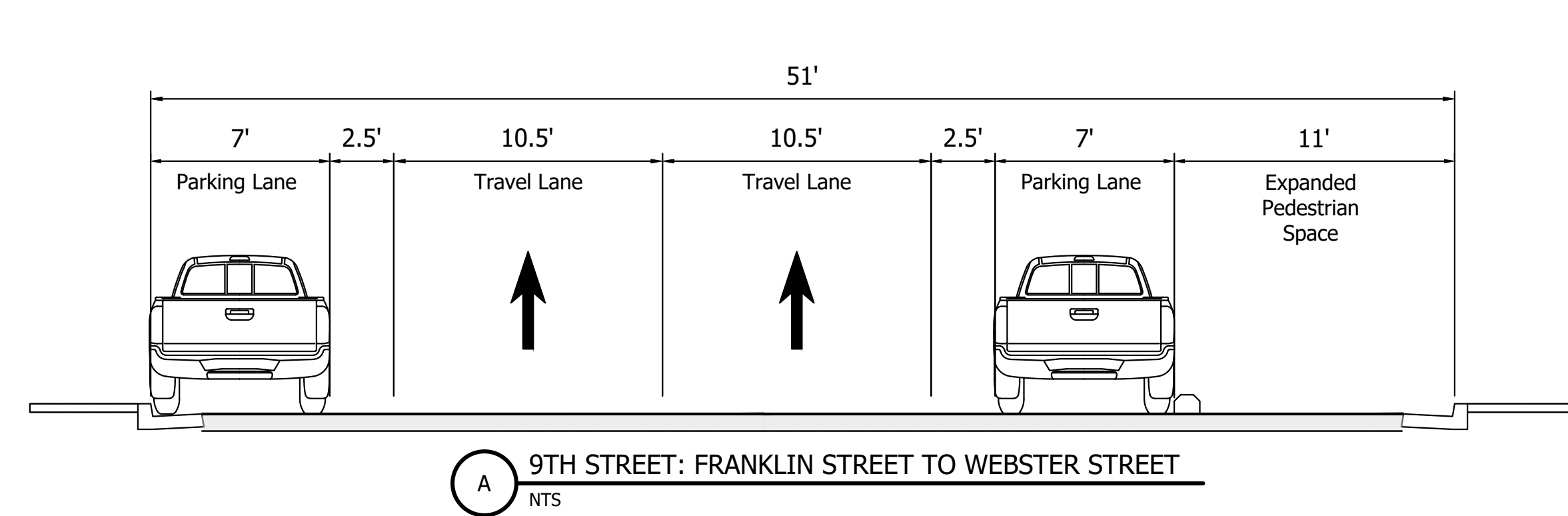


FRANKLIN STREET

WEBSTER STREET

HARRISON STREET

ALICE STREET



PRELIMINARY
NOT FOR
CONSTRUCTION

NO.	DATE	REVISION	APPROVED

Submission Date:	12/09/2024
Drawn:	SYL
Designed:	MGA
Checked:	EEG

PROJECT NO.
23088.014

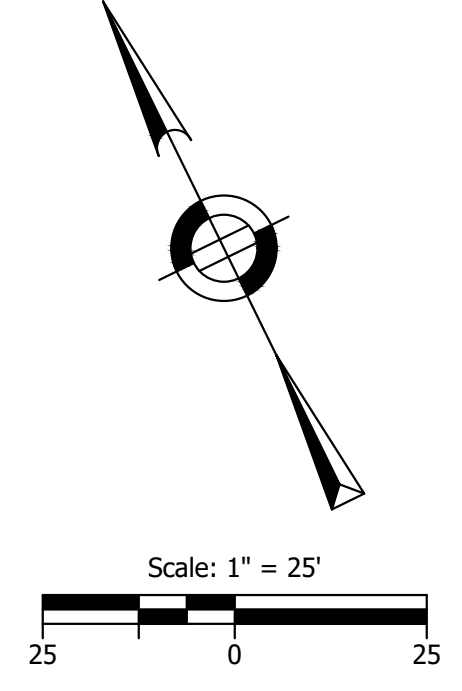
CHINATOWN COMPLETE STREETS
15% ROLL PLOT
9TH STREET CORRIDOR

SHEET NO.
RP03

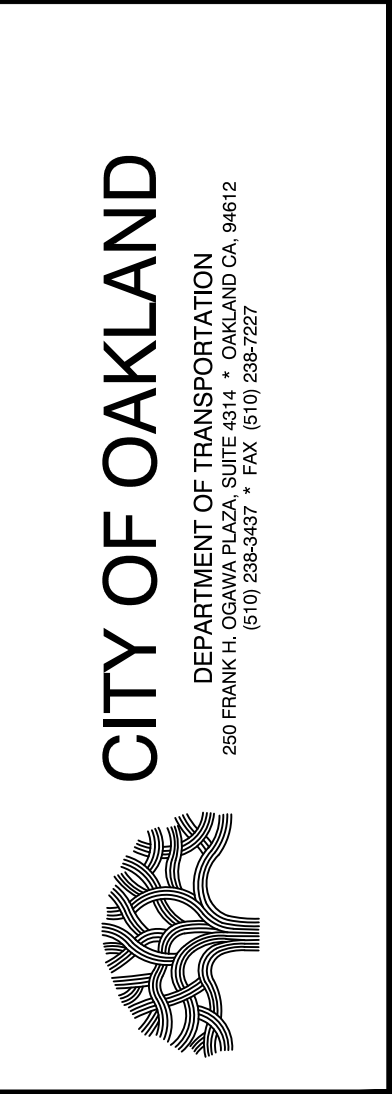
LEGEND

- EXPANDED PEDESTRIAN SPACE
- PAINTED CURB EXTENSION
- RAISED CURB ISLAND/SIDEWALK EXTENSION

DRAFT



PRELIMINARY
NOT FOR
CONSTRUCTION



**KITTELSON
& ASSOCIATES**
1000 CALIFORNIA STREET, SUITE 900
OAKLAND, CALIFORNIA 94612
P 510.832.7100 F 510.832.7101

#	DATE	REVISION	APPD

Submission Date: 12/09/2024
 Drawn: SYL Designed: MGA Checked: EEG

PROJECT NO.
23088.014

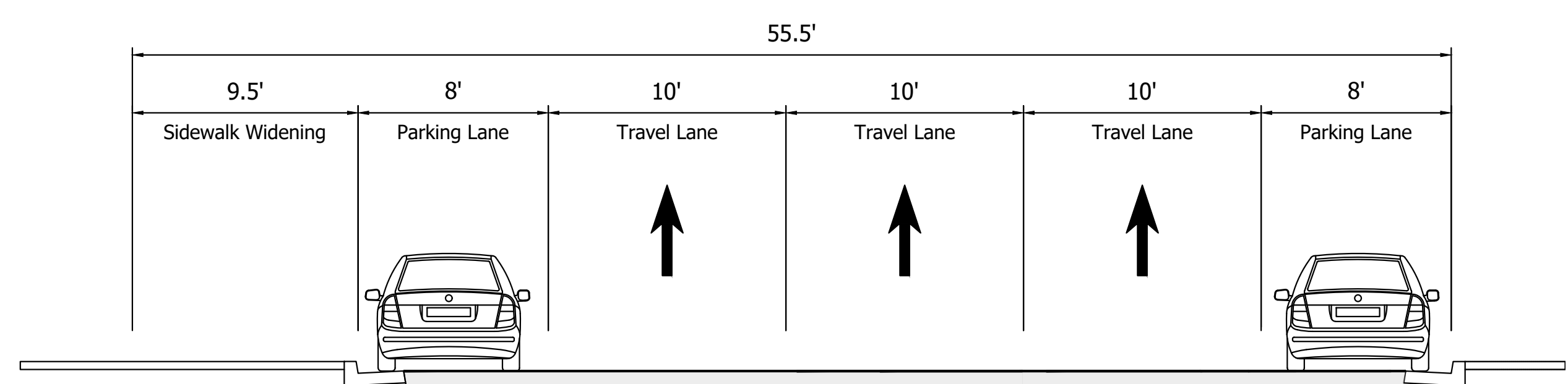
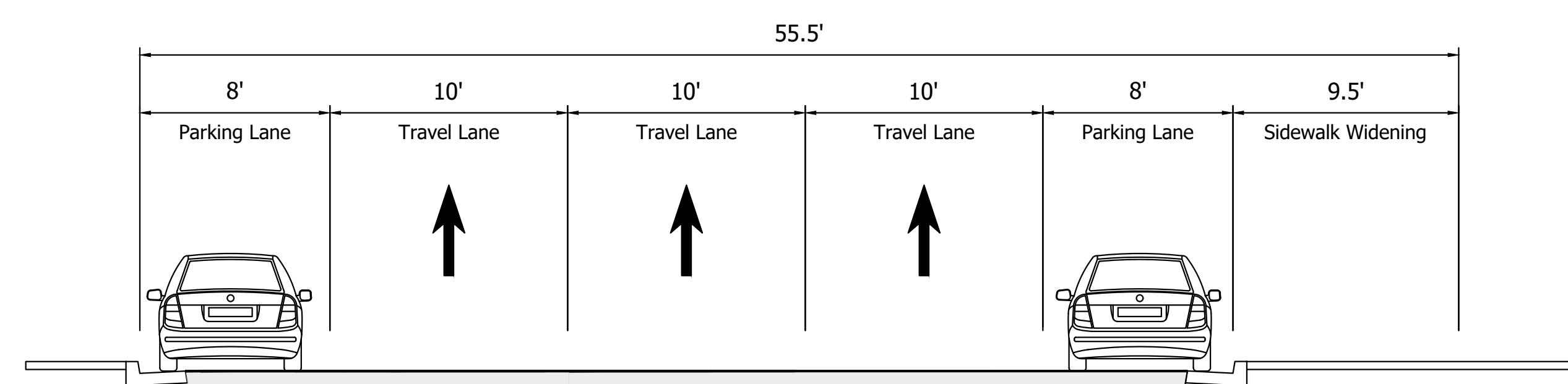
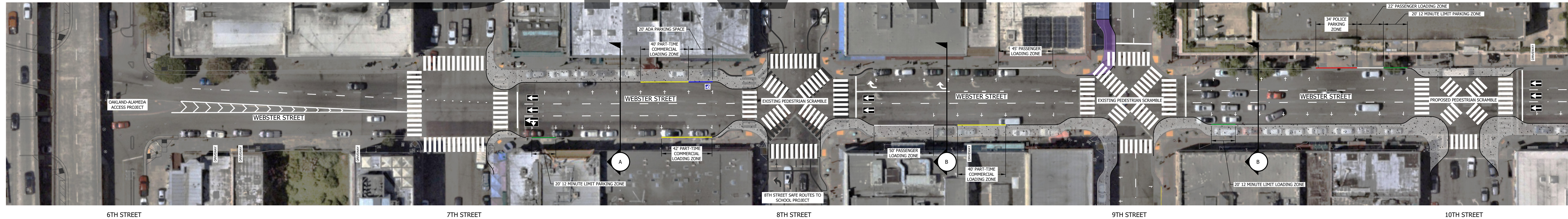
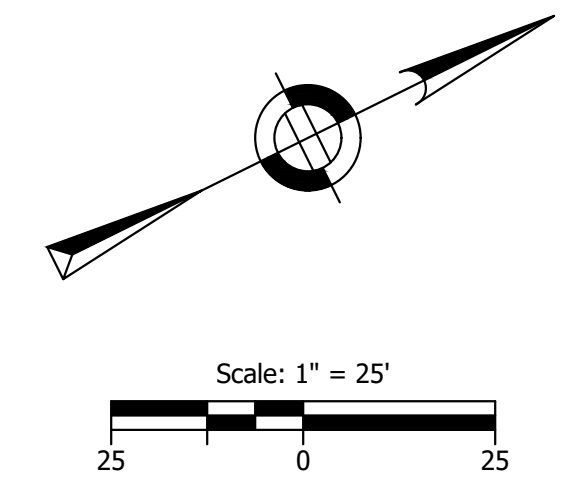
**CHINATOWN COMPLETE STREETS
15% ROLL PLOT**

9TH STREET CORRIDOR

SHEET NO.
RP05

- LEGEND**
- EXPANDED PEDESTRIAN SPACE
 - PAINTED CURB EXTENSION
 - RAISED CURB ISLAND/SIDEWALK EXTENSION

DRAFT



PRELIMINARY
NOT FOR
CONSTRUCTION

CITY OF OAKLAND
DEPARTMENT OF TRANSPORTATION
200 FRANKLIN SQUARE, SUITE 4100 - OAKLAND, CA 94612
PH: (510) 231-7277 FAX: (510) 231-7277




KITTELSON & ASSOCIATES
1000 CALIFORNIA STREET, SUITE 900
OAKLAND, CA 94612
PH: (510) 763-7100 FAX: (510) 763-9091

NO.	DATE	REVISION	APPROVED

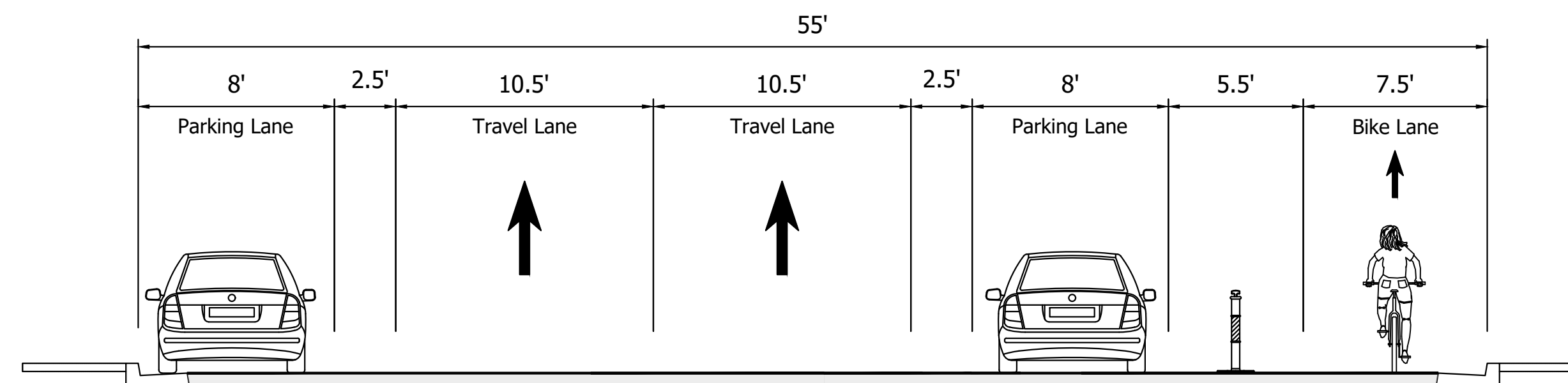
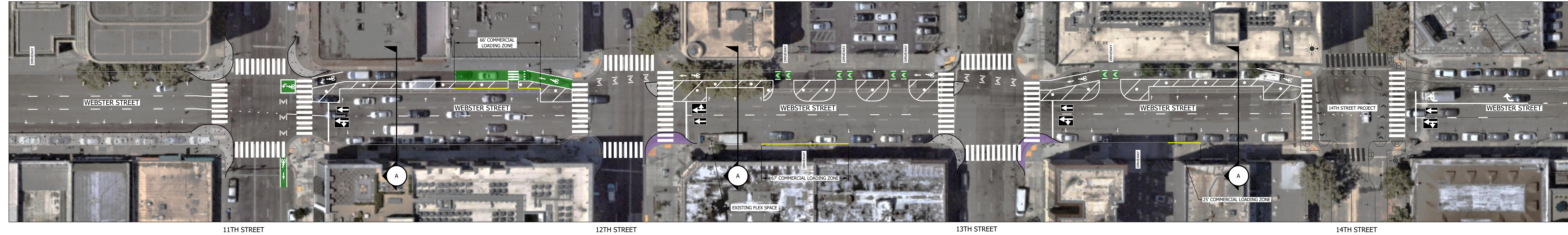
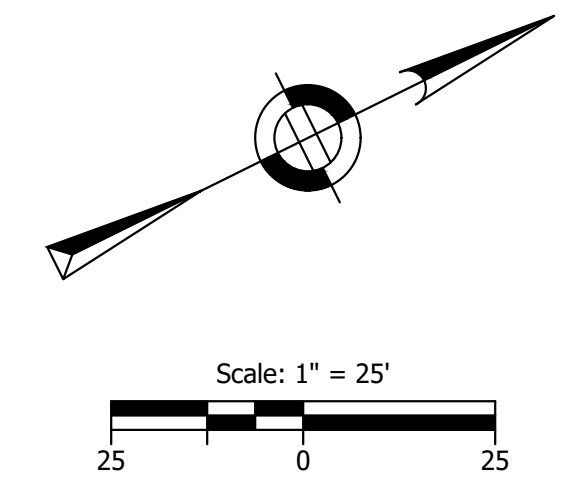
Submission Date: 12/09/2024
Drawn: BZZ, Designed: MGA, Checked: EEG
PROJECT NO. 23088.014
CHINATOWN COMPLETE STREETS 15% ROLL PLOT
WEBSTER STREET CORRIDOR
SHEET NO. RP06

Pdf Stamp: 12/9/2024 3:19:38 PM - Jordan Dawson
 File: H:\23088 - Oakland Transp Eng and ITS ch-cali\014 - Chinatown Complete Streets Plan\design\CD-CD-RP-WEB-23088-014.dwg

LEGEND

-  EXPANDED PEDESTRIAN SPACE
-  PAINTED CURB EXTENSION
-  RAISED CURB ISLAND/SIDEWALK EXTENSION

DRAFT



A WEBSTER STREET: 11TH STREET TO 14TH STREET
NTS

CITY OF OAKLAND
DEPARTMENT OF TRANSPORTATION
200 FRANKLIN SQUARE, SUITE 4100 - OAKLAND, CA 94612
(510) 231-2277 • FAX: (510) 231-2277

KITTELSON & ASSOCIATES
1000 SHAWAN BLVD SUITE 100
OAKLAND, CA 94612
P: 510.882.1702 F: 510.882.0871

NO.	DATE	REVISION	APPROVED

Submission Date: 12/09/2024
 Drawn: BZZ, Designed: MGA, Checked: EEG

PROJECT NO. 23088.014

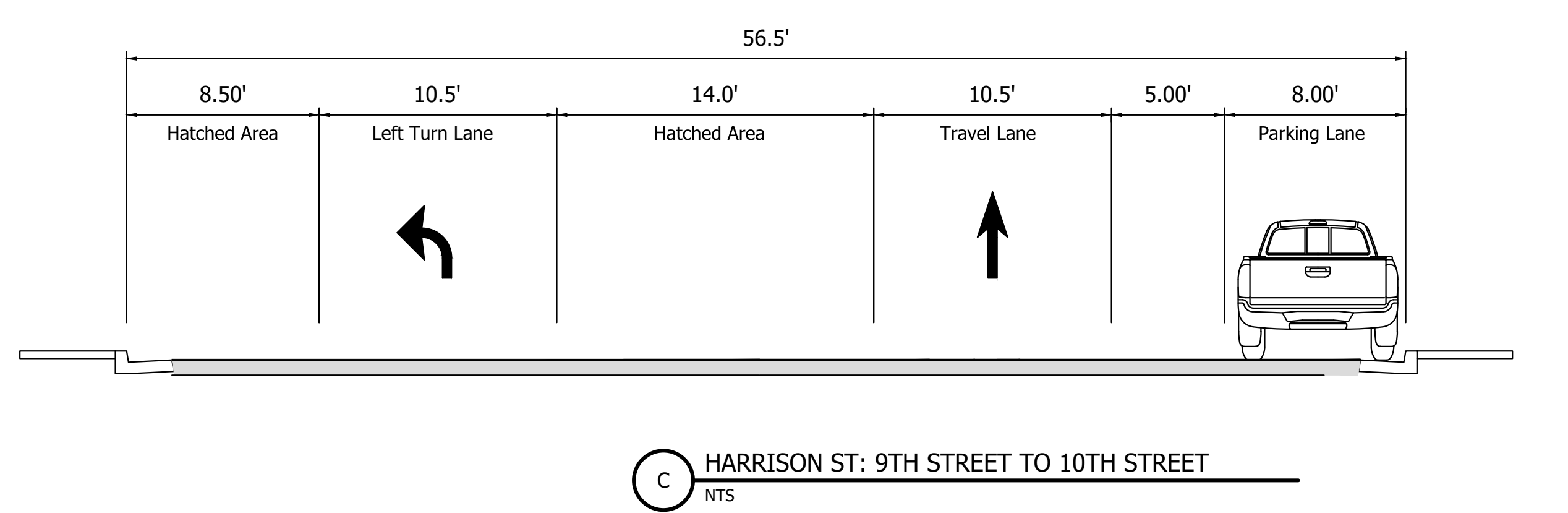
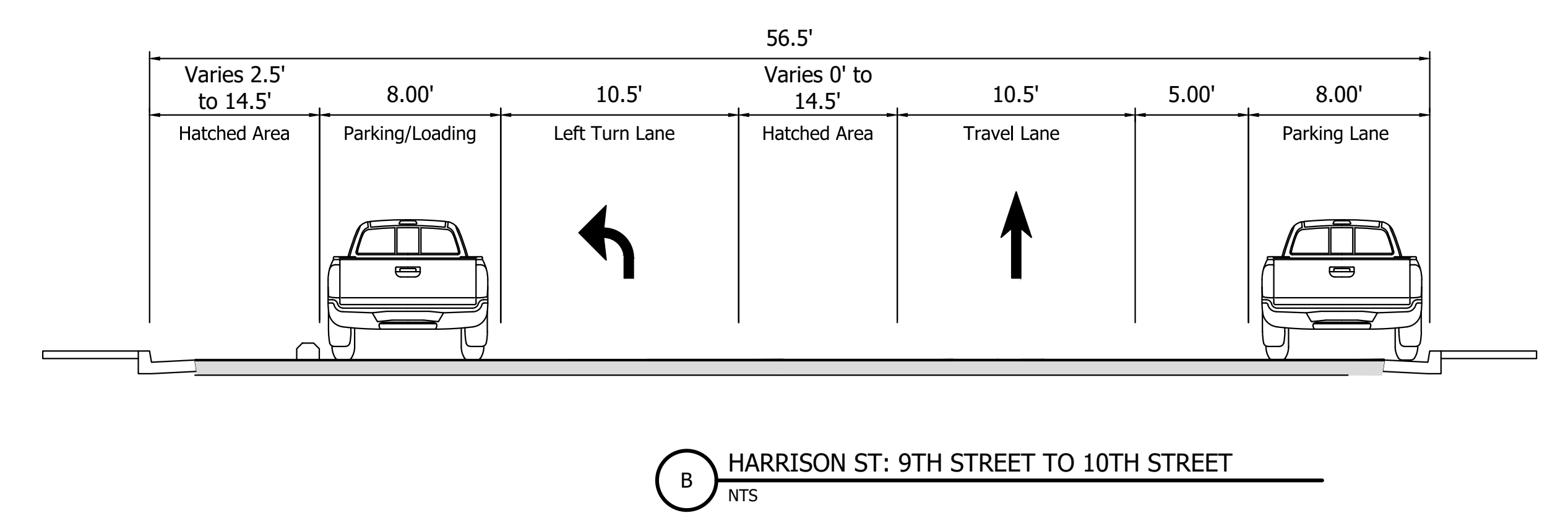
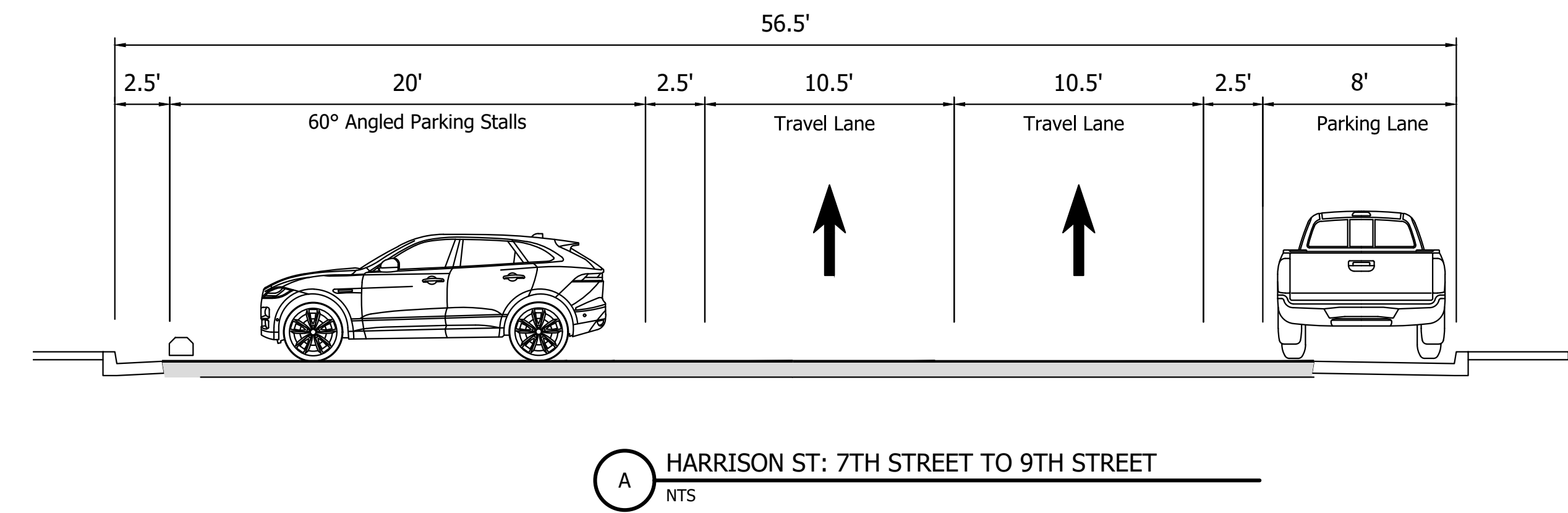
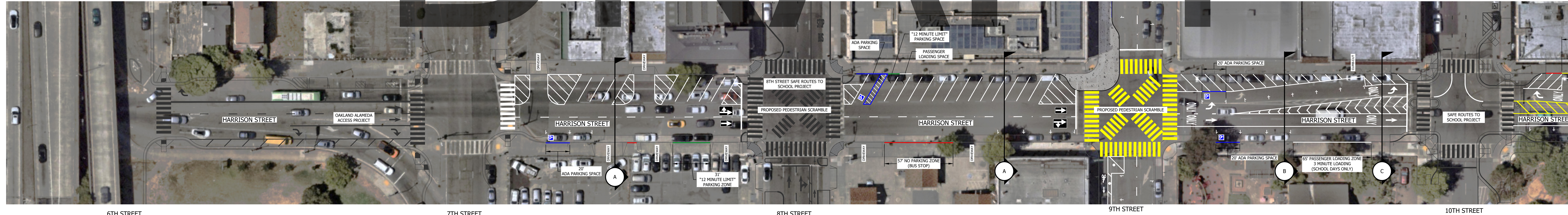
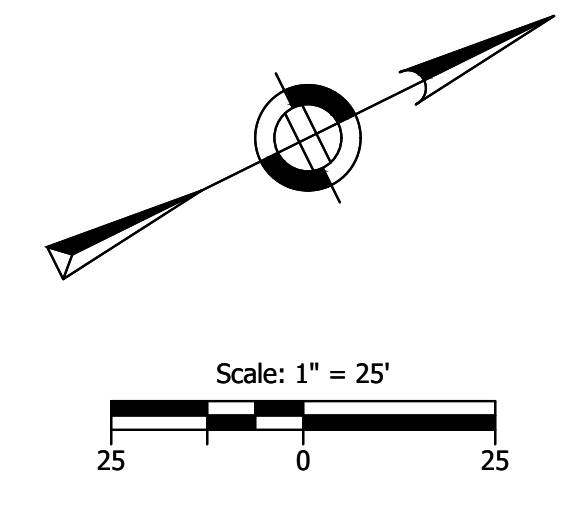
CHINATOWN COMPLETE STREETS
15% ROLL PLOT
WEBSTER STREET CORRIDOR

SHEET NO. RP07

PRELIMINARY
NOT FOR
CONSTRUCTION

DRAFT

- LEGEND**
- EXPANDED PEDESTRIAN SPACE
 - PAINTED CURB EXTENSION
 - RAISED CURB ISLAND/SIDEWALK EXTENSION



PRELIMINARY
NOT FOR
CONSTRUCTION

CITY OF OAKLAND
DEPARTMENT OF TRANSPORTATION
300 PEARSON DRIVE, SUITE 4100 - OAKLAND, CA 94612
PH: (510) 231-7277 FAX: (510) 231-7277

KITTELSON & ASSOCIATES
1000 CALIFORNIA STREET, SUITE 900
OAKLAND, CA 94612
PH: (510) 762-7100 FAX: (510) 762-7101

NO.	DATE	REVISION	APP'D

Submission Date: 12/09/2024
Drawn: JPD, Designed: MGA, Checked: EEG
PROJECT NO. 23088.014
CHINATOWN COMPLETE STREETS 15% ROLL PLOT
HARRISON STREET CORRIDOR
SHEET NO. RP08

Plot Stamp: 12/9/2024 3:54:03 PM - Jordan Dawson
 File: H:\23088 - Oakland Transp Eng and ITS On-Call\014 - Chinatown Complete Streets Plan\design_CD\CD-RP-HARR-23088-014.dwg

