

GENERAL SIGNING AND STRIPING NOTES:


- CONTINENTAL CROSSWALK, LIMIT LINE, AND OTHER STRIPING CONFORM WITH OAKLAND STANDARD DETAILS, UNLESS OTHERWISE NOTED

LEGEND: DELINEATION NOTATION

PRELIMINARY  
WILL POPULATE  
NEXT SUBMITTAL

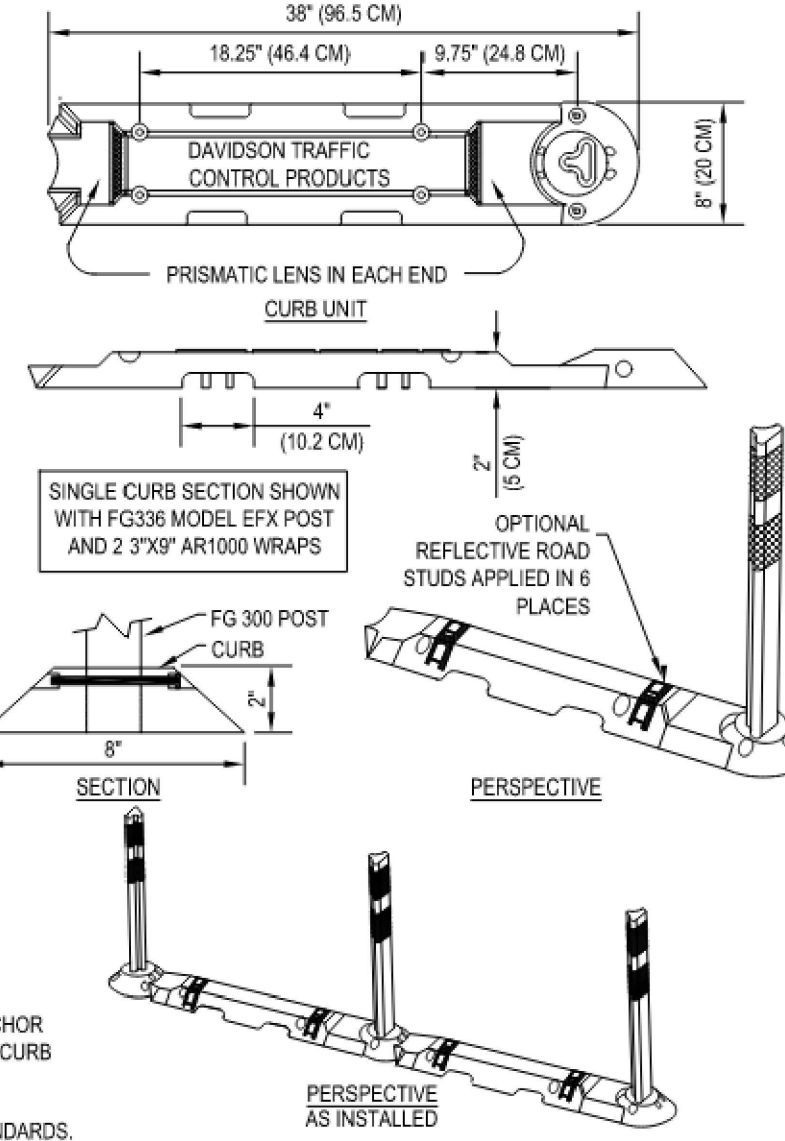
| SIGNS TO BE REMOVED |      |     |
|---------------------|------|-----|
| SHEET               | TYPE | QTY |
|                     |      |     |
|                     |      |     |
|                     |      |     |

REMOVED SIGNS SHALL BE DELIVERED TO THE CITY OF SACRAMENTO SOUTH AREA CORPORATION YARD PER SIGNING AND STRIPING GENERAL NOTE 16.



**PEXCO**  
3110 70TH AVENUE EAST  
TACOMA, WA 98424, USA  
TOLL FREE: 1-877-335-4638  
PHONE: (253) 284-8000  
FAX: (253) 284-8080  
www.pexco.com/traffic

PEXCO, DAVIDSON TRAFFIC CONTROL PRODUCTS



SELECT DESIRED POST:

- EFX GRADE
- UR GRADE

SPECIFY DESIRED HEIGHT:

- 18"       36"
- 24"       42"
- 28"       48"
- CUSTOM (SEE NOTE 4)

SELECT DESIRED POST COLOR:

- WHITE
- YELLOW
- FLUORESCENT ORANGE
- CUSTOM (SEE NOTE 3)

SELECT DESIRED REFLECTIVE SHEETING:

- REFLEXITE AR 1000
- 3M HIGH INTENSITY GRADE

SELECT DESIRED SHEETING COLOR:

- WHITE
- YELLOW
- FLUORESCENT YELLOW
- CUSTOM (SEE NOTE 3)

SELECT DESIRED OPTIONAL VP:

- 4" X 22" VERTICAL PANEL
- 8" X 33" VERTICAL PANEL

**MANUFACTURER NOTES:**

- CRASHWORTHINESS TESTED TO M.A.S.H. 2016 STANDARDS.
- POSTS AND REFLECTIVE SHEETING ARE AVAILABLE IN CUSTOM COLORS. CONTACT MANUFACTURER.
- FLEXI-GUIDE POSTS CAN BE CUT TO ANY LENGTH YOU DESIRE. CALL FOR DETAILS.

**NOTES:**

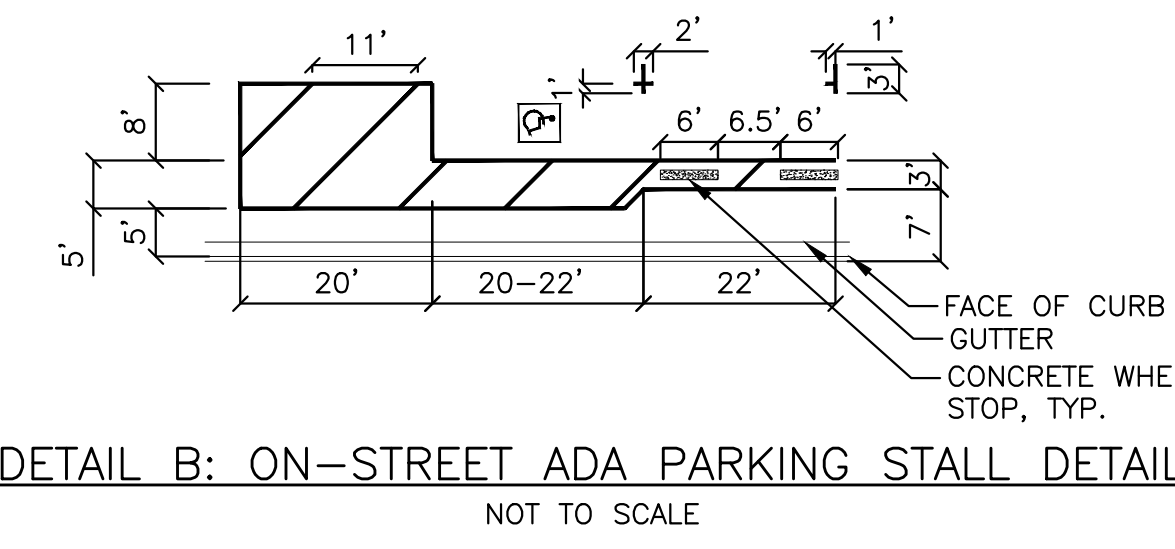
- INSTALLATION TO BE COMPLETED IN ACCORDANCE WITH MANUFACTURER'S SPECIFICATIONS.
- DO NOT SCALE DRAWING.
- THIS DRAWING IS INTENDED FOR USE BY ARCHITECTS, ENGINEERS, CONTRACTORS, CONSULTANTS AND DESIGN PROFESSIONALS FOR PLANNING PURPOSES ONLY. THIS DRAWING MAY NOT BE USED FOR CONSTRUCTION.
- ALL INFORMATION CONTAINED HEREIN WAS CURRENT AT THE TIME OF DEVELOPMENT BUT MUST BE REVIEWED AND APPROVED BY THE PRODUCT MANUFACTURER TO BE CONSIDERED ACCURATE.
- CONTRACTOR'S NOTE: FOR PRODUCT AND COMPANY INFORMATION VISIT [www.CADdetails.com/info](http://www.CADdetails.com/info) AND ENTER REFERENCE NUMBER 644-036.

**FLEXI-GUIDE FG 300 CURB SYSTEMS: INTERSTATE GRADE AND TURNPIKE GRADE**

FG 300 INTERSTATE GRADE CURB SYSTEM

644-036      PROTECTED BY COPYRIGHT ©2021 CADDETAILS.COM LTD.      REVISION DATE 04/01/2021      CADdetails.com

**DETAIL A: FG 300 CURB STOP PRODUCT DETAIL**  
NOT TO SCALE



**DETAIL B: ON-STREET ADA PARKING STALL DETAIL**  
NOT TO SCALE



**DETAIL C: BIKE LANE DRIVEWAY TRANSITION DETAIL**  
NOT TO SCALE

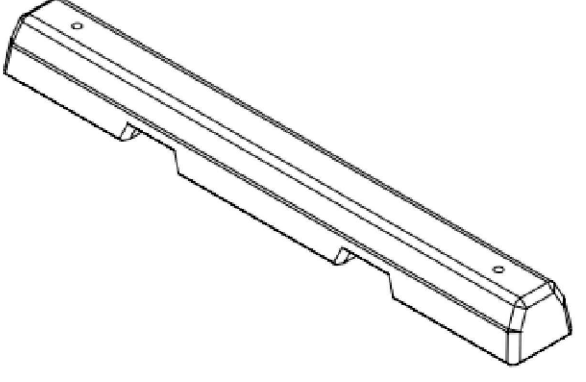
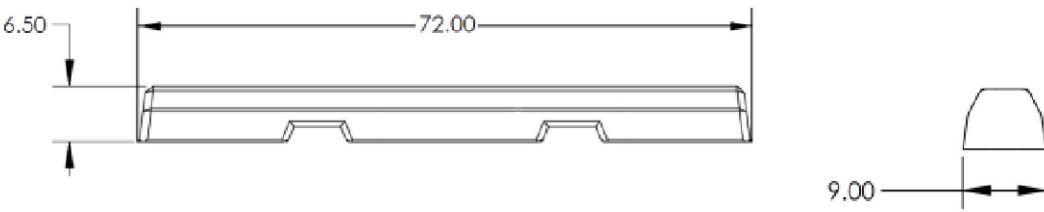


**PRODUCT SPEC SHEET**

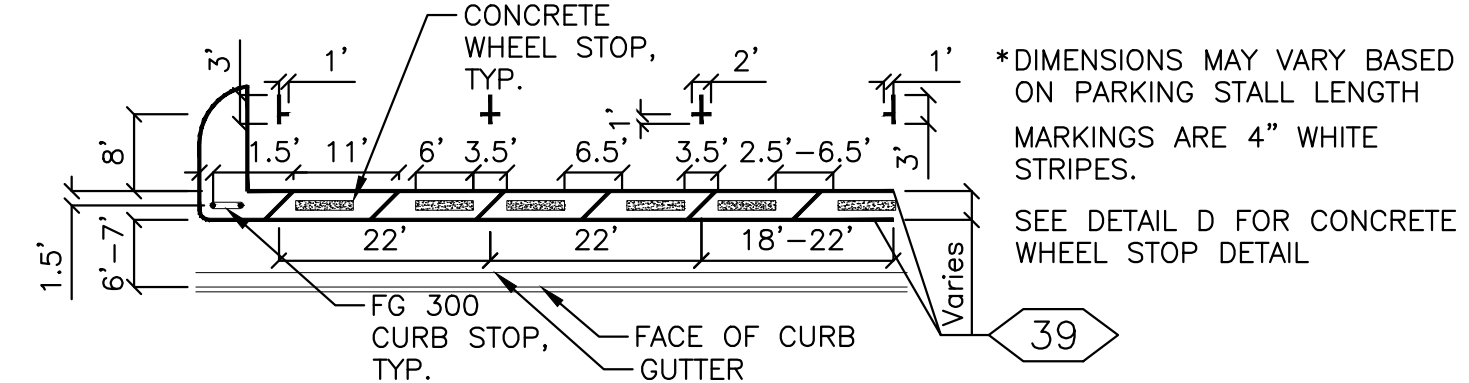
## PC-6

**MODEL:** PC-6  
**DESCRIPTION:** Concrete Parking Curb w/Forklift Knockouts  
**DIMENSIONS:** 72"L x 9"W x 6.5"H  
**REINFORCEMENT:** Two Stringer welded, 1/2" rebar cage.  
**WEIGHT:** 260 lbs.  
**FINISH:** Smooth gray concrete

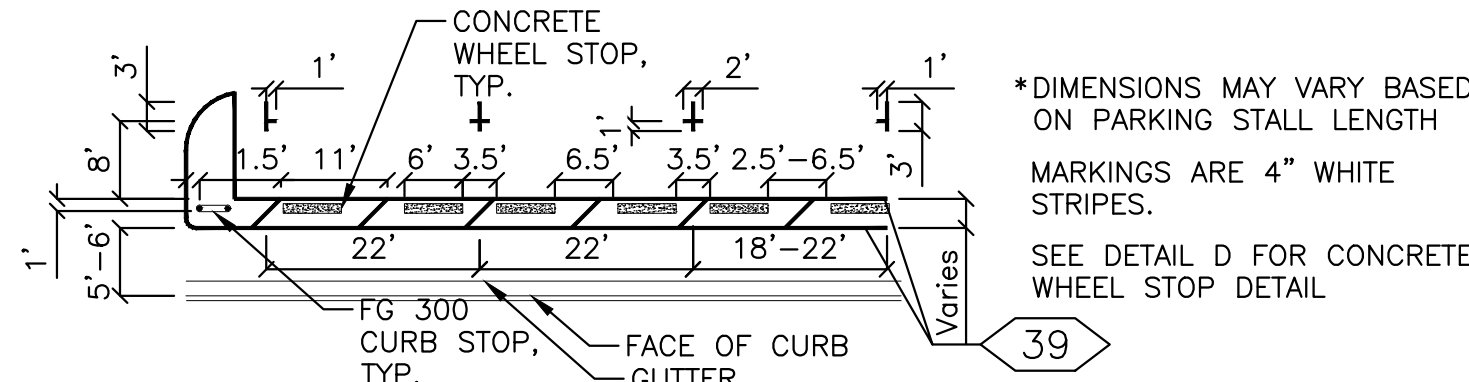
- Sherwin-Williams Concrete Stain Available for Finish.

**DETAIL D: CONCRETE WHEEL STOP PRODUCT DETAIL**  
NOT TO SCALE



**DETAIL E: ON-STREET PARKING DETAIL**  
NOT TO SCALE



**DETAIL F: ON-STREET PARKING DETAIL (CONSTRAINED BIKEWAY)**  
NOT TO SCALE



**FEHR PEERS**  
2201 Broadway Suite 602 Oakland, CA 94612 (510) 834-3200

**Underground Service Alert**



**Call: TOLL FREE**  
**811/800 227-2600**

TWO WORKING DAYS BEFORE YOU DIG

**MARTIN LUTHER KING JR WAY  
STREETSCAPE PROJECT**



**CITY OF OAKLAND**  
DEPARTMENT OF TRANSPORTATION  
250 FRANK H. OGAWA PLAZA, SUITE 4314 • OAKLAND CA, 94612  
(510) 238-3437 • FAX (510) 238-7227

| CIVIL ENGINEER        | NO. | DATE | BY | REFERENCE |
|-----------------------|-----|------|----|-----------|
| ROB REES              |     |      |    |           |
| RCE NO. <u>C49620</u> |     |      |    |           |
| CHECKED BY            |     |      |    |           |
| DESIGNED BY           |     |      |    |           |
| DRAWN BY              |     |      |    |           |

**SEPARATED BIKEWAY  
CONCEPT**

PROJECT NO.

## 1006266

SCALE: N.T.S. SHEET NO. S-01  
DATE: June 30, 2023 1 OF 5

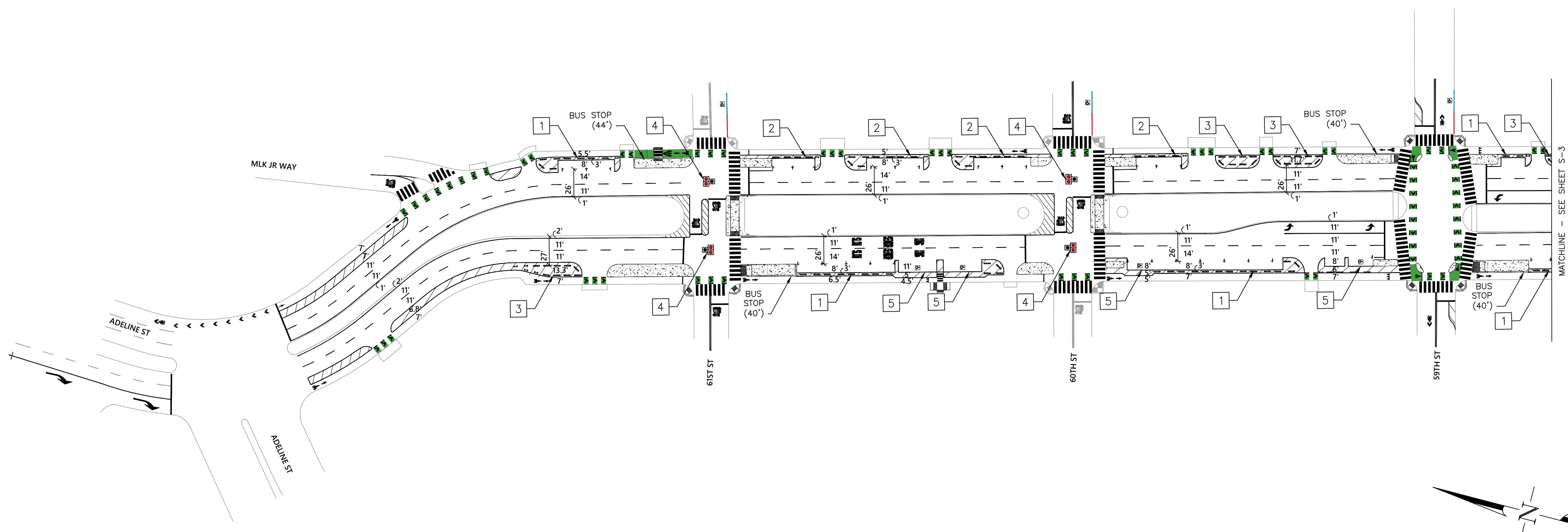


**KEY NOTES:**

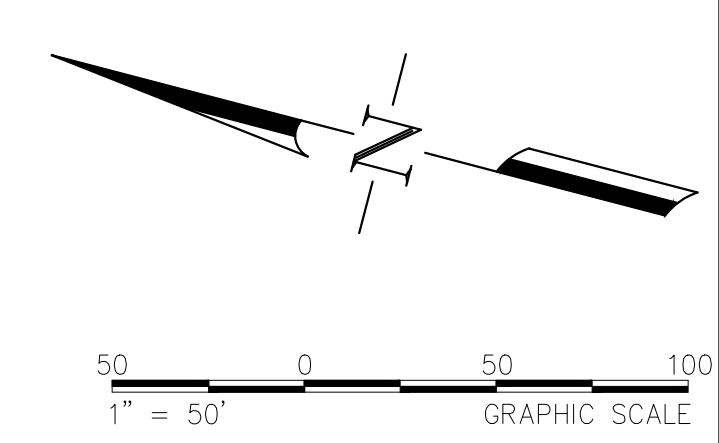
- 1 INSTALL 6" WHITE STRIPES AT 11' SPACING, AN FG300 DELINEATOR POST, CONCRETE WHEEL STOPS, AND PARKING PER DETAIL E ON SHEET S-1.
- 2 WHERE BIKEWAY IS LESS THAN 6', INSTALL CONCRETE WHEEL STOPS 1' FROM PARKING STRIPE PER DETAIL F ON SHEET S-1.
- 3 INSTALL 6" WHITE STRIPES AT 11' SPACING ON CENTER AND CONCRETE WHEEL STOPS IN A TRAPEZOIDAL CONFIGURATION
- 4 INSTALL PEDESTRIAN HYBRID BEACON WITH CA MUTCD R10-23 SIGNAGE
- 5 INSTALL ADA PARKING STALL PER DETAIL B ON SHEET S-1.

**LEGEND:**

- ➔ TYPE I 10' ARROW
- ➔ TYPE II ARROW
- ➔ TYPE III ARROW
- ➔ TYPE VI ARROW
- Ⓜ PEDESTRIAN HYBRID BEACON
- ▼ YIELD LINE
- 🚲 BIKE LANE SYMBOL WITH PERSON AND BIKE LANE ARROW
- ⚠ SHARROW
- > SHARED LANE INTERSECTION MARKINGS
- ⊕ PARKING T's AND L's
- ☐ CONCRETE
- BLUE/ADA CURB STRIPING
- RED/NO PARKING CURB STRIPING
- ▬ CONCRETE WHEEL STOP (SEE DETAIL D ON SHEET S-1)
- FG 300 CURB STOP (SEE DETAIL A ON SHEET S-1)



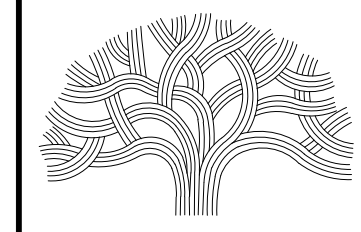
PROPOSED PLAN  
1"=50'



**Underground Service Alert**  
Call: TOLL FREE  
811/800  
227-2600  
TWO WORKING DAYS BEFORE YOU DIG

REVISED FOR DRAFT 35% SUBMITTAL  
NOT FOR BID OR CONSTRUCTION

MARTIN LUTHER KING JR WAY  
STREETSCAPE PROJECT



**CITY OF OAKLAND**  
DEPARTMENT OF TRANSPORTATION  
250 FRANK H. OGAWA PLAZA, SUITE 4314 \* OAKLAND CA, 94612  
(510) 238-3437 \* FAX (510) 238-7227

|                            |     |      |    |           |
|----------------------------|-----|------|----|-----------|
| CIVIL ENGINEER<br>ROB REES | NO. | DATE | BY | REFERENCE |
| RCE NO. C49620             |     |      |    |           |
| CHECKED BY RM              |     |      |    |           |
| DESIGNED BY KD             |     |      |    |           |
| DRAWN BY KD                |     |      |    |           |

SEPARATED BIKEWAY  
CONCEPT

**FEHR PEERS**  
2201 Broadway Suite 602 Oakland, CA 94612 (510) 834-3200

PROJECT NO.  
**1006266**

SCALE: 1" = 50'  
DATE: June 21, 2023

SHEET NO.  
**S-02**  
2 OF 5

Fehr & Peers, its employees, its officers or agents shall not be responsible for the accuracy or completeness of electronic copies of this plan sheet.

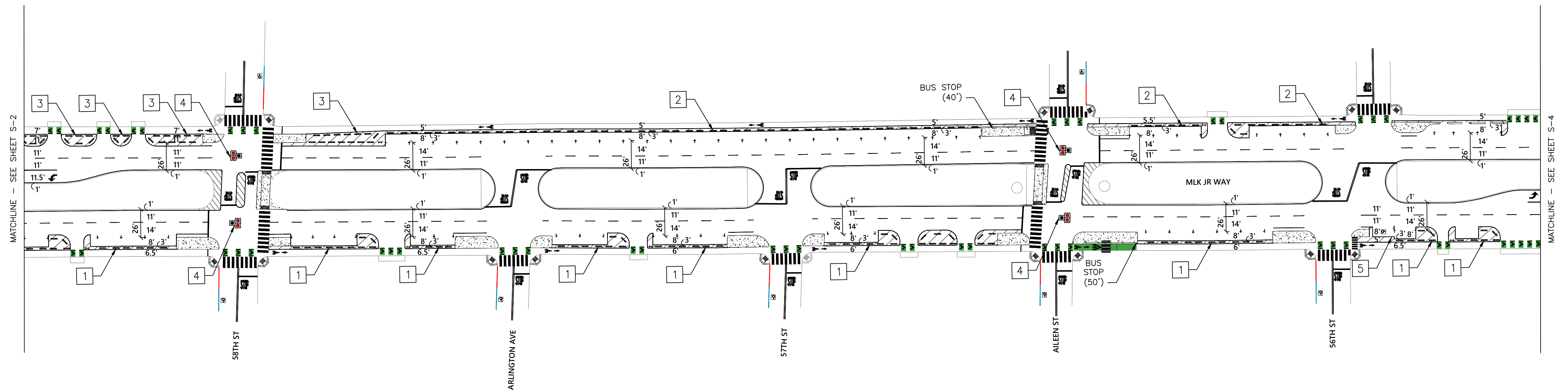
I:\Projects\2019\0419-0337\_04\_MLK\_StreetScapes\_Plan\05\_Submit\04\_10337\_04\_SS.dwg  
 6/30/2023 11:39 AM Ken Der

**KEY NOTES:**

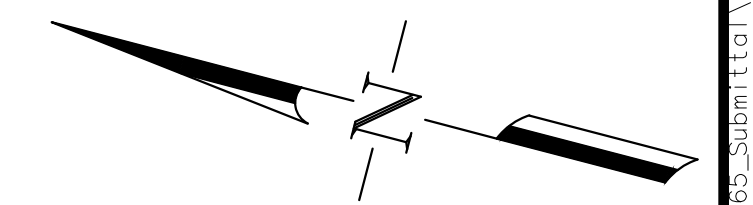
- 1 INSTALL 6" WHITE STRIPES AT 11' SPACING, AN FG300 DELINEATOR POST, CONCRETE WHEEL STOPS, AND PARKING PER DETAIL E ON SHEET S-1.
- 2 WHERE BIKEWAY IS LESS THAN 6', INSTALL CONCRETE WHEEL STOPS 1' FROM PARKING STRIPE PER DETAIL F ON SHEET S-1.
- 3 INSTALL 6" WHITE STRIPES AT 11' SPACING ON CENTER AND CONCRETE WHEEL STOPS IN A TRAPEZOIDAL CONFIGURATION
- 4 INSTALL PEDESTRIAN HYBRID BEACON WITH CA MUTCD R10-23 SIGNAGE
- 5 INSTALL ADA PARKING STALL PER DETAIL B ON SHEET S-1.

**LEGEND:**

- ➔ TYPE I 10' ARROW
- ➔ TYPE II ARROW
- ➔ TYPE III ARROW
- ➔ TYPE VI ARROW
- Ⓜ PEDESTRIAN HYBRID BEACON
- ▼ YIELD LINE
- 🚲 BIKE LANE SYMBOL WITH PERSON AND BIKE LANE ARROW
- ⚠ SHARROW
- > SHARED LANE INTERSECTION MARKINGS
- ⊕ PARKING T's AND L's
- ☐ CONCRETE
- BLUE/ADA CURB STRIPING
- RED/NO PARKING CURB STRIPING
- ▬ CONCRETE WHEEL STOP (SEE DETAIL D ON SHEET S-1)
- ▬ FG 300 CURB STOP (SEE DETAIL A ON SHEET S-1)



PROPOSED PLAN  
1"=50'

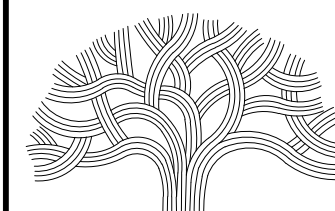


50 0 50 100  
1" = 50' GRAPHIC SCALE



REVISED FOR DRAFT 35% SUBMITTAL  
NOT FOR BID OR CONSTRUCTION

MARTIN LUTHER KING JR WAY  
STREETSCAPE PROJECT



CITY OF OAKLAND

DEPARTMENT OF TRANSPORTATION  
250 FRANK H. OGAWA PLAZA, SUITE 4314 \* OAKLAND CA, 94612  
(510) 238-3437 \* FAX (510) 238-7227

CIVIL ENGINEER  
ROB REES

RCE NO. C49620

CHECKED BY RM

DESIGNED BY KD

DRAWN BY KD

| NO. | DATE | BY | REFERENCE |
|-----|------|----|-----------|
|     |      |    |           |
|     |      |    |           |
|     |      |    |           |

SEPARATED BIKEWAY  
CONCEPT

PROJECT NO.

1006266

SCALE:  
1" = 50'

DATE:  
June 30, 2023

SHEET NO.

S-03

3 OF 5

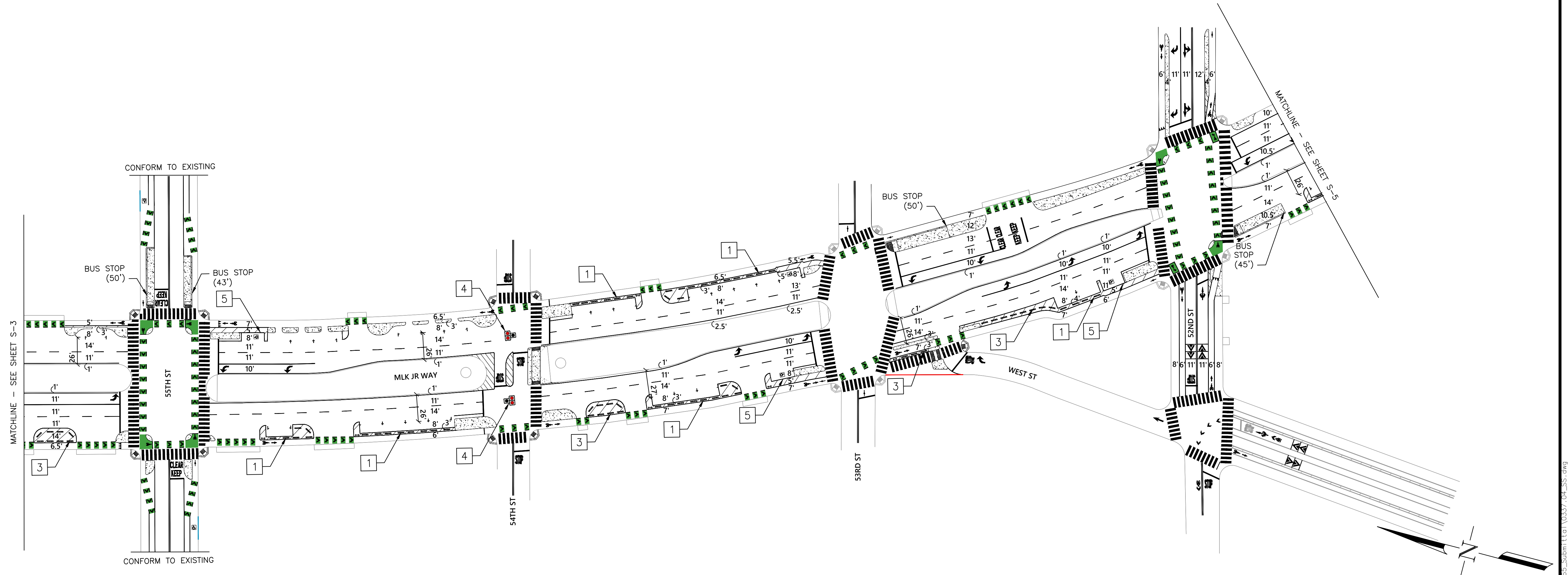


**KEY NOTES:**

- 1 INSTALL 6" WHITE STRIPES AT 11' SPACING, AN FG300 DELINEATOR POST, CONCRETE WHEEL STOPS, AND PARKING PER DETAIL E ON SHEET S-1.
- 2 WHERE BIKEWAY IS LESS THAN 6', INSTALL CONCRETE WHEEL STOPS 1' FROM PARKING STRIPE PER DETAIL F ON SHEET S-1.
- 3 INSTALL 6" WHITE STRIPES AT 11' SPACING ON CENTER AND CONCRETE WHEEL STOPS IN A TRAPEZOIDAL CONFIGURATION
- 4 INSTALL PEDESTRIAN HYBRID BEACON WITH CA MUTCD R10-23 SIGNAGE
- 5 INSTALL ADA PARKING STALL PER DETAIL B ON SHEET S-1.

**LEGEND:**

- TYPE I 10' ARROW
- ↔ TYPE II ARROW
- ↗ TYPE III ARROW
- ↘ TYPE VI ARROW
- ⬢ PEDESTRIAN HYBRID BEACON
- ▼ YIELD LINE
- 🚲 BIKE LANE SYMBOL WITH PERSON AND BIKE LANE ARROW
- ⚠ SHARROW
- > SHARED LANE INTERSECTION MARKINGS
- ⊕ PARKING T's AND L's
- ☐ CONCRETE
- BLUE/ADA CURB STRIPING
- RED/NO PARKING CURB STRIPING
- ▭ CONCRETE WHEEL STOP (SEE DETAIL D ON SHEET S-1)
- ▭ FG 300 CURB STOP (SEE DETAIL A ON SHEET S-1)



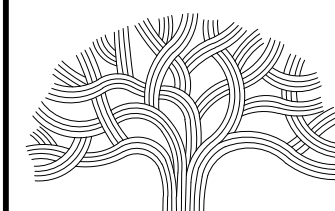
PROPOSED PLAN  
1"=50'

50 0 50 100  
1" = 50' GRAPHIC SCALE

**Underground Service Alert**  
Call: TOLL FREE  
**811/800**  
**227-2600**  
TWO WORKING DAYS BEFORE YOU DIG

REVISED FOR DRAFT 35% SUBMITTAL  
NOT FOR BID OR CONSTRUCTION

MARTIN LUTHER KING JR WAY  
STREETScape PROJECT



CITY OF OAKLAND

DEPARTMENT OF TRANSPORTATION  
250 FRANK H. OGAWA PLAZA, SUITE 4314 • OAKLAND CA, 94612  
(510) 238-3437 • FAX (510) 238-7227

CIVIL ENGINEER  
ROB REES

RCE NO. C49620

CHECKED BY RM

DESIGNED BY KD

DRAWN BY KD

| NO. | DATE | BY | REFERENCE |
|-----|------|----|-----------|
|     |      |    |           |
|     |      |    |           |
|     |      |    |           |

SEPARATED BIKEWAY  
CONCEPT

FEHR PEERS

2201 Broadway Suite 602 Oakland, CA 94612 (510) 834-3200

PROJECT NO.  
**1006266**

SCALE: 1" = 50'  
DATE: June 30, 2023  
SHEET NO. S-04  
4 OF 5

Fehr & Peers, its employees, its officers or agents shall not be responsible for the accuracy or completeness of electronic copies of this plan sheet.

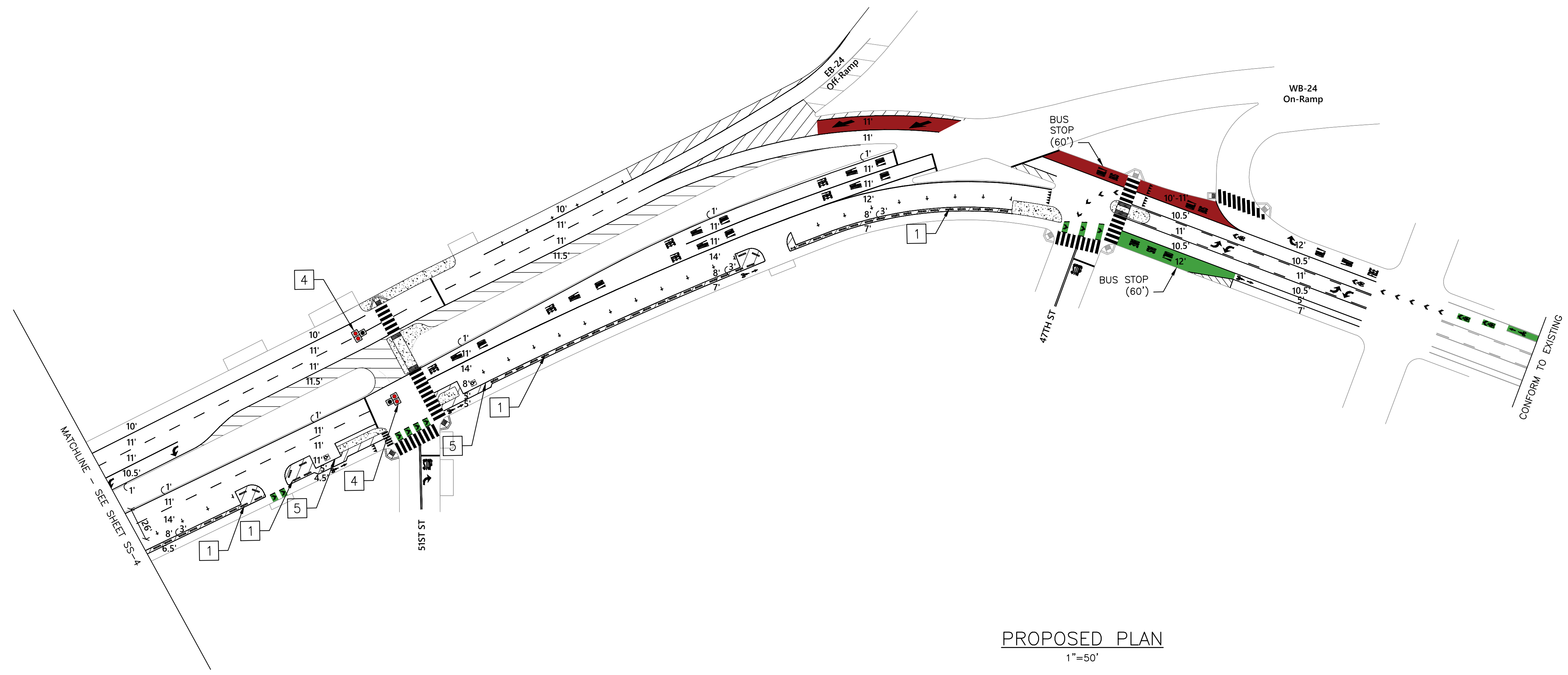
I:\Projects\2019\0419-0337\_04\_MLK\_Streetcape\_Plan\05\_Submit to 100337\_04\_SS.dwg  
 6/30/2023 11:40 AM Ken Der

**KEY NOTES:**

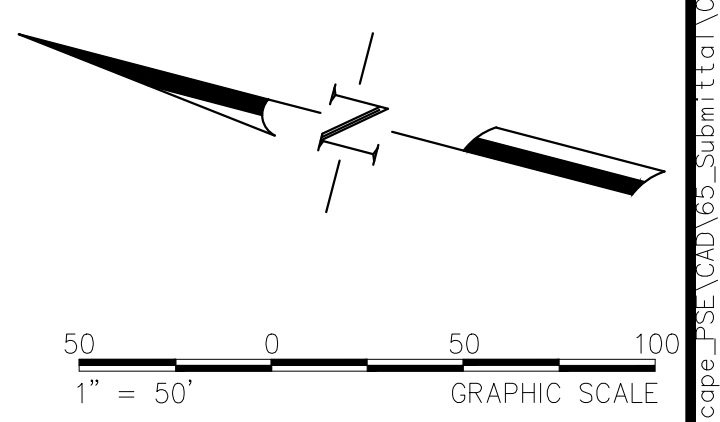
- 1 INSTALL 6" WHITE STRIPES AT 11' SPACING, AN FG300 DELINEATOR POST, CONCRETE WHEEL STOPS, AND PARKING PER DETAIL E ON SHEET S-1.
- 2 WHERE BIKEWAY IS LESS THAN 6', INSTALL CONCRETE WHEEL STOPS 1' FROM PARKING STRIPE PER DETAIL F ON SHEET S-1.
- 3 INSTALL 6" WHITE STRIPES AT 11' SPACING ON CENTER AND CONCRETE WHEEL STOPS IN A TRAPEZOIDAL CONFIGURATION
- 4 INSTALL PEDESTRIAN HYBRID BEACON WITH CA MUTCD R10-23 SIGNAGE
- 5 INSTALL ADA PARKING STALL PER DETAIL B ON SHEET S-1.

**LEGEND:**

- TYPE I 10' ARROW
- TYPE II ARROW
- TYPE III ARROW
- TYPE VI ARROW
- PEDESTRIAN HYBRID BEACON
- YIELD LINE
- BIKE LANE SYMBOL WITH PERSON AND BIKE LANE ARROW
- SHARROW
- SHARED LANE INTERSECTION MARKINGS
- PARKING T's AND L's
- CONCRETE
- BLUE/ADA CURB STRIPING
- RED/NO PARKING CURB STRIPING
- CONCRETE WHEEL STOP (SEE DETAIL D ON SHEET S-1)
- FG 300 CURB STOP (SEE DETAIL A ON SHEET S-1)



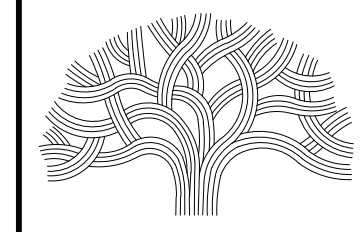
PROPOSED PLAN  
1"=50'



**Underground Service Alert**  
Call: TOLL FREE  
**811/800  
227-2600**  
TWO WORKING DAYS BEFORE YOU DIG

REVISED FOR DRAFT 35% SUBMITTAL  
NOT FOR BID OR CONSTRUCTION

MARTIN LUTHER KING JR WAY  
STREETSCAPE PROJECT



**CITY OF OAKLAND**  
DEPARTMENT OF TRANSPORTATION  
250 FRANK H. OGAWA PLAZA, SUITE 4314 \* OAKLAND CA, 94612  
(510) 238-3437 \* FAX (510) 238-7227

|                                   |     |      |    |           |
|-----------------------------------|-----|------|----|-----------|
| CIVIL ENGINEER<br><b>ROB REES</b> | NO. | DATE | BY | REFERENCE |
| RCE NO. <u>C49620</u>             |     |      |    |           |
| CHECKED BY<br><b>RM</b>           |     |      |    |           |
| DESIGNED BY<br><b>KD</b>          |     |      |    |           |
| DRAWN BY<br><b>KD</b>             |     |      |    |           |

SEPARATED BIKEWAY  
CONCEPT

PROJECT NO.  
**1006266**

SCALE:  
**1" = 50'**

DATE:  
**June 30, 2023**

SHEET NO.  
**S-05**  
5 OF 5

Fehr & Peers, its employees, its officers or agents shall not be responsible for the accuracy or completeness of electronic copies of this plan sheet.

I:\Projects\2019\041419-0337\_02\_MLR\_StreetScapes\_Plan\05\_Submittal\0337\_02\_SS.dwg  
 6/30/2023 11:40 AM Ken Der