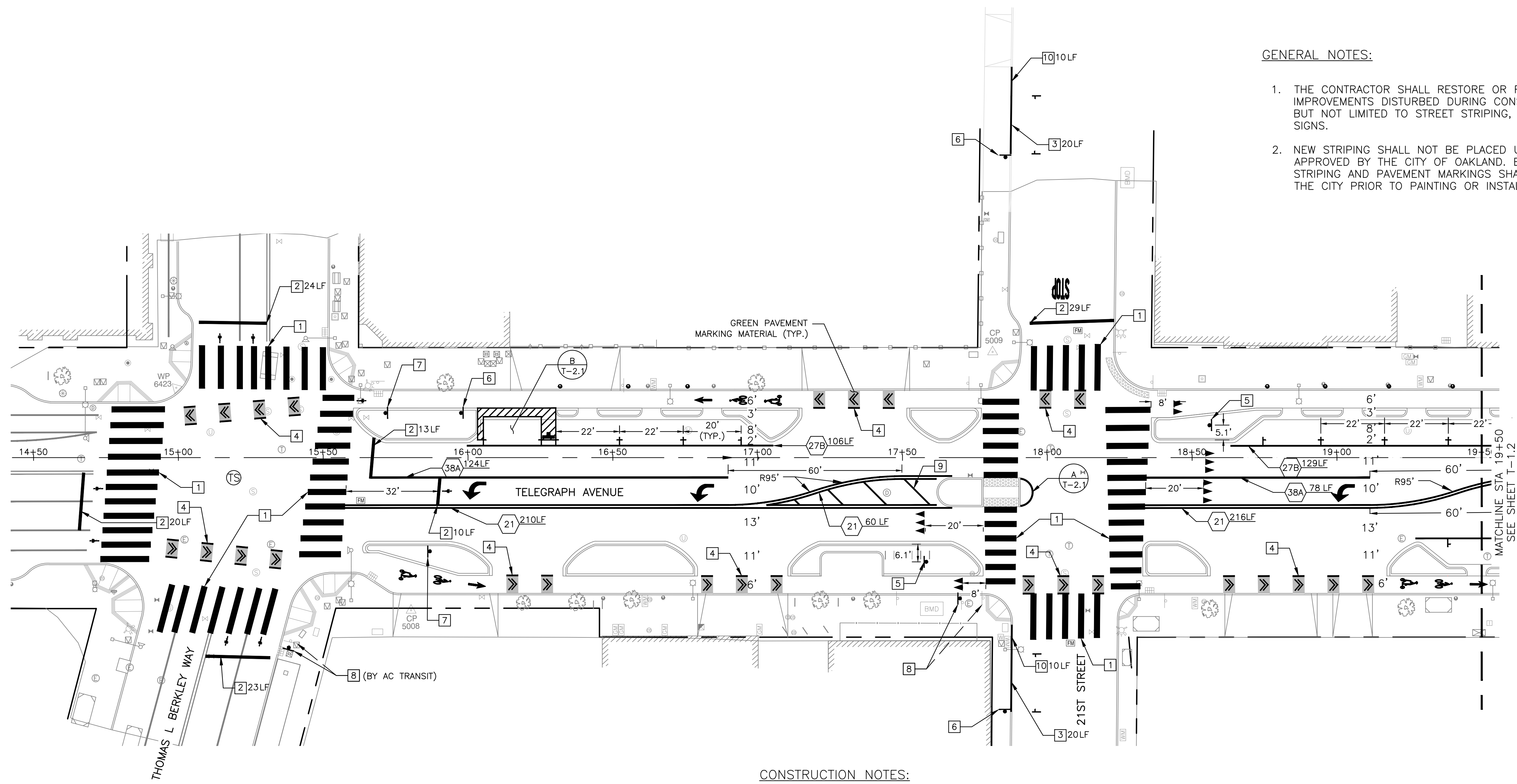


**GENERAL NOTES:**

1. THE CONTRACTOR SHALL RESTORE OR REPLACE ALL EXISTING IMPROVEMENTS DISTURBED DURING CONSTRUCTION INCLUDING BUT NOT LIMITED TO STREET STRIPING, LANDSCAPING AND SIGNS.
2. NEW STRIPING SHALL NOT BE PLACED UNTIL CAT-TRACK APPROVED BY THE CITY OF OAKLAND. EXACT LOCATION OF STRIPING AND PAVEMENT MARKINGS SHALL BE APPROVED BY THE CITY PRIOR TO PAINTING OR INSTALLATION.

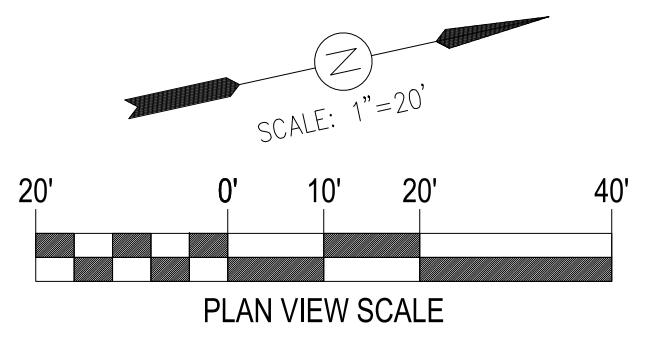


**LEGEND:**

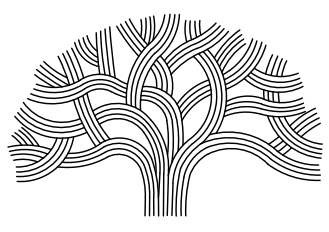
- |  |  |  |  |
|--|--|--|--|
|  | SCOOTER AND BIKE PAVEMENT MARKING (C/T-2.1)                  |  | PARKING STALL "TEE" PER CITY OF OAKLAND STANDARD DETAIL M-11 |
|  | BIKE DETECTOR SYMBOL PER CITY OF OAKLAND STANDARD DETAIL M-3 |  | CA MUTCD DETAIL NO. AND QUANTITY                             |
|  | PROPOSED TRAFFIC SIGN AND POST                               |  | FIRE HYDRANT RETROREFLECTIVE MARKER                          |
|  | ARROW TYPE IV (L/R) PER CALTRANS STANDARD PLANS A24A         |  | PAVEMENT MARKINGS PER CALTRANS STANDARD PLANS A24D AND A24E  |
|  | TRAFFIC SIGNAL CONTROLLED INTERSECTION                       |  | PARKING METER (E/T-2.1)                                      |
|  | YIELD MARKINGS PER CALTRANS STANDARD PLANS A24E              |  |  |

**CONSTRUCTION NOTES:**

- |   |   |    |   |
|---|---|----|---|
| 1 | INSTALL CONTINENTAL CROSSWALK PER CITY OF OAKLAND STANDARD DETAIL M-4A (STAGGERED SPACING) AND M-4B | 7  | INSTALL CA MUTCD R81 (CA) SIGN                          |
| 2 | INSTALL 1' WIDE WHITE THERMOPLASTIC STRIPING 8' FROM CROSSWALK UNLESS OTHERWISE NOTED               | 8  | RELOCATE SIGN   |
| 3 | INSTALL BLUE CURB   | 9  | INSTALL 6" YELLOW STRIPE EVERY 15 FT O.C. AT 45 DEGREES |
| 4 | INSTALL BIKE LANE INTERSECTION MARKING DETAIL PER CITY OF OAKLAND DETAIL G-4                        | 10 | INSTALL RED CURB  |
| 5 | INSTALL CA MUTCD R1-5 SIGN  |    |   |
| 6 | INSTALL CA MUTCD R99C (CA) SIGN   |    |   |



**TELEGRAPH AVENUE COMPLETE STREET PROJECT**



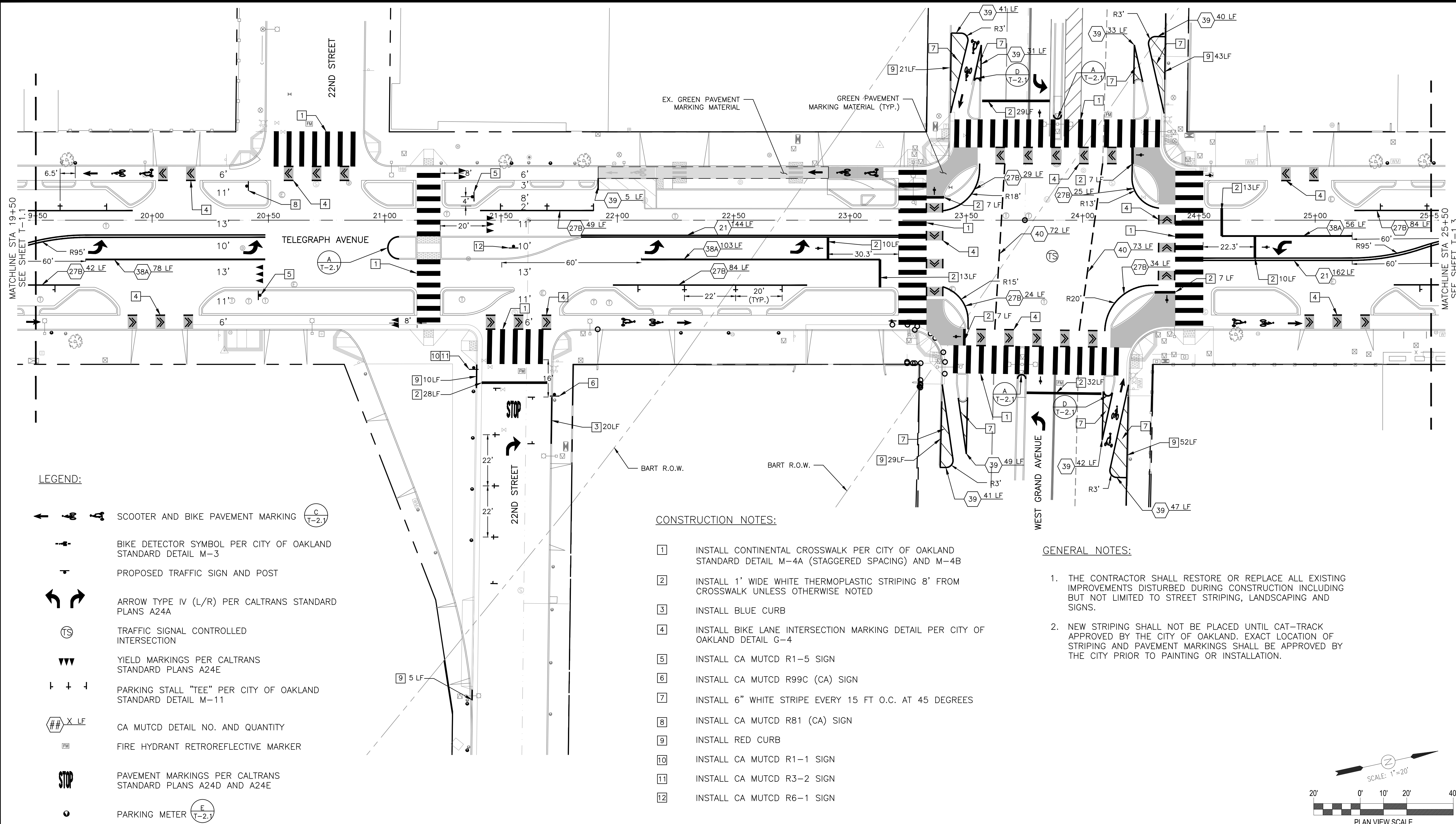
**CITY OF OAKLAND**  
 DEPARTMENT OF TRANSPORTATION  
 250 FRANK H. OGAWA PLAZA, SUITE 4314 • OAKLAND, CA 94612  
 (510) 238-3437 • FAX (510) 238-7227

CIVIL ENGINEER	SI LAU	NO.	DATE	BY	REFERENCE
RCE NO.	C57390				
CHECKED BY	ES				
DESIGNED BY	DA				
DRAWN BY	DA				

**CONSTRUCTION PLAN**  
 SIGNING & STRIPING PLAN  
 STA 14+50 TO STA 19+50

PROJECT NO.	
<b>1003233</b>	
SCALE:	SHEET NO.
1" = 20'	<b>T-1.1</b>
DATE:	50 OF 87
NOVEMBER 16, 2020	

DRAWING NAME: P:\Great Streets Delivery\PROJECTS\CSD\1.ACTIVE\1003233 - Telegraph Ave Complete Streets (NO)2.DESIGN\6. Final\T- Plans\T-CAD\T-1.dwg  
 PLOT DATE: 11-16-20  
 PLOTTED BY: wang98



MATCHLINE STA 19+50  
SEE SHEET T-1.1

MATCHLINE STA 25+50  
SEE SHEET T-1.3

**LEGEND:**

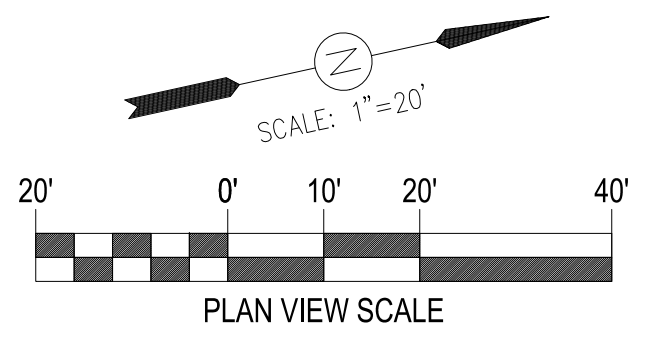
- SCOOTER AND BIKE PAVEMENT MARKING (C/T-2.1)
- BIKE DETECTOR SYMBOL PER CITY OF OAKLAND STANDARD DETAIL M-3
- PROPOSED TRAFFIC SIGN AND POST
- ARROW TYPE IV (L/R) PER CALTRANS STANDARD PLANS A24A
- TRAFFIC SIGNAL CONTROLLED INTERSECTION
- YIELD MARKINGS PER CALTRANS STANDARD PLANS A24E
- PARKING STALL "TEE" PER CITY OF OAKLAND STANDARD DETAIL M-11
- CA MUTCD DETAIL NO. AND QUANTITY
- FIRE HYDRANT RETROREFLECTIVE MARKER
- PAVEMENT MARKINGS PER CALTRANS STANDARD PLANS A24D AND A24E
- PARKING METER (E/T-2.1)

**CONSTRUCTION NOTES:**

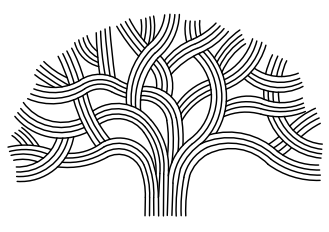
- 1. INSTALL CONTINENTAL CROSSWALK PER CITY OF OAKLAND STANDARD DETAIL M-4A (STAGGERED SPACING) AND M-4B
- 2. INSTALL 1' WIDE WHITE THERMOPLASTIC STRIPING 8' FROM CROSSWALK UNLESS OTHERWISE NOTED
- 3. INSTALL BLUE CURB
- 4. INSTALL BIKE LANE INTERSECTION MARKING DETAIL PER CITY OF OAKLAND DETAIL G-4
- 5. INSTALL CA MUTCD R1-5 SIGN
- 6. INSTALL CA MUTCD R99C (CA) SIGN
- 7. INSTALL 6" WHITE STRIPE EVERY 15 FT O.C. AT 45 DEGREES
- 8. INSTALL CA MUTCD R81 (CA) SIGN
- 9. INSTALL RED CURB
- 10. INSTALL CA MUTCD R1-1 SIGN
- 11. INSTALL CA MUTCD R3-2 SIGN
- 12. INSTALL CA MUTCD R6-1 SIGN

**GENERAL NOTES:**

- 1. THE CONTRACTOR SHALL RESTORE OR REPLACE ALL EXISTING IMPROVEMENTS DISTURBED DURING CONSTRUCTION INCLUDING BUT NOT LIMITED TO STREET STRIPING, LANDSCAPING AND SIGNS.
- 2. NEW STRIPING SHALL NOT BE PLACED UNTIL CAT-TRACK APPROVED BY THE CITY OF OAKLAND. EXACT LOCATION OF STRIPING AND PAVEMENT MARKINGS SHALL BE APPROVED BY THE CITY PRIOR TO PAINTING OR INSTALLATION.



**TELEGRAPH AVENUE COMPLETE STREET PROJECT**



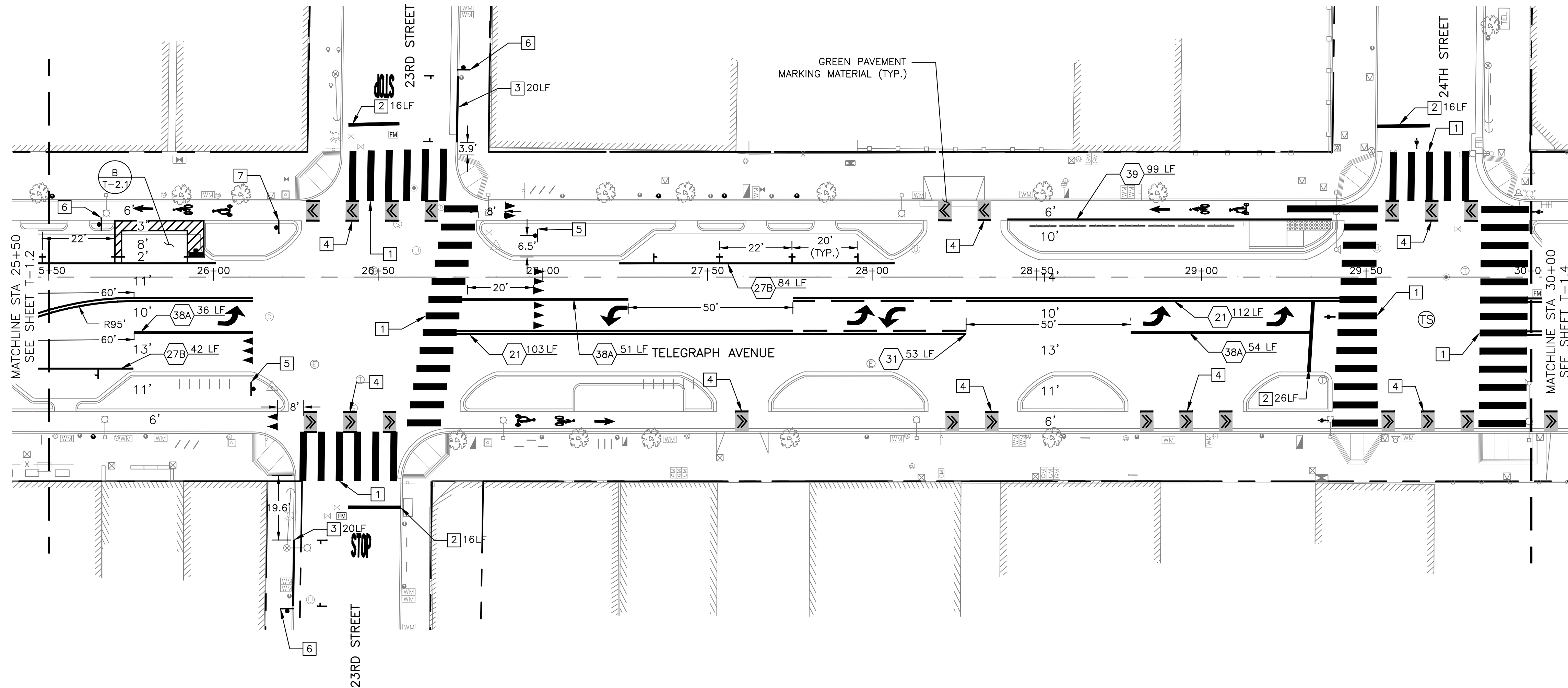
**CITY OF OAKLAND**  
DEPARTMENT OF TRANSPORTATION  
250 FRANK H. OGAWA PLAZA, SUITE 4314 • OAKLAND CA, 94612  
(510) 238-3437 • FAX (510) 238-7227

CIVIL ENGINEER <b>SI LAU</b>	NO.	DATE	BY	REFERENCE
RCE NO. C57390				
CHECKED BY ES				
DESIGNED BY DA				
DRAWN BY DA				

**CONSTRUCTION PLAN**  
SIGNING & STRIPING PLAN  
STA 19+50 TO STA 25+50

PROJECT NO. <b>1003233</b>	
SCALE: 1" = 20'	SHEET NO. <b>T-1.2</b>
DATE: NOVEMBER 16, 2020	51 OF 87

DRAWING NAME: P:\Great Streets Delivery\PROJECTS\CSD\1.ACTIVE\1003233 - Telegraph Ave Complete Streets (NO)2.DESIGN\6. Final\1. Plans\1. CAD\T-1.2.dwg  
PLOT DATE: 11-16-20  
PLOTTED BY: wang98



**LEGEND:**

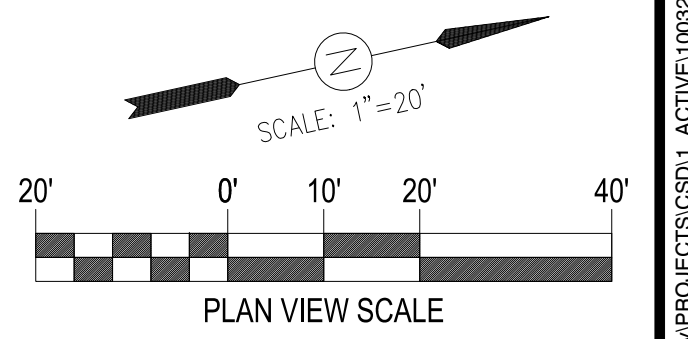
- SCOOTER AND BIKE PAVEMENT MARKING (C T-2.1)
- BIKE DETECTOR SYMBOL PER CITY OF OAKLAND STANDARD DETAIL M-3
- PROPOSED TRAFFIC SIGN AND POST
- ARROW TYPE IV (L/R) PER CALTRANS STANDARD PLANS A24A
- TRAFFIC SIGNAL CONTROLLED INTERSECTION
- YIELD MARKINGS PER CALTRANS STANDARD PLANS A24E
- PARKING STALL "TEE" PER CITY OF OAKLAND STANDARD DETAIL M-11
- CA MUTCD DETAIL NO. AND QUANTITY
- FIRE HYDRANT RETROREFLECTIVE MARKER
- PAVEMENT MARKINGS PER CALTRANS STANDARD PLANS A24D AND A24E
- PARKING METER (E T-2.1)

**CONSTRUCTION NOTES:**

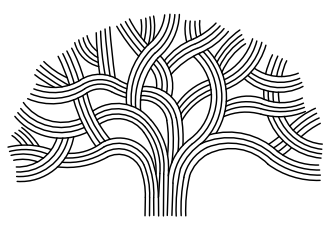
- 1. INSTALL CONTINENTAL CROSSWALK PER CITY OF OAKLAND STANDARD DETAIL M-4A (STAGGERED SPACING) AND M-4B
- 2. INSTALL 1' WIDE WHITE THERMOPLASTIC STRIPING 8' FROM CROSSWALK UNLESS OTHERWISE NOTED
- 3. INSTALL BLUE CURB
- 4. INSTALL BIKE LANE INTERSECTION MARKING DETAIL PER CITY OF OAKLAND DETAIL G-4
- 5. INSTALL CA MUTCD R1-5 SIGN
- 6. INSTALL CA MUTCD R99C (CA) SIGN
- 7. INSTALL CA MUTCD R81 (CA) SIGN

**GENERAL NOTES:**

1. THE CONTRACTOR SHALL RESTORE OR REPLACE ALL EXISTING IMPROVEMENTS DISTURBED DURING CONSTRUCTION INCLUDING BUT NOT LIMITED TO STREET STRIPING, LANDSCAPING AND SIGNS.
2. NEW STRIPING SHALL NOT BE PLACED UNTIL CAT-TRACK APPROVED BY THE CITY OF OAKLAND. EXACT LOCATION OF STRIPING AND PAVEMENT MARKINGS SHALL BE APPROVED BY THE CITY PRIOR TO PAINTING OR INSTALLATION.



**TELEGRAPH AVENUE COMPLETE STREET PROJECT**



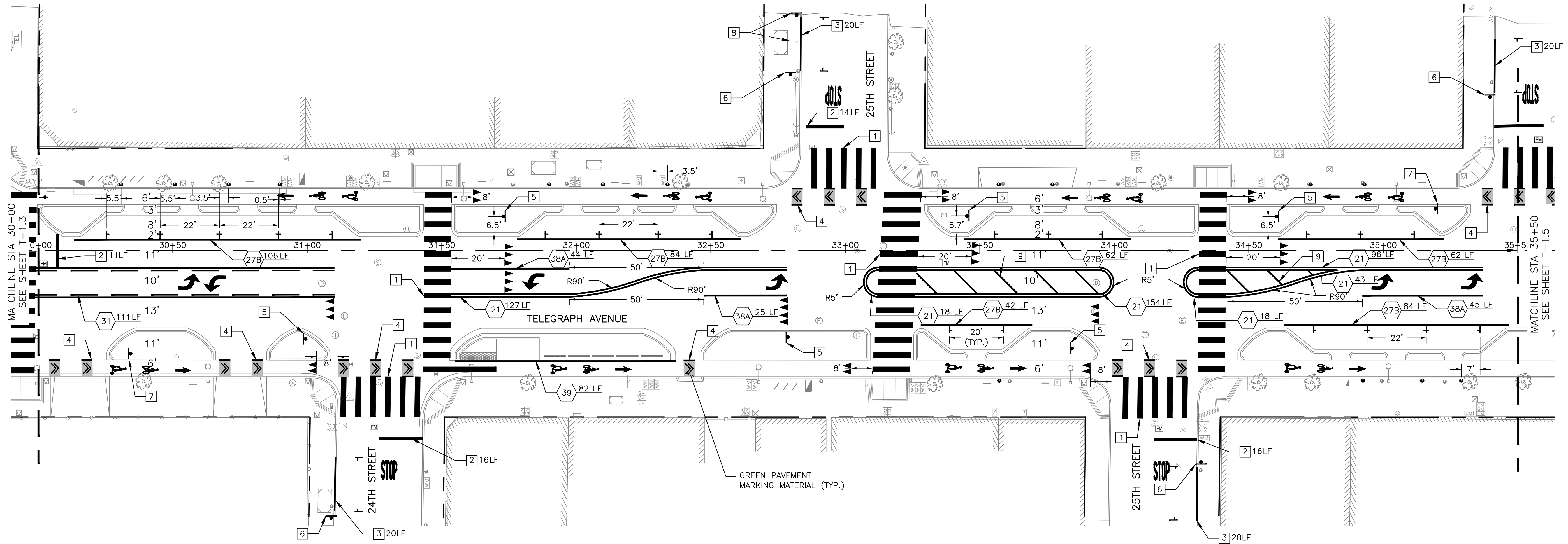
**CITY OF OAKLAND**  
 DEPARTMENT OF TRANSPORTATION  
 250 FRANK H. OGAWA PLAZA, SUITE 4314 • OAKLAND CA, 94612  
 (510) 238-3437 • FAX (510) 238-7227

CIVIL ENGINEER SI LAU	NO.	DATE	BY	REFERENCE
RCE NO. C57390				
CHECKED BY ES				
DESIGNED BY DA				
DRAWN BY DA				

**CONSTRUCTION PLAN**  
 SIGNING & STRIPING PLAN  
 STA 25+50 TO STA 30+00

PROJECT NO. <b>1003233</b>	
SCALE: 1" = 20'	SHEET NO. <b>T-1.3</b>
DATE: NOVEMBER 16, 2020	52 OF 87

DRAWING NAME: P:\Great Streets Delivery\PROJECTS\CSD\1.ACTIVE\1003233 - Telegraph Ave Complete Streets (NO)2.DESIGN\6. Final\1. Plans\1. CAD\T-1.3.dwg  
 PLOTTED BY: wangjg



**LEGEND:**

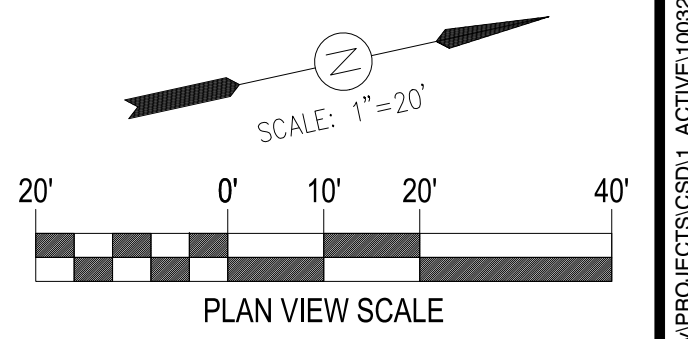
- SCOOTER AND BIKE PAVEMENT MARKING (C/T-2.1)
- FIRE HYDRANT RETROREFLECTIVE MARKER
- BIKE DETECTOR SYMBOL PER CITY OF OAKLAND STANDARD DETAIL M-3
- PROPOSED TRAFFIC SIGN AND POST
- ARROW TYPE IV (L/R) PER CALTRANS STANDARD PLANS A24A
- TRAFFIC SIGNAL CONTROLLED INTERSECTION
- YIELD MARKINGS PER CALTRANS STANDARD PLANS A24E
- PARKING STALL "TEE" PER CITY OF OAKLAND STANDARD DETAIL M-11
- CA MUTCD DETAIL NO. AND QUANTITY
- STOP PAVEMENT MARKINGS PER CALTRANS STANDARD PLANS A24D AND A24E
- PARKING METER (E/T-2.1)

**CONSTRUCTION NOTES:**

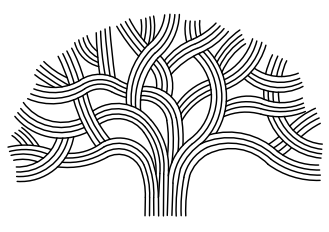
1. INSTALL CONTINENTAL CROSSWALK PER CITY OF OAKLAND STANDARD DETAIL M-4A (STAGGERED SPACING) AND M-4B
2. INSTALL 1' WIDE WHITE THERMOPLASTIC STRIPING 8' FROM CROSSWALK UNLESS OTHERWISE NOTED
3. INSTALL BLUE CURB
4. INSTALL BIKE LANE INTERSECTION MARKING DETAIL PER CITY OF OAKLAND DETAIL G-4
5. INSTALL CA MUTCD R1-5 SIGN
6. INSTALL CA MUTCD R99C (CA) SIGN
7. INSTALL CA MUTCD R81 (CA) SIGN
8. RELOCATE SIGN
9. INSTALL 6" YELLOW STRIPE EVERY 15 FT O.C. AT 45 DEGREES

**GENERAL NOTES:**

1. THE CONTRACTOR SHALL RESTORE OR REPLACE ALL EXISTING IMPROVEMENTS DISTURBED DURING CONSTRUCTION INCLUDING BUT NOT LIMITED TO STREET STRIPING, LANDSCAPING AND SIGNS.
2. NEW STRIPING SHALL NOT BE PLACED UNTIL CAT-TRACK APPROVED BY THE CITY OF OAKLAND. EXACT LOCATION OF STRIPING AND PAVEMENT MARKINGS SHALL BE APPROVED BY THE CITY PRIOR TO PAINTING OR INSTALLATION.



**TELEGRAPH AVENUE COMPLETE STREET PROJECT**



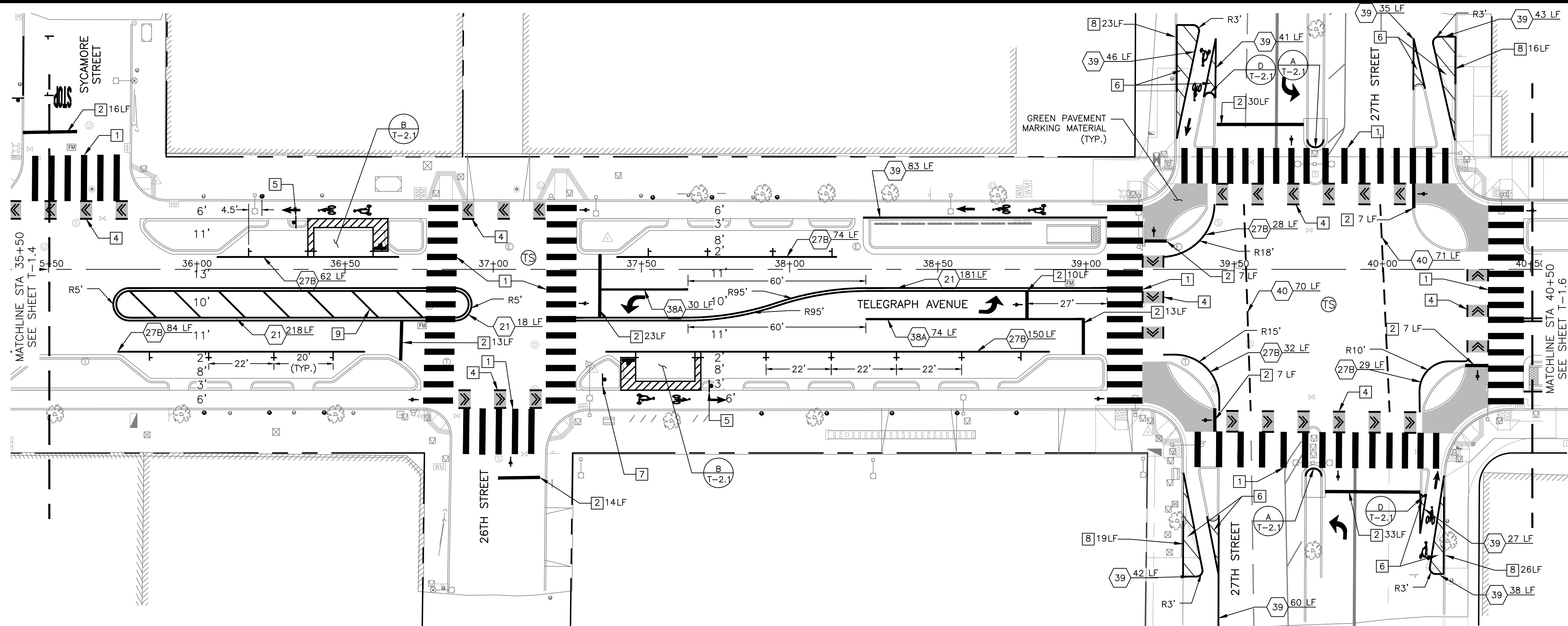
**CITY OF OAKLAND**  
DEPARTMENT OF TRANSPORTATION  
250 FRANK H. OGAWA PLAZA, SUITE 4314 • OAKLAND CA, 94612  
(510) 238-3437 • FAX (510) 238-7227

CIVIL ENGINEER SI LAU	NO.	DATE	BY	REFERENCE
RCE NO. C57390				
CHECKED BY ES				
DESIGNED BY DA				
DRAWN BY DA				

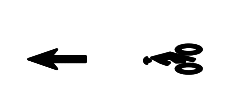









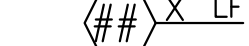
**CONSTRUCTION PLAN**  
SIGNING & STRIPING PLAN  
STA 30+00 TO STA 35+50

PROJECT NO. <b>1003233</b>	
SCALE: 1" = 20'	SHEET NO. <b>T-1.4</b>
DATE: NOVEMBER 16, 2020	53 OF 87

DRAWING NAME: P:\Great Streets Delivery\PROJECTS\CSD\1. ACTIVE\1003233 - Telegraph Ave Complete Streets (NO)2. DESIGNS. Final1. Plans1. CADD\T-1.4.dwg  
PLOT DATE: 11-16-20  
PLOTTED BY: wangjg



**LEGEND:**

- 
SCOOTER AND BIKE PAVEMENT MARKING

FIRE HYDRANT RETROREFLECTIVE MARKER
- 
BIKE DETECTOR SYMBOL PER CITY OF OAKLAND STANDARD DETAIL M-3

PAVEMENT MARKINGS PER CALTRANS STANDARD PLANS A24D AND A24E
- 
PROPOSED TRAFFIC SIGN AND POST

PARKING METER
- 
ARROW TYPE IV (L/R) PER CALTRANS STANDARD PLANS A24A
- 
TRAFFIC SIGNAL CONTROLLED INTERSECTION
- 
YIELD MARKINGS PER CALTRANS STANDARD PLANS A24E
- 
PARKING STALL "TEE" PER CITY OF OAKLAND STANDARD DETAIL M-11
- 
CA MUTCD DETAIL NO. AND QUANTITY

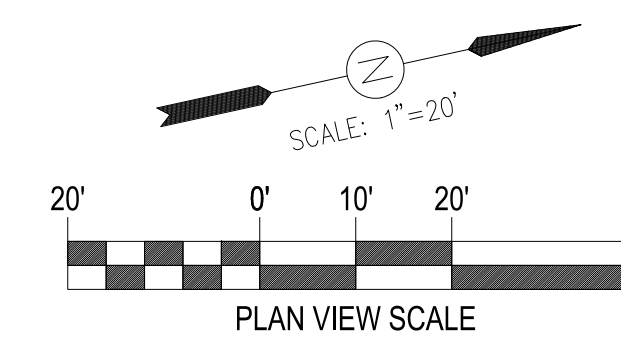
**CONSTRUCTION NOTES:**

- 1 INSTALL CONTINENTAL CROSSWALK PER CITY OF OAKLAND STANDARD DETAIL M-4A (STAGGERED SPACING) AND M-4B
- 2 INSTALL 1' WIDE WHITE THERMOPLASTIC STRIPING 8' FROM CROSSWALK UNLESS OTHERWISE NOTED
- 3 INSTALL BLUE CURB
- 4 INSTALL BIKE LANE INTERSECTION MARKING DETAIL PER CITY OF OAKLAND DETAIL G-4
- 5 INSTALL CA MUTCD R99C (CA) SIGN
- 6 INSTALL 6" WHITE STRIPE EVERY 15 FT O.C. AT 45 DEGREES
- 7 INSTALL CA MUTCD R81 (CA) SIGN
- 8 INSTALL RED CURB
- 9 INSTALL 6" YELLOW STRIPE EVERY 15 FT O.C. AT 45 DEGREES

**GENERAL NOTES:**

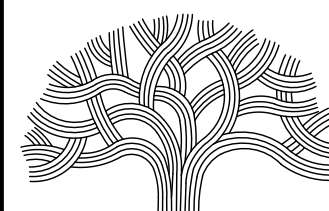
1. THE CONTRACTOR SHALL RESTORE OR REPLACE ALL EXISTING IMPROVEMENTS DISTURBED DURING CONSTRUCTION INCLUDING BUT NOT LIMITED TO STREET STRIPING, LANDSCAPING AND SIGNS.
2. NEW STRIPING SHALL NOT BE PLACED UNTIL CAT-TRACK APPROVED BY THE CITY OF OAKLAND. EXACT LOCATION OF STRIPING AND PAVEMENT MARKINGS TO BE APPROVED BY THE CITY PRIOR TO PAINTING OR INSTALLATION.

EMBRACE ORTHOTICS  
2710 TELEGRAPH AVE  
OAKLAND, CA 94612



SUPERVISING CIVIL ENGINEER

**TELEGRAPH AVENUE COMPLETE STREET PROJECT**



**CITY OF OAKLAND**

DEPARTMENT OF TRANSPORTATION  
250 FRANK H. OGAWA PLAZA, SUITE 4314 • OAKLAND CA, 94612  
(510) 238-3437 • FAX (510) 238-7227

CIVIL ENGINEER  
**SI LAU**

RCE NO. C57390

CHECKED BY ES

DESIGNED BY DA

DRAWN BY DA

NO.	DATE	BY	REFERENCE

**CONSTRUCTION PLAN**

SIGNING & STRIPING PLAN  
STA 35+50 TO STA 40+50

PROJECT NO.

**1003233**

SCALE:

1" = 20'

DATE:

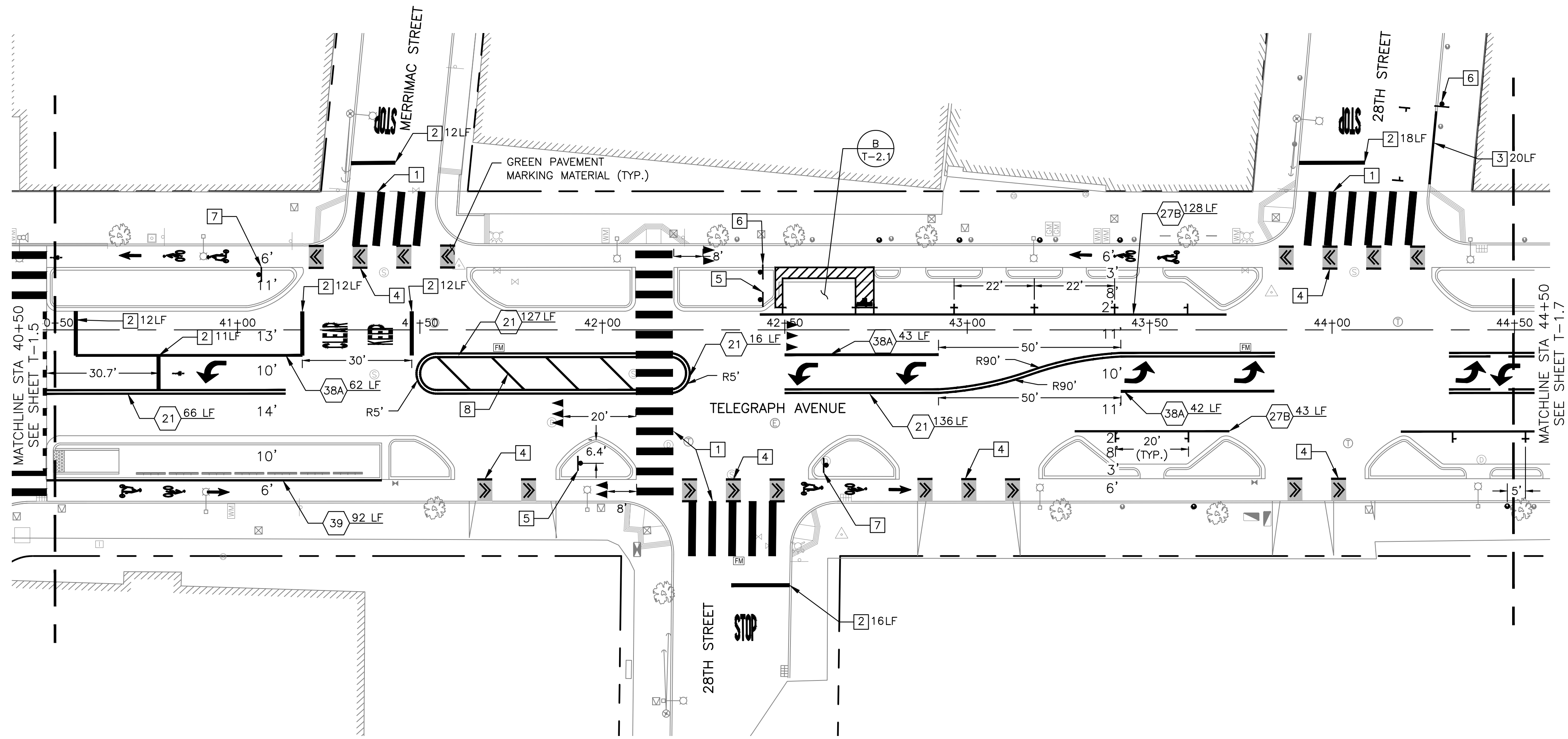
NOVEMBER 16, 2020

SHEET NO.

**T-1.5**

54 OF 87

DRAWING NAME: P:\Great Streets Delivery\PROJECTS\CSD\1.ACTIVE\1003233 - Telegraph Ave Complete Streets (NO)2.DESIGN\6. Final\1. Plans\1. CAD\T-1.5.dwg  
PLOT DATE: 11-16-20  
PLOTTED BY: wangjg



LEGEND:

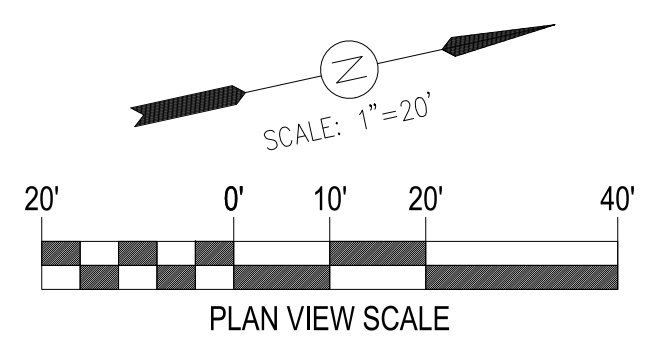
- SCOOTER AND BIKE PAVEMENT MARKING (C T-2.1)
- BIKE DETECTOR SYMBOL PER CITY OF OAKLAND STANDARD DETAIL M-3
- PROPOSED TRAFFIC SIGN AND POST
- ARROW TYPE IV (L/R) PER CALTRANS STANDARD PLANS A24A
- TRAFFIC SIGNAL CONTROLLED INTERSECTION
- YIELD MARKINGS PER CALTRANS STANDARD PLANS A24E
- PARKING STALL "TEE" PER CITY OF OAKLAND STANDARD DETAIL M-11
- CA MUTCD DETAIL NO. AND QUANTITY
- FIRE HYDRANT RETROREFLECTIVE MARKER
- PAVEMENT MARKINGS PER CALTRANS STANDARD PLANS A24D AND A24E
- PARKING METER (E T-2.1)

CONSTRUCTION NOTES:

- 1. INSTALL CONTINENTAL CROSSWALK PER CITY OF OAKLAND STANDARD DETAIL M-4A (STAGGERED SPACING) AND M-4B
- 2. INSTALL 1' WIDE WHITE THERMOPLASTIC STRIPING 8' FROM CROSSWALK UNLESS OTHERWISE NOTED
- 3. INSTALL BLUE CURB
- 4. INSTALL BIKE LANE INTERSECTION MARKING DETAIL PER CITY OF OAKLAND DETAIL G-4
- 5. INSTALL CA MUTCD R1-5 SIGN
- 6. INSTALL CA MUTCD R99C (CA) SIGN
- 7. INSTALL CA MUTCD R81 (CA) SIGN
- 8. INSTALL 6" YELLOW STRIPE EVERY 15 FT O.C. AT 45 DEGREES

GENERAL NOTES:

- 1. THE CONTRACTOR SHALL RESTORE OR REPLACE ALL EXISTING IMPROVEMENTS DISTURBED DURING CONSTRUCTION INCLUDING BUT NOT LIMITED TO STREET STRIPING, LANDSCAPING AND SIGNS.
- 2. NEW STRIPING SHALL NOT BE PLACED UNTIL CAT-TRACK APPROVED BY THE CITY OF OAKLAND. EXACT LOCATION OF STRIPING AND PAVEMENT MARKINGS TO BE APPROVED BY THE CITY PRIOR TO PAINTING OR INSTALLATION.



**TELEGRAPH AVENUE COMPLETE STREET PROJECT**

**CITY OF OAKLAND**  
 DEPARTMENT OF TRANSPORTATION  
 250 FRANK H. OGAWA PLAZA, SUITE 4314 • OAKLAND CA, 94612  
 (510) 238-3437 • FAX (510) 238-7227

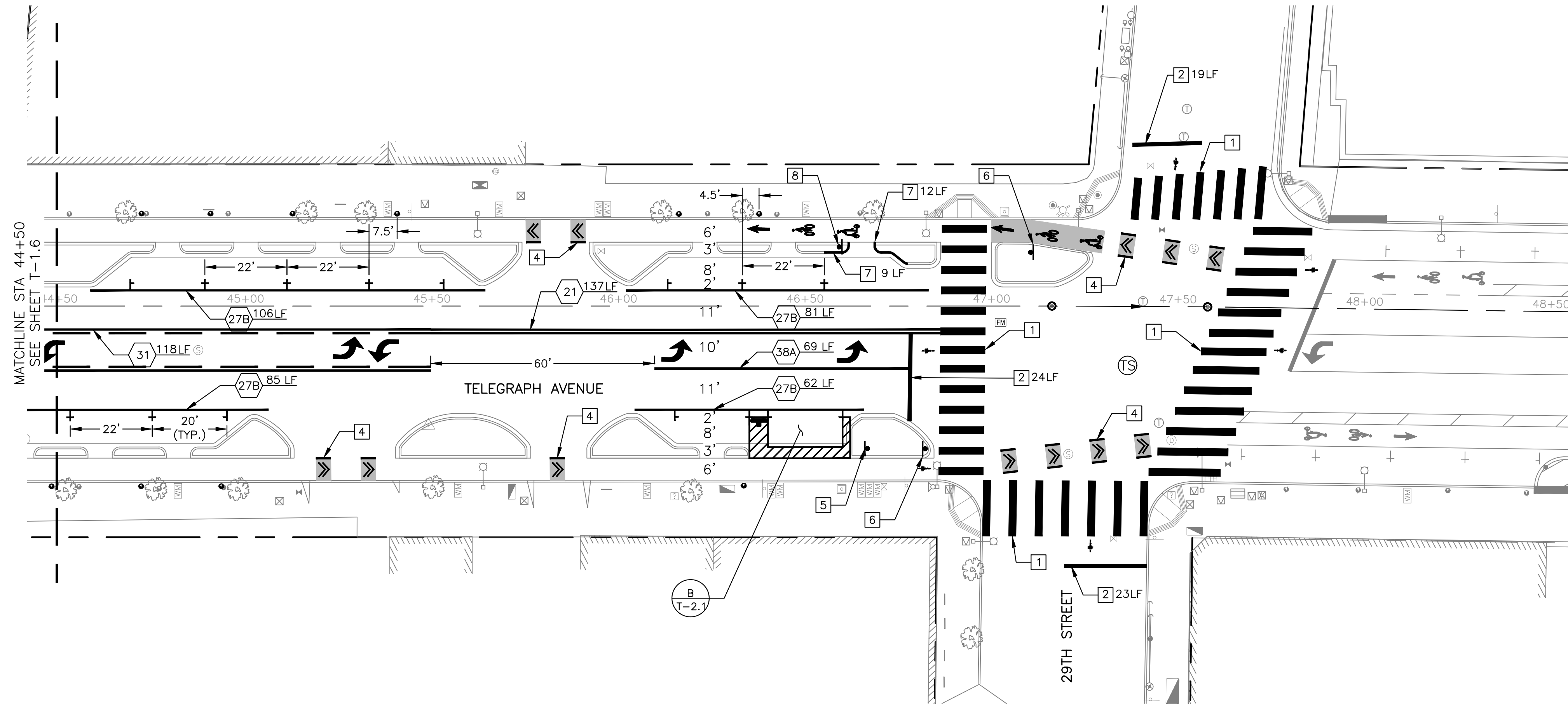
CIVIL ENGINEER	NO.	DATE	BY	REFERENCE
SI LAU				
RCE NO. C57390				
CHECKED BY ES				
DESIGNED BY DA				
DRAWN BY DA				

**CONSTRUCTION PLAN**

SIGNING & STRIPING PLAN  
 STA 40+50 TO STA 44+50

PROJECT NO.	
<b>1003233</b>	
SCALE: 1" = 20'	SHEET NO. <b>T-1.6</b>
DATE: NOVEMBER 16, 2020	55 OF 87

DRAWING NAME: P:\Great Streets Delivery\PROJECTS\CSD\1. ACTIVE\1003233 - Telegraph Ave Complete Streets (NO)2.DESIGN\6. Final\1. Plans\1. CAD\T-1.6.dwg  
 PLOTTED BY: wangjg



**LEGEND:**

- SCOOTER AND BIKE PAVEMENT MARKING (C/T-2.1)
- BIKE DETECTOR SYMBOL PER CITY OF OAKLAND STANDARD DETAIL M-3
- PROPOSED TRAFFIC SIGN AND POST
- ARROW TYPE IV (L/R) PER CALTRANS STANDARD PLANS A24A
- TRAFFIC SIGNAL CONTROLLED INTERSECTION
- YIELD MARKINGS PER CALTRANS STANDARD PLANS A24E
- PARKING STALL "TEE" PER CITY OF OAKLAND STANDARD DETAIL M-11
- CA MUTCD DETAIL NO. AND QUANTITY

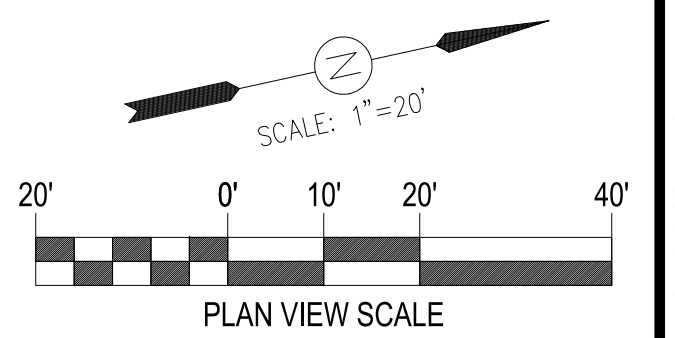
- FIRE HYDRANT RETROREFLECTIVE MARKER
- PARKING METER (E/T-2.1)

**CONSTRUCTION NOTES:**

1. INSTALL YELLOW CONTINENTAL CROSSWALK PER CITY OF OAKLAND STANDARD DETAIL M-4A (STAGGERED SPACING) AND M-4B
2. INSTALL 1' WIDE WHITE THERMOPLASTIC STRIPING 8' FROM CROSSWALK UNLESS OTHERWISE NOTED
3. INSTALL BLUE CURB
4. INSTALL BIKE LANE INTERSECTION MARKING DETAIL PER CITY OF OAKLAND DETAIL G-4
5. INSTALL CA MUTCD R99C (CA) SIGN
6. INSTALL CA MUTCD R81 (CA) SIGN
7. INSTALL WHITE CURB
8. INSTALL CA MUTCD R25C (CA) SIGN

**GENERAL NOTES:**

1. THE CONTRACTOR SHALL RESTORE OR REPLACE ALL EXISTING IMPROVEMENTS DISTURBED DURING CONSTRUCTION INCLUDING BUT NOT LIMITED TO STREET STRIPING, LANDSCAPING AND SIGNS.
2. NEW STRIPING SHALL NOT BE PLACED UNTIL CAT-TRACK APPROVED BY THE CITY OF OAKLAND. EXACT LOCATION OF STRIPING AND PAVEMENT MARKINGS TO BE APPROVED BY THE CITY PRIOR TO PAINTING OR INSTALLATION.



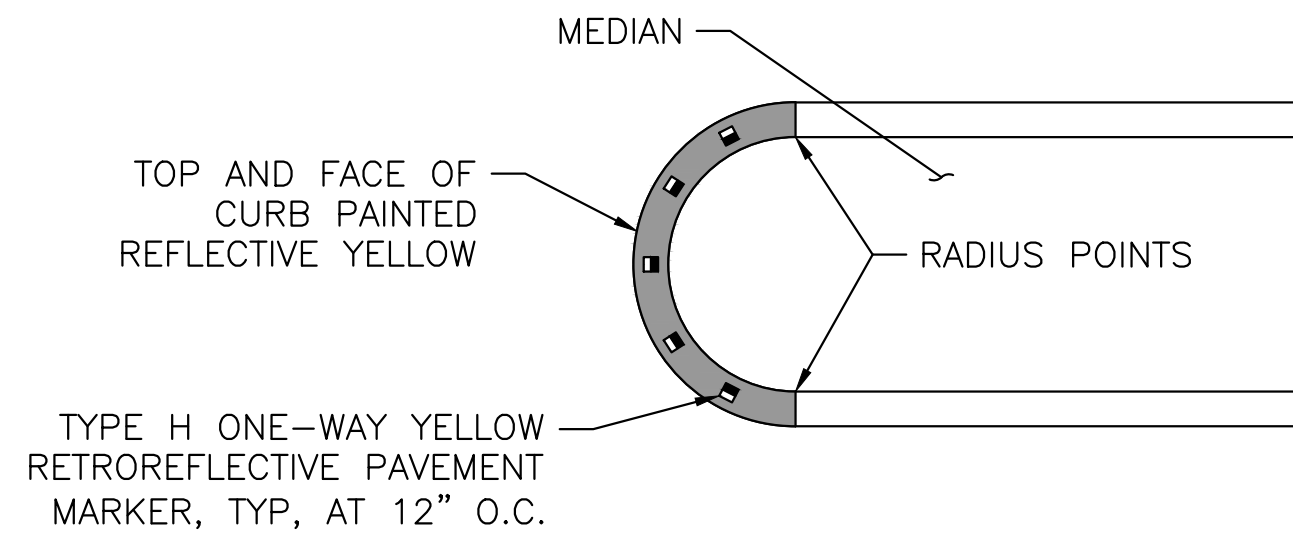
**TELEGRAPH AVENUE COMPLETE STREET PROJECT**

**CITY OF OAKLAND**  
 DEPARTMENT OF TRANSPORTATION  
 250 FRANK H. OGAWA PLAZA, SUITE 4314 • OAKLAND CA, 94612  
 (510) 238-3437 • FAX (510) 238-7227

CIVIL ENGINEER SI LAU RCE NO. C57390	NO.	DATE	BY	REFERENCE
CHECKED BY ES				
DESIGNED BY DA				
DRAWN BY DA				

**CONSTRUCTION PLAN**  
 SIGNING & STRIPING PLAN  
 STA 44+50 TO STA 48+50

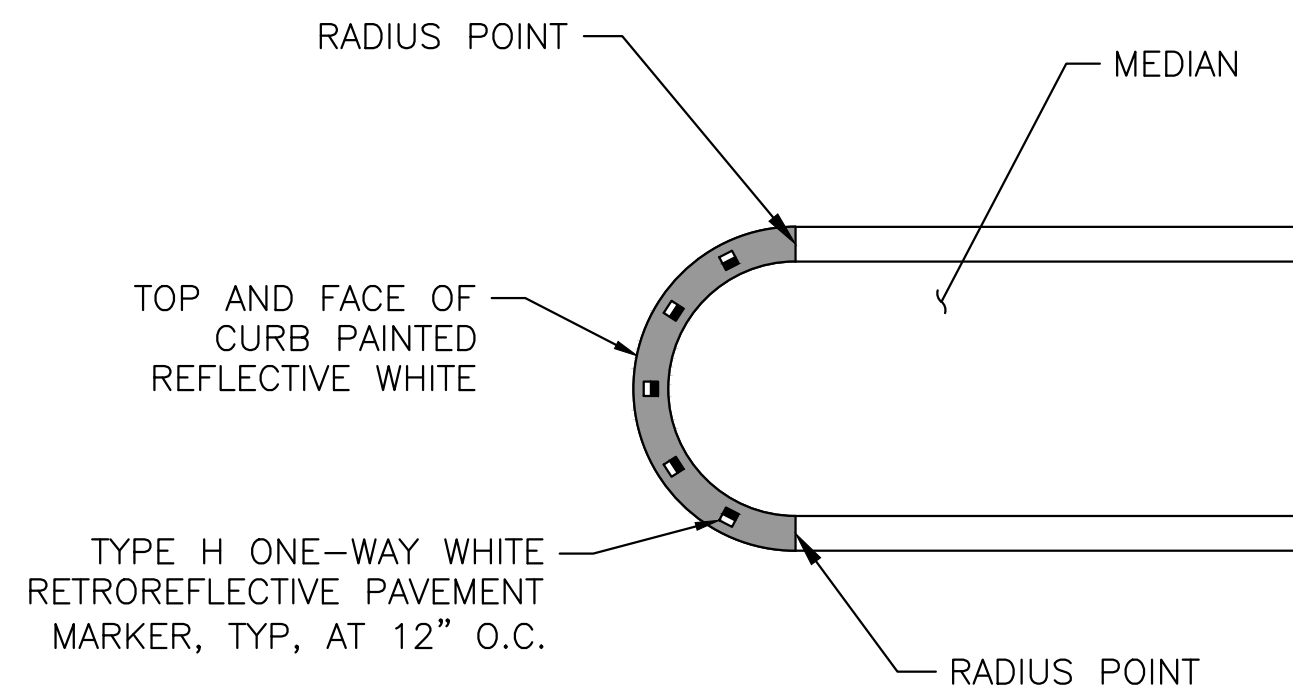
PROJECT NO. <b>1003233</b>	
SCALE: 1" = 20'	SHEET NO. <b>T-1.7</b>
DATE: NOVEMBER 16, 2020	<b>56</b> OF <b>87</b>



**NOTES:**

1. NUMBER OF MARKERS DEPENDENT ON MEDIAN NOSE WIDTH.

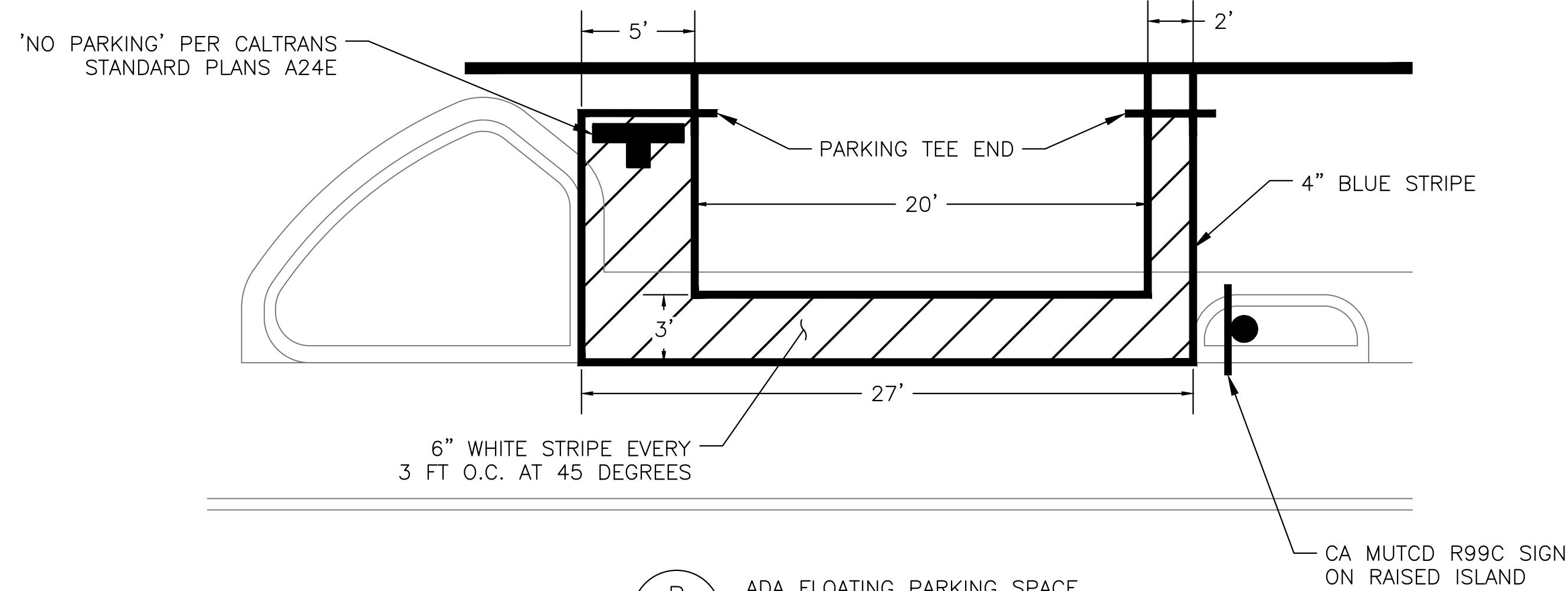
**A** MEDIAN NOSE DETAIL 1  
T-2.1 SCALE: NTS



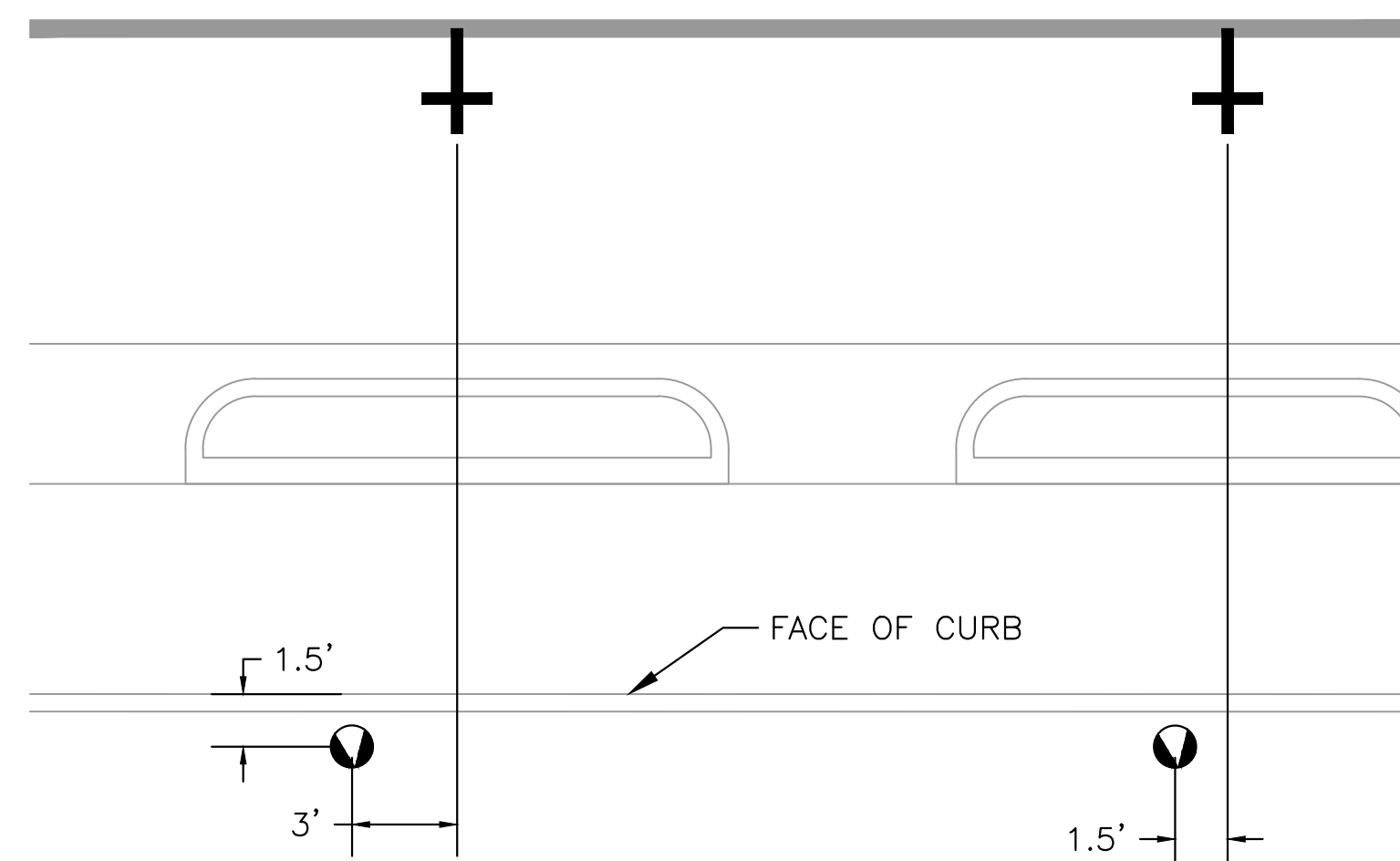
**NOTES:**

1. NUMBER OF MARKERS DEPENDENT ON MEDIAN NOSE WIDTH.

**D** MEDIAN NOSE DETAIL 2  
T-2.1 SCALE: NTS



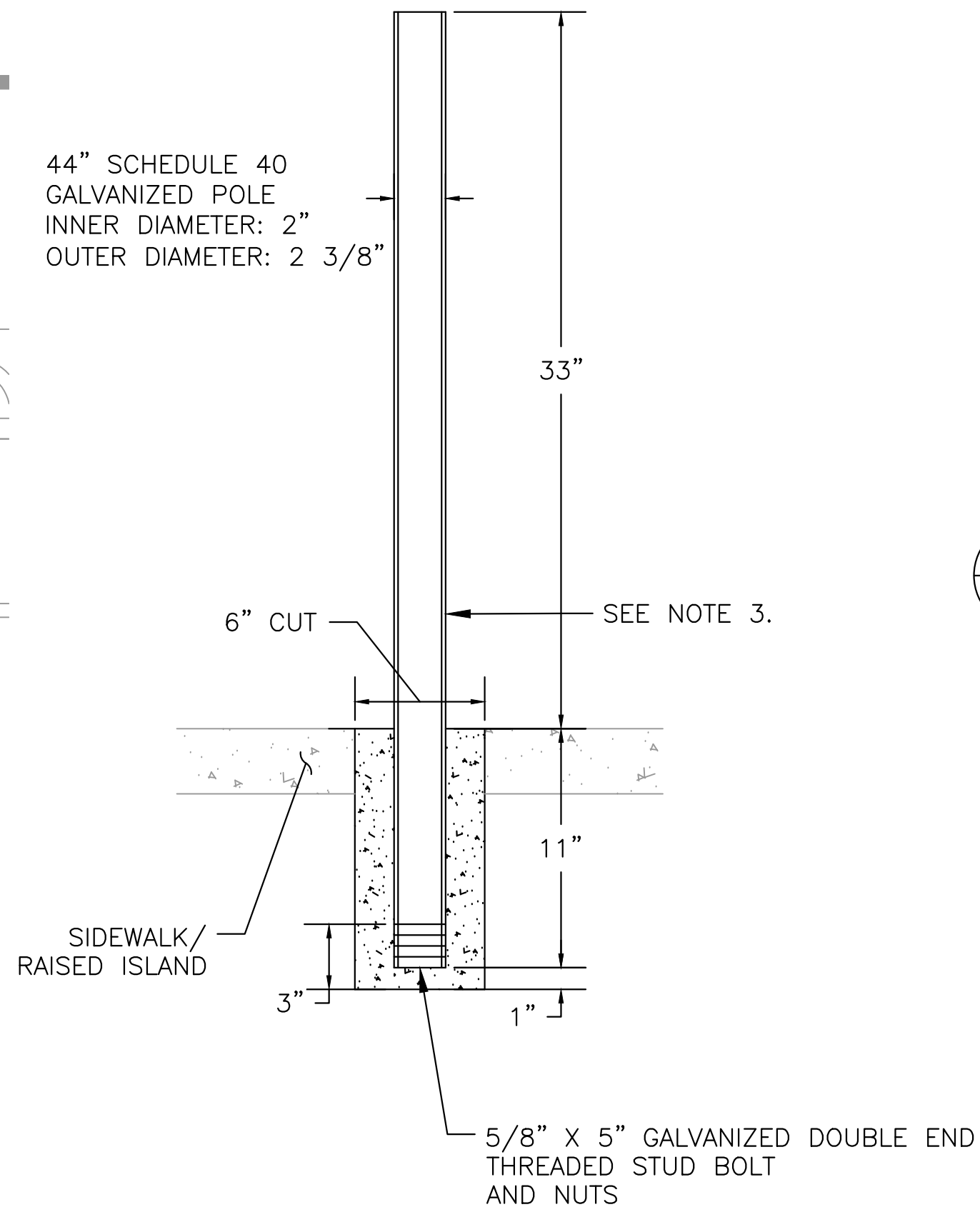
**B** ADA FLOATING PARKING SPACE  
T-2.1 SCALE: 1" = 5'



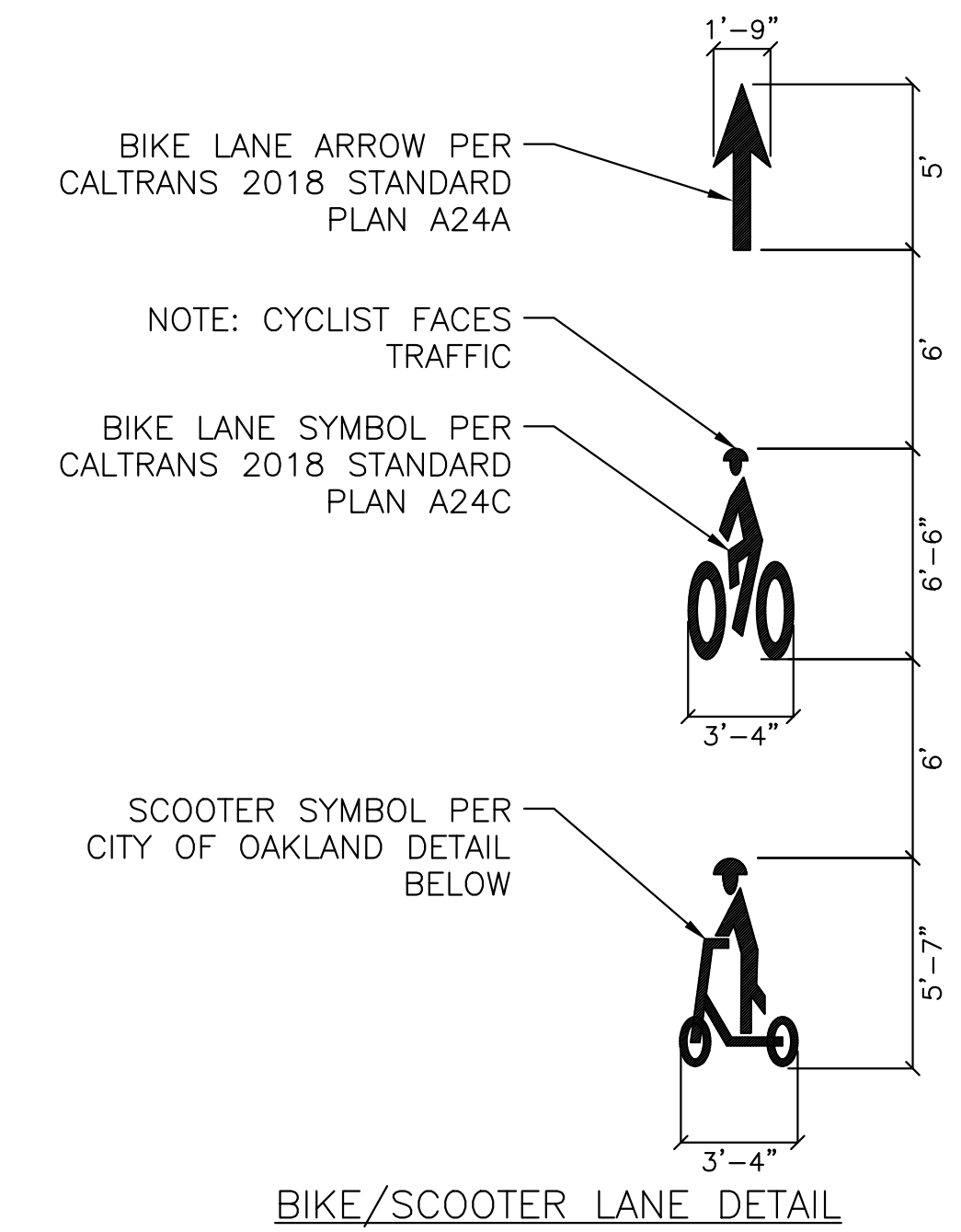
**NOTES:**

1. METER TO BE INSTALLED 1.5 FT TO 3 FT FROM CENTER OF PARKING TEE AND 1.5 FT FROM FACE OF CURB UNLESS OTHERWISE NOTED ON PLANS.
2. METER TO BE CLEAR OF ANY UTILITY COVERS, TREES, AND STREET FURNITURE.
3. 1/2" HOLE TO BE DRILLED INTO (NOT THROUGH) PIPE AT LOCATION NOTED TO RELEASE ANY WATER BUILD-UP AND CREATE AIR CIRCULATION.
4. METER POST LOCATION SHALL BE MARKED AND VERIFIED BY THE CONTRACTOR FOR APPROVAL BY THE CITY PRIOR TO INSTALLATION.
5. METER HEAD REMOVAL AND INSTALLATION SHALL BE PERFORMED BY OTHERS. CONTRACTOR SHALL BE RESPONSIBLE TO COORDINATE WITH ENGINEER PRIOR TO REMOVAL AND INSTALLATION OF METER POST.

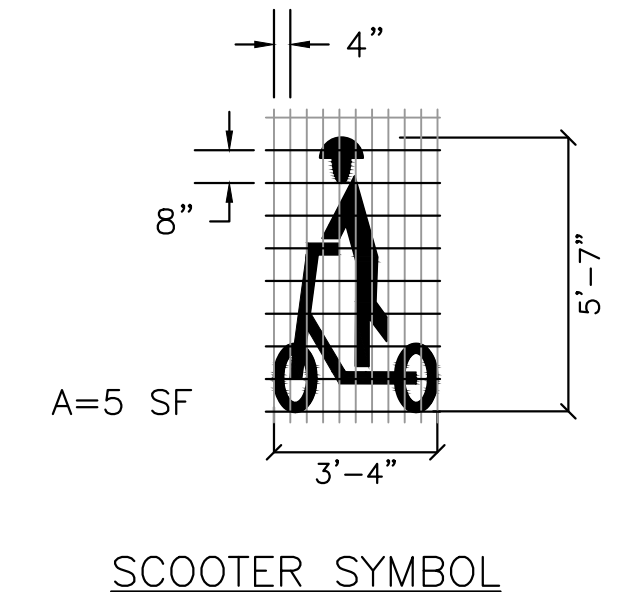
**E** PARKING METER INSTALLATION AND POLE DETAIL  
T-2.1 SCALE: NTS



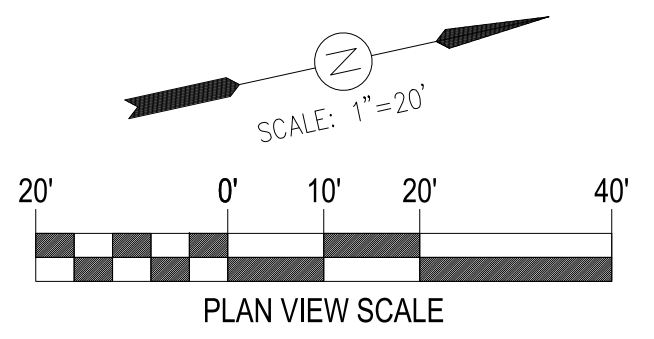
**C** ARROW, BIKE, SCOOTER DETAIL  
T-2.1 SCALE: NTS



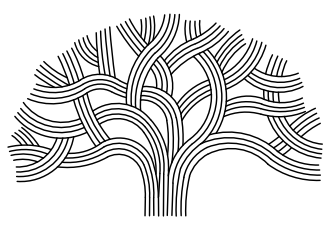
BIKE/SCOOTER LANE DETAIL



SCOOTER SYMBOL



**TELEGRAPH AVENUE COMPLETE STREET PROJECT**



**CITY OF OAKLAND**  
DEPARTMENT OF TRANSPORTATION  
250 FRANK H. OGAWA PLAZA, SUITE 4314 • OAKLAND CA, 94612  
(510) 238-3437 • FAX (510) 238-7227

CIVIL ENGINEER	NO.	DATE	BY	REFERENCE
SI LAU				
RCE NO. C57390				
CHECKED BY ES				
DESIGNED BY DA				
DRAWN BY DA				

**CONSTRUCTION PLAN**  
SIGNING & STRIPING DETAILS

PROJECT NO.  
**1003233**  
SCALE: AS SHOWN  
DATE: NOVEMBER 16, 2020  
SHEET NO.  
**T-2.1**  
57 OF 87

DRAWING NAME: P:\Great Streets Delivery\PROJECTS\CSD\1.ACTIVE\1003233 - Telegraph Ave Complete Streets (NO)2.DESIGN\6. Final\1. Plans\1. CAD\2.1.dwg  
PLOT DATE: 11-16-20  
PLOTTED BY: wang98