

**ATTACHMENT A:**

**Proposed Phase 2 Streets and Infrastructure FDP, dated  
July 22, 2016**





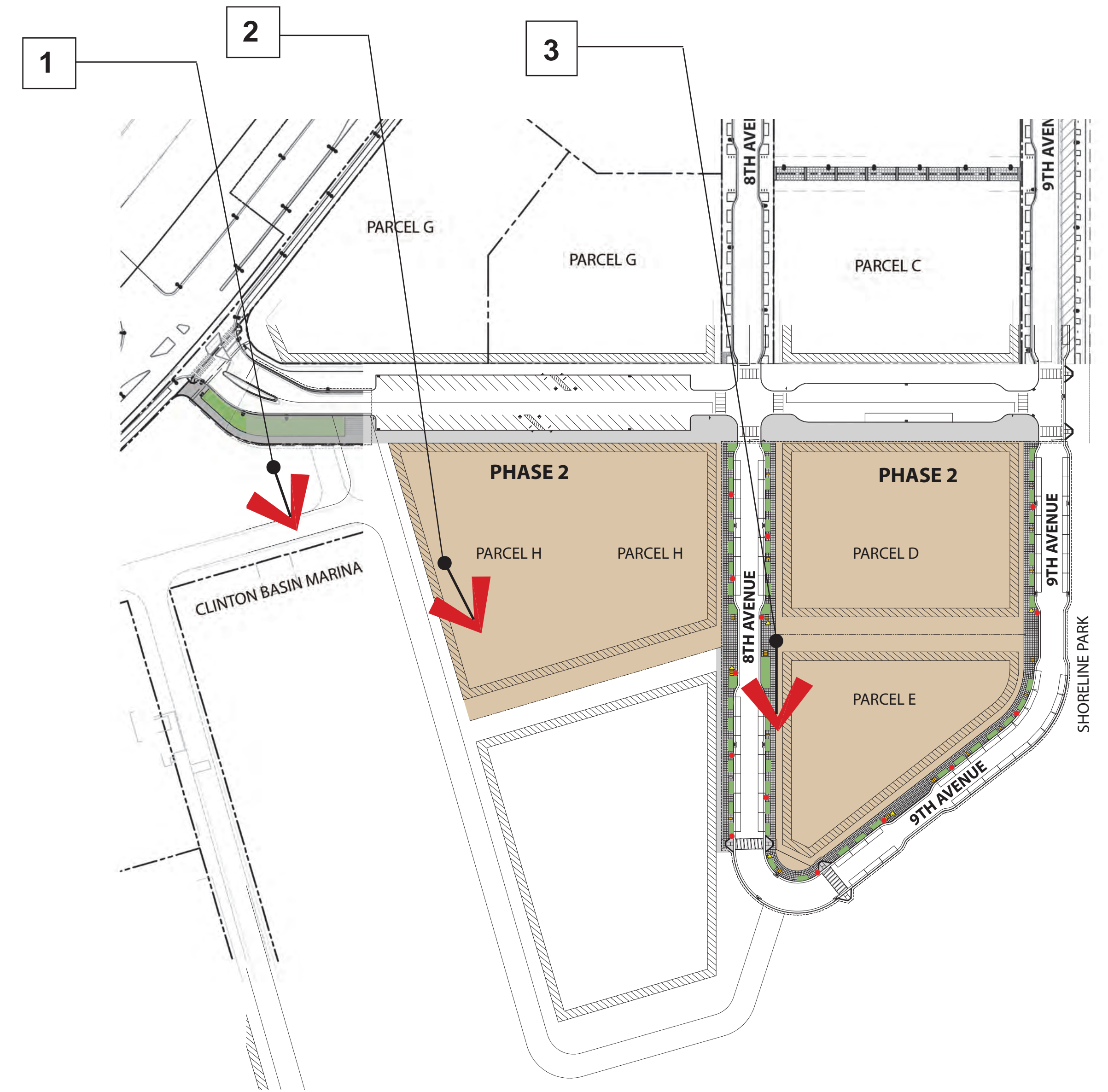
#1



#2



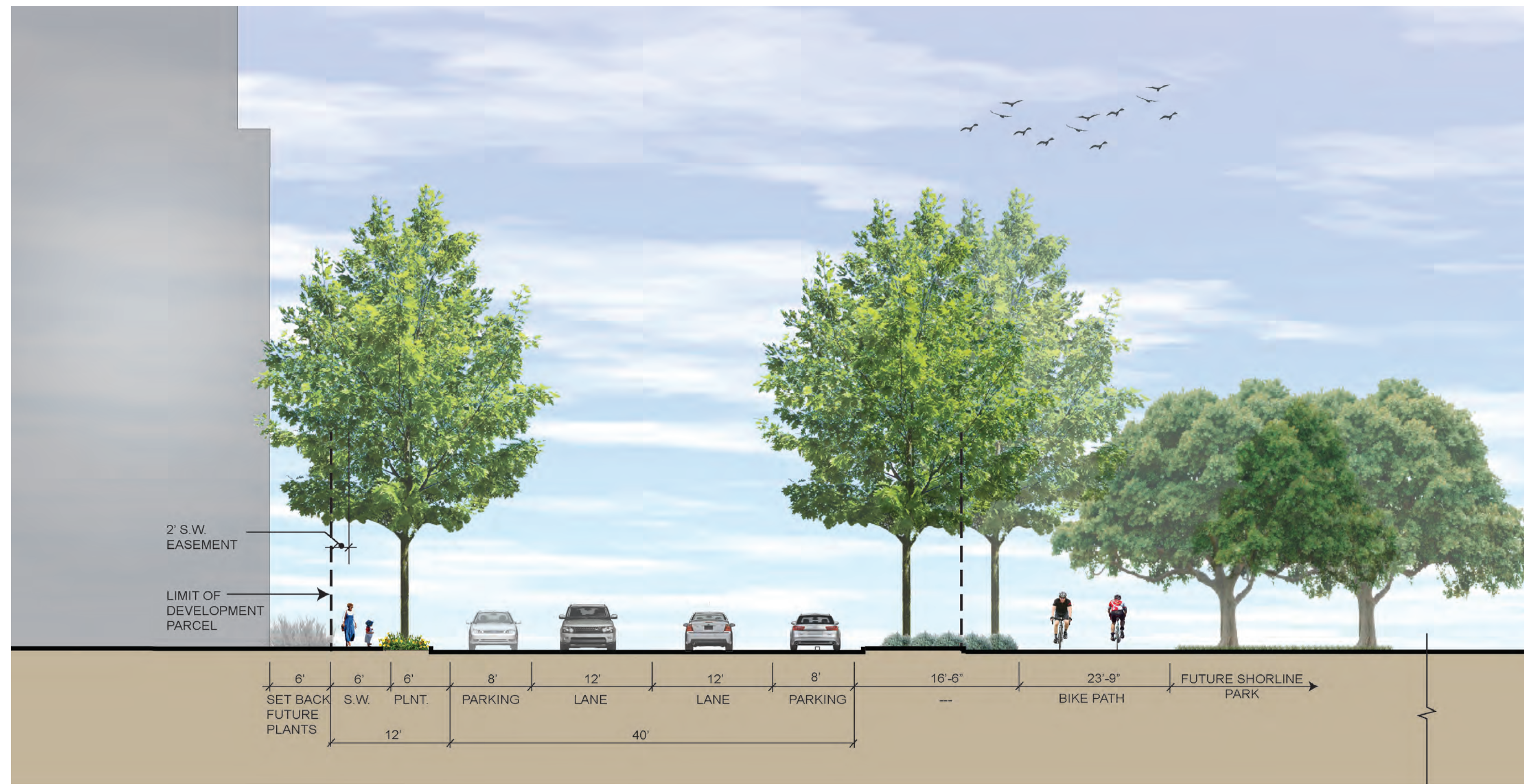
#3



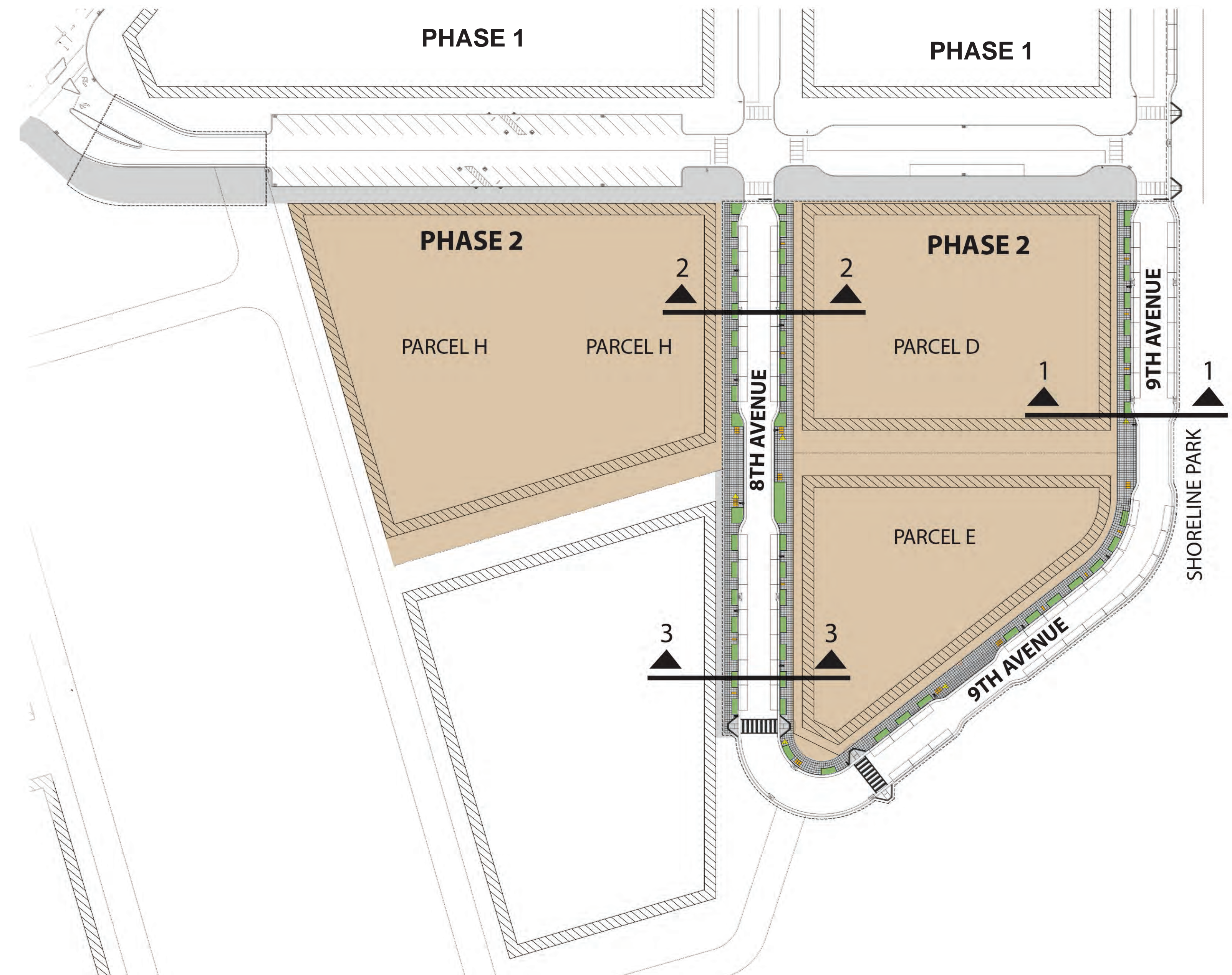
**LEGEND**

●➔ PHOTO VIEW DIRECTION





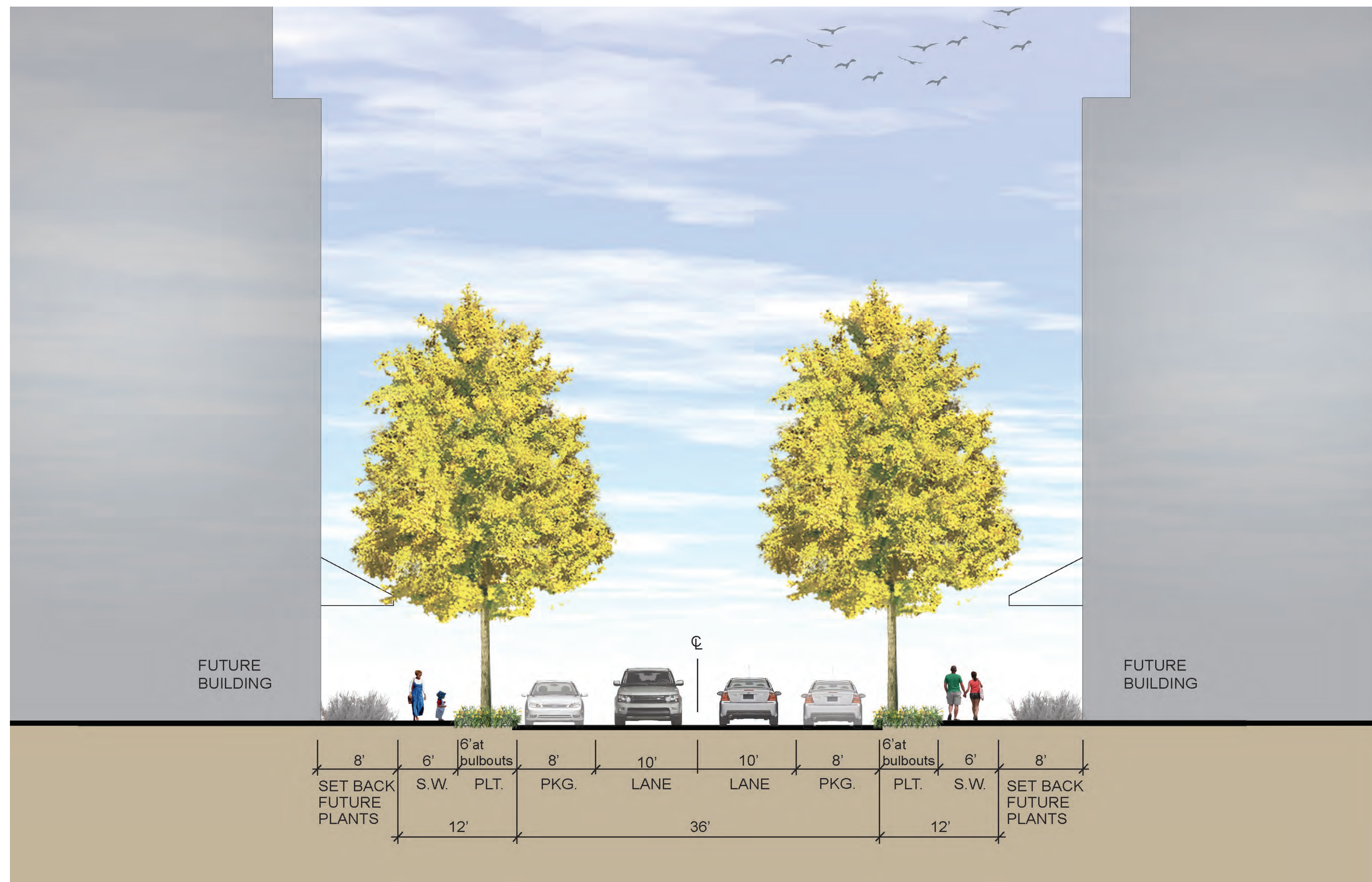
**SECTION 1 - 9TH AVENUE**



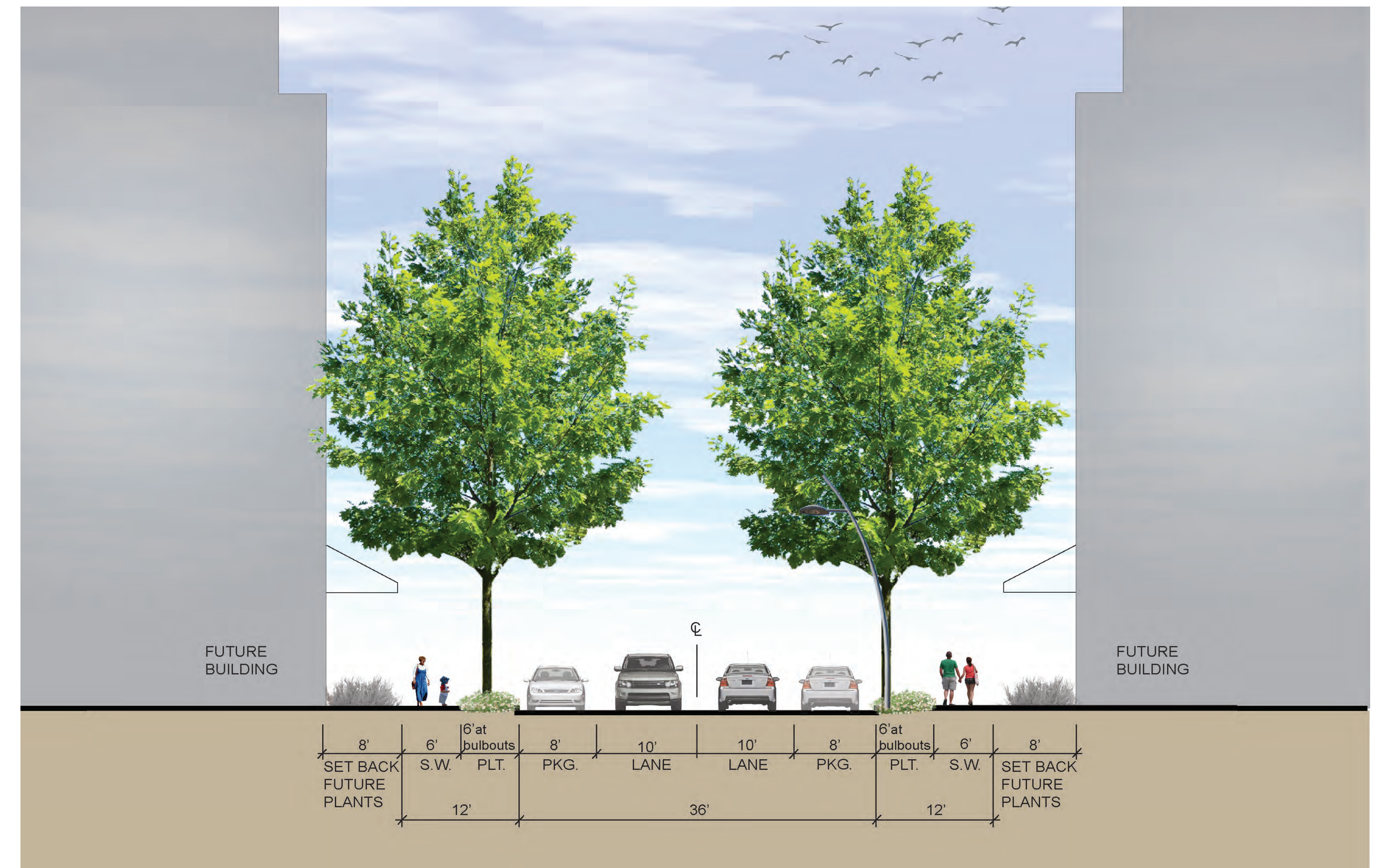
**LEGEND**

-   STREET SECTION
-  PLANTING AREA



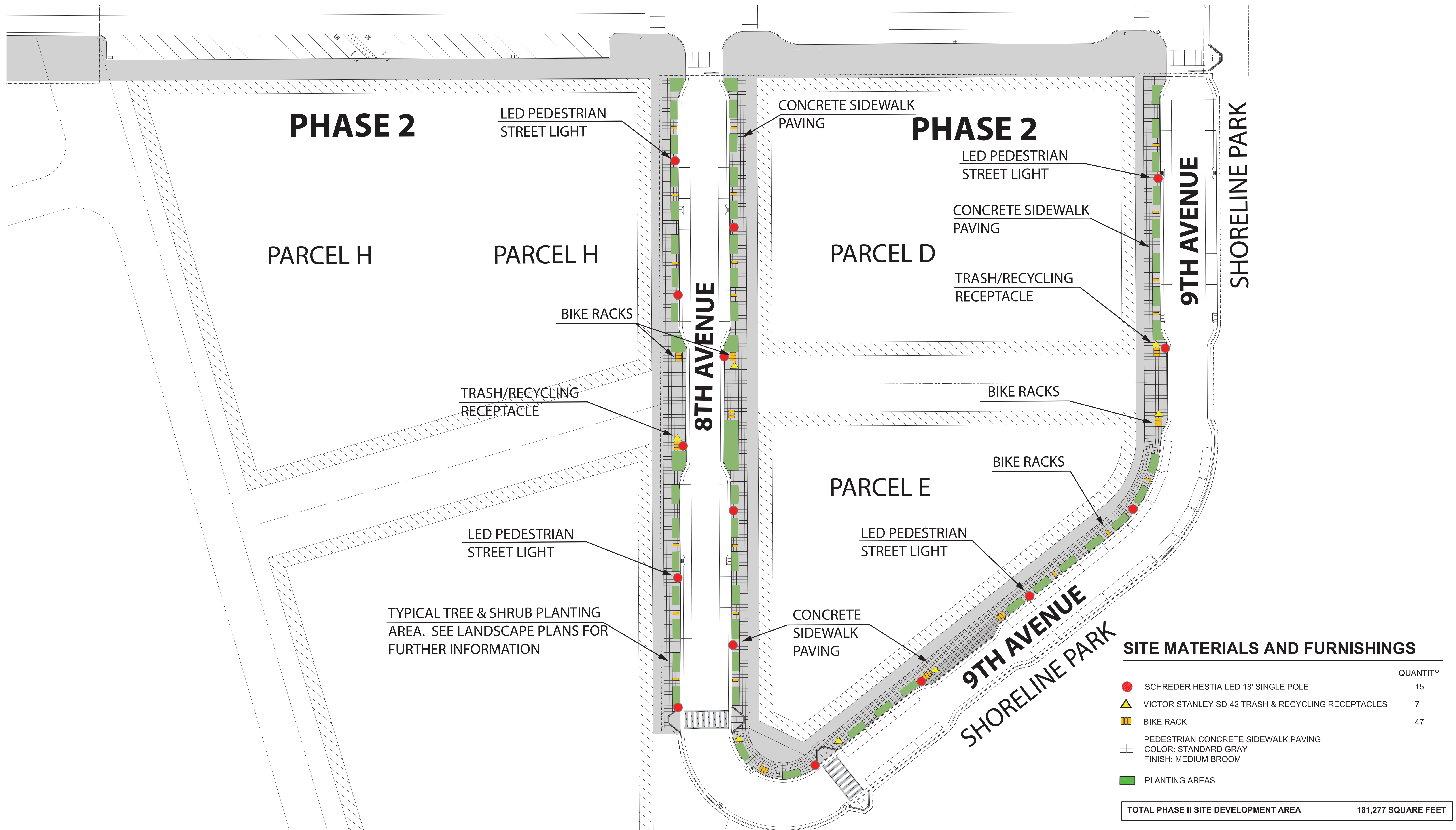


**SECTION 2 - 8TH AVENUE**



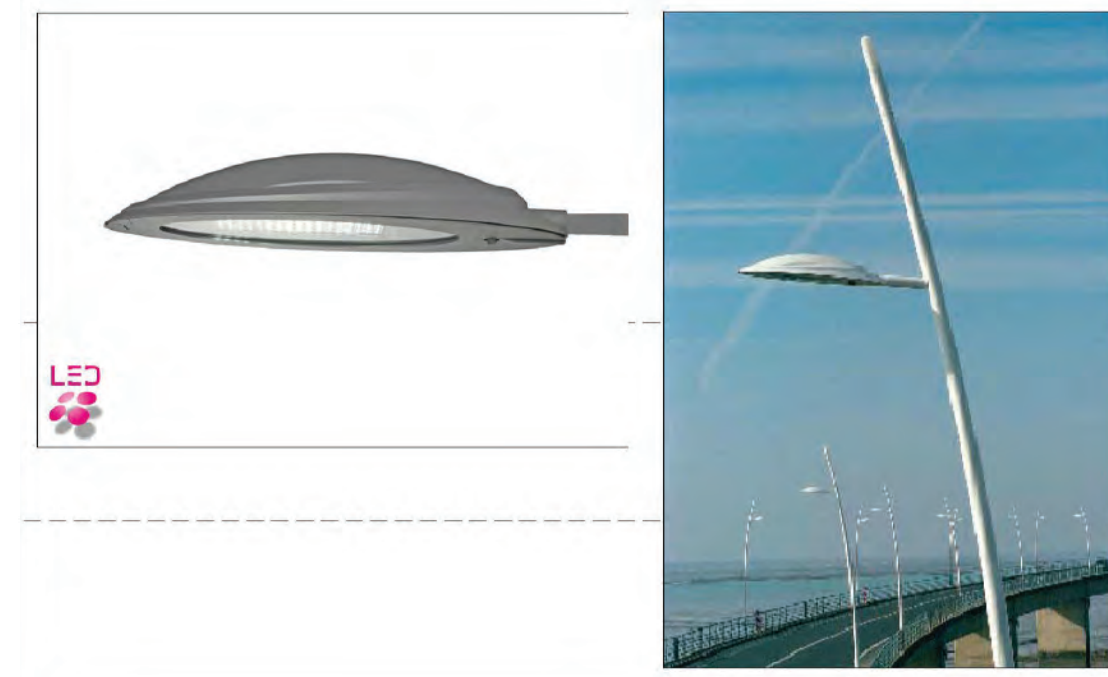
**SECTION 3 - 8TH AVENUE**







**SITE LIGHTING**

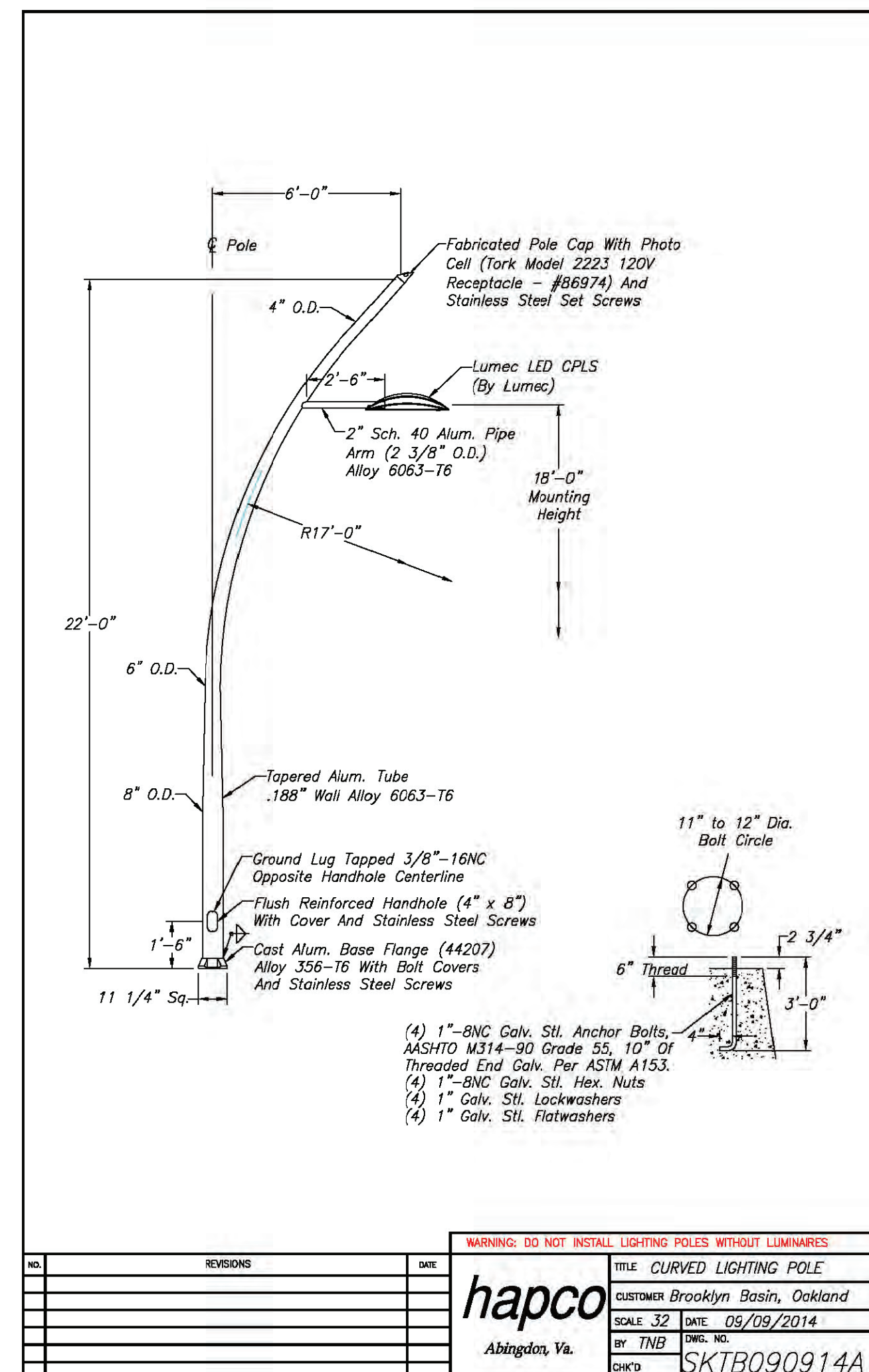


**LED STREET LIGHT**  
 MFR: LUMEC  
 MODEL: CAPELLA CPLS-60W30LED4K-ES-LE3F-120/277V-GY3TX  
 COLOR: SILVER

**PAVING MATERIALS**

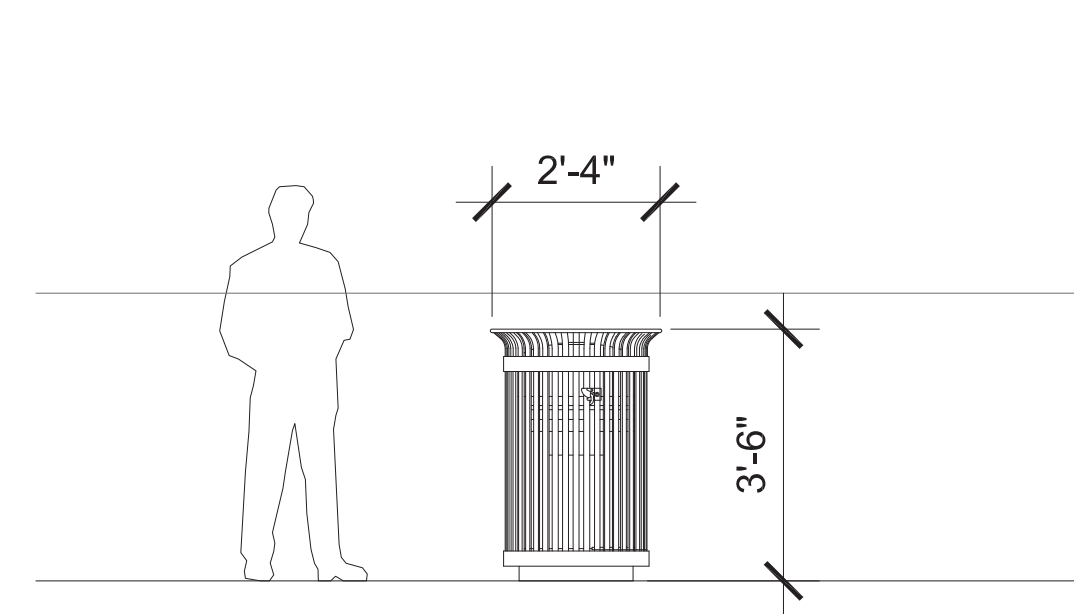


**PEDESTRIAN CONCRETE**  
 SIDEWALK PAVING  
 COLOR: NATURAL GRAY  
 FINISH: MEDIUM BROOM

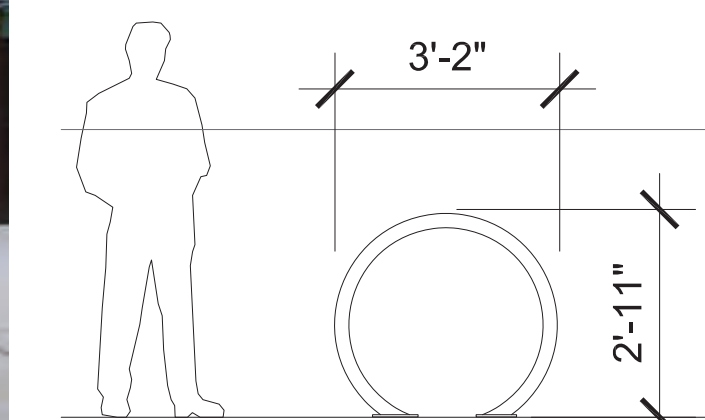


**STREET LIGHT ALUMINUM POLE**  
 MFR: HAPCO  
 MODEL: #B32079  
 COLOR: SILVER

**SITE FURNISHINGS**



**TRASH/RECYCLING RECEPTACLES**  
 VICTOR STANLEY  
 SD-42  
 CONVEX AND RECYCLE LID  
 SURFACE MOUNT  
 WITH LOCK  
 POWDER COAT FINISH  
 COLOR: SILVER



**BIKE RACK**  
 THE PALMER GROUP  
 WELLE SERIES  
 EMBEDDED  
 ADA CROSS BAR  
 SU-20-F-SS-CB  
 GALVANIZED FINISH





*Ginkgo biloba* 'Princeton sentry'  
Maidenhair Tree



October Glory  
Red Oak



*Agapanthus* 'monmid'  
Midnight Blue Agapanthus



*Callistemon viminalis* 'Little John'  
Dwarf Bottlebrush



*Dietes vegeta*  
Fortnight Lily



*Erigeron karvinskianus*  
Fleabane



*Hemerocallis* 'Russian Rhapsody'  
Purple Daylily



*Hemerocallis* 'Yellow'  
Yellow Daylily



*Limonium perezii*  
Sea Lavender



*Phormium* 'Duet'  
New Zealand Flax



*Rhamphiolepis indica* 'ballerina'  
Dwarf Indian Hawthorne